

### Boost + LDO + $V_{ON}$ Slice + $V_{COM}$

The ISL97646 represents an integrated DC/DC regulator for monitor and notebook applications with screen sizes up to 20". The device integrates a boost converter for generating  $A_{VDD}$ , a  $V_{ON}$  slice circuit, an integrated logic LDO and a high performance  $V_{COM}$  amplifier.

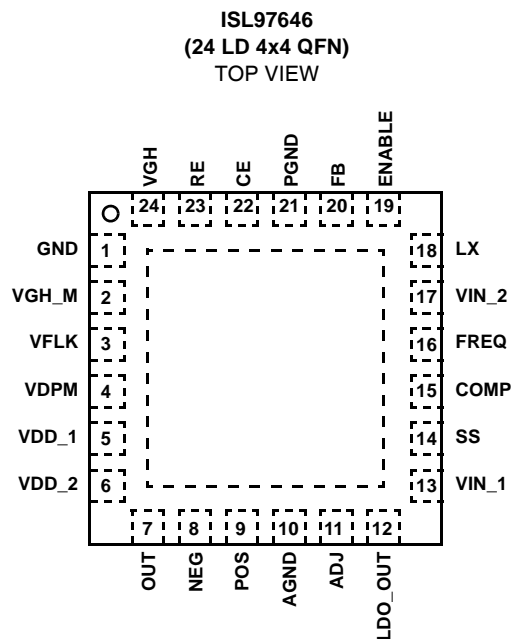
The boost converter features a 2.6A FET and has user programmable soft-start and compensation. With efficiencies up to 92%, the  $A_{VDD}$  is user selectable from 7V to 20V.

The logic LDO includes a 350mA FET for driving the low voltage needed by the external digital circuitry.

The  $V_{ON}$  slice circuit can control gate voltages up to 30V. High and low levels are programmable, as well as discharge rate and timing.

The integrated  $V_{COM}$  features high speed and drive capability. With 30MHz bandwidth and 50V/ $\mu$ s slew rate, the  $V_{COM}$  amplifier is capable of driving 400mA peaks, and 100mA continuous output current.

### Pinout



### Features

- 2.7V to 5.5V Input
- 2.6A Integrated Boost for Up to 20V  $A_{VDD}$
- Integrated  $V_{ON}$  Slice
- 350mA  $V_{LOGIC}$  LDO
  - 2.5V, 2.85V, 3.3V Output Voltage Selectable
- 600kHz/1.2MHz  $\xi$
- $V_{COM}$  Amplifier
  - 30MHz BW
  - 50V/ $\mu$ s SR
  - 400mA Peak Output Current
- UV and OT Protection
- 24 Ld 4x4 QFN
- Pb-Free (RoHS Compliant)

### Applications

- LCD Monitors (15"+)
- Notebook Display (up to 16")

### Ordering Information

| PART NUMBER<br>(Note) | PART<br>MARKING | TEMP.<br>RANGE<br>(°C) | PACKAGE<br>(Pb-Free)         | PKG.<br>DWG. # |
|-----------------------|-----------------|------------------------|------------------------------|----------------|
| ISL97646IRZ-T*        | 976 46IRZ       | -40 to +85             | 24 Ld 4x4 QFN<br>Tape & Reel | L24.4x4D       |
| ISL97646IRZ-TK*       | 976 46IRZ       | -40 to +85             | 24 Ld 4x4 QFN<br>Tape & Reel | L24.4x4D       |

\*Please refer to TB347 for details on reel specifications.

NOTE: These Intersil Pb-free plastic packaged products employ special Pb-free material sets; molding compounds/die attach materials and 100% matte tin plate PLUS ANNEAL - e3 termination finish, which is RoHS compliant and compatible with both SnPb and Pb-free soldering operations. Intersil Pb-free products are MSL classified at Pb-free peak reflow temperatures that meet or exceed the Pb-free requirements of IPC/JEDEC J STD-020.

**Pin Descriptions**

| PIN NUMBER | PIN NAME | FUNCTION   |
|------------|----------|--|
| 1          | GND      | Ground   |
| 2          | VGH_M    | Gate Pulse Modulation Output   |
| 3          | VFLK     | Gate Pulse Modulation Control Input  |
| 4          | VDPM     | Gate Pulse Modulation Enable   |
| 5          | VDD_1    | Gate Pulse Modulation Lower Voltage Input  |
| 6          | VDD_2    | V <sub>COM</sub> Amplifier Supply  |
| 7          | OUT      | V <sub>COM</sub> Amplifier Output  |
| 8          | NEG      | V <sub>COM</sub> Amplifier Inverting Input   |
| 9          | POS      | V <sub>COM</sub> Amplifier Noninverting Input  |
| 10         | AGND     | V <sub>COM</sub> Amplifier Ground  |
| 11         | ADJ      | LDO Output Adjust Pin  |
| 12         | LDO_OUT  | LDO Output   |
| 13         | VIN_1    | LDO power supply   |
| 14         | SS       | Boost Converter Soft-start. Connect a capacitor between this pin and GND to set the soft-start time.                               |
| 15         | COMP     | Boost Converter Compensation Pin. Connect a series resistor and capacitor between this pin and GND to optimize transient response. |
| 16         | FREQ     | Boost Converter Frequency Select.  |
| 17         | VIN_2    | Boost Converter Power Supply   |
| 18         | LX       | Boost Converter Switching Node   |
| 19         | ENABLE   | Chip Enable Pin. Connect to VIN1 for normal operation, GND for shutdown.   |
| 20         | FB       | Boost Converter Feedback   |
| 21         | PGND     | Boost Converter Power Ground   |
| 22         | CE       | Gate Pulse Modulator Delay Control. Connect a capacitor between this pin and GND to set the delay time.                            |
| 23         | RE       | Gate Pulse Modulator Slew Control. Connect a resistor between this pin and GND to set the falling slew rate.                       |
| 24         | VGH      | Gate Pulse Modulator High Voltage Input  |

**Absolute Maximum Ratings**

Lx to GND, AGND and PGND . . . . . -0.5 to +25V  
 VDD2, OUT, NEG and POS  
 to GND, AGND and PGND . . . . . -0.5 to +25V  
 VDD1, VGH and VGH\_M  
 to GND, AGND and PGND . . . . . -0.5 to +32V  
 Differential Voltage Between POS and NEG . . . . . ±6V  
 Voltage Between GND, AGND and PGND . . . . . ±0.5V  
 All Other Pins to GND, AGND and PGND . . . . . -0.5 to +6.5V  
 Input, Output, or I/O Voltage . . . . . GND -0.3V to VIN + 0.3V

**Recommended Operating Conditions**

Input Voltage Range, VS . . . . . 2.7V to 5.5V  
 Boost Output Voltage Range, AVDD . . . . . 8V to 20V  
 Input Capacitance, CIN . . . . . 22µF  
 Boost Inductor, L1 . . . . . 3.3µH to 10µH  
 LDO Output Capacitance . . . . . 2.2µF to 10µF  
 Output Capacitance, COUT . . . . . 2x22µF  
 Operating Ambient Temperature Range . . . . . -40°C to +85°C  
 Operating Junction Temperature . . . . . -40°C to +125°C

**Thermal Information**

|   |   |                      |
|---|---|----------------------|
| Thermal Resistance                                | $\theta_{JA}$ (°C/W)  | $\theta_{JC}$ (°C/W) |
| 4x4 QFN Package (Notes 1, 2) . . . . .            | 39  | 2.5                  |
| Storage Temperature . . . . .                     | -65°C to +150°C   |                      |
| Maximum Continuous Junction Temperature . . . . . | +125°C  |                      |
| Power Dissipation                                 |   |                      |
| $T_A \leq +25^\circ\text{C}$ . . . . .            | 2.44W   |                      |
| $T_A = +70^\circ\text{C}$ . . . . .               | 1.34W   |                      |
| $T_A = +85^\circ\text{C}$ . . . . .               | 0.98W   |                      |
| $T_A = +100^\circ\text{C}$ . . . . .              | 0.61W   |                      |
| Pb-free reflow profile . . . . .                  | see link below  |                      |
|   | <a href="http://www.intersil.com/pbfree/Pb-FreeReflow.asp">http://www.intersil.com/pbfree/Pb-FreeReflow.asp</a> |                      |

CAUTION: Do not operate at or near the maximum ratings listed for extended periods of time. Exposure to such conditions may adversely impact product reliability and result in failures not covered by warranty.

NOTES:

- $\theta_{JA}$  is measured in free air with the component mounted on a high effective thermal conductivity test board with “direct attach” features. See Tech Brief TB379.
- For  $\theta_{JC}$ , the “case temp” location is the center of the exposed metal pad on the package underside.

**Electrical Specifications**  $V_{IN1} = V_{IN2} = \text{ENABLE} = 5\text{V}$ ,  $V_{DD1} = V_{DD2} = 14\text{V}$ ,  $V_{GH} = 25\text{V}$ ,  $AV_{DD} = 10\text{V}$ ,  $T_A = -40^\circ\text{C}$  to  $+85^\circ\text{C}$   
 Unless Otherwise Noted.

| SYMBOL  | PARAMETER  | TEST CONDITION  | MIN             | TYP  | MAX  | UNIT |
|---|--|---|-----------------|------|------|------|
| <b>GENERAL</b>  |  |   |                 |      |      |      |
| $V_S$   | $V_{IN1}$ , $V_{IN2}$ Input Voltage Range                  | See separate LDO specifications on page 4                         | 2.7             | 5.0  | 5.5  | V    |
| $I_{S\_DIS}$  | Sum of $V_{IN1}$ , $V_{IN2}$ Supply Currents when Disabled | ENABLE = 0V   |                 | 0.2  | 2    | µA   |
| $I_S$   | Sum of $V_{IN1}$ , $V_{IN2}$ Supply Currents               | ENABLE = 5V, LX not switching, LDO not loaded                     |                 | 1    |      | mA   |
| UVLO  | Undervoltage Lockout Threshold                             | $V_{IN2}$ Rising  | 2.3             | 2.45 | 2.6  | V    |
|   |  | $V_{IN2}$ Falling   | 2.2             | 2.35 | 2.5  | V    |
| $OT_R$  | Thermal Shutdown Temperature                               | Temperature Rising  |                 | 140  |      | °C   |
| $OT_F$  |  | Temperature Falling   |                 | 100  |      | °C   |
| <b>LOGIC INPUT CHARACTERISTICS - ENABLE, VFLK, FREQ, VDPM</b> |  |   |                 |      |      |      |
| $V_{IL}$  | Low Voltage Threshold                                      |   |                 |      | 0.8  | V    |
| $V_{IH}$  | High Voltage Threshold                                     |   | 2.2             |      |      | V    |
| $R_{IL}$  | Pull-Down Resistor   | Enabled, Input at $V_{IN2}$                                       | 150             | 250  | 400  | kΩ   |
| <b>STEP-UP SWITCHING REGULATOR</b>                            |  |   |                 |      |      |      |
| $A_{VDD}$   | Output Voltage Range                                       |   | $V_{IN} * 1.25$ |      | 20   | V    |
| $\Delta A_{VDD} / \Delta I_{OUT}$                             | Load Regulation  | 50mA < ILOAD < 250mA  |                 | 0.2  |      | %    |
| $\Delta A_{VDD} / \Delta V_{IN}$                              | Line Regulation  | ILOAD = 150mA, 3.0 < $V_{IN1}$ < 5.5V                             |                 | 0.15 | 0.25 | %/V  |
| $ACC_{AVDD}$  | Overall Accuracy (Line, Load, Temperature)                 | 10mA < ILOAD < 300mA, 3.0 < $V_{IN1}$ < 5.5V, 0°C < $T_A$ < +85°C | -3              |      | 3    | %    |

# ISL97646

**Electrical Specifications**  $V_{IN1} = V_{IN2} = \text{ENABLE} = 5\text{V}$ ,  $V_{DD1} = V_{DD2} = 14\text{V}$ ,  $V_{GH} = 25\text{V}$ ,  $V_{AVDD} = 10\text{V}$ ,  $T_A = -40^\circ\text{C}$  to  $+85^\circ\text{C}$   
Unless Otherwise Noted. **(Continued)**

| SYMBOL   | PARAMETER                       | TEST CONDITION   | MIN  | TYP        | MAX  | UNIT          |
|--|---------------------------------|--|------|------------|------|---------------|
| $V_{FB}$   | Feedback Voltage ( $V_{FB}$ )   | $I_{LOAD} = 100\text{mA}$ , $T_A = +25^\circ\text{C}$                        | 1.20 | 1.21       | 1.22 | V             |
|  |                                 | $I_{LOAD} = 100\text{mA}$ , $T_A = -40^\circ\text{C}$ to $+85^\circ\text{C}$ | 1.19 | 1.21       | 1.23 | V             |
| $I_{FB}$   | FB Input Bias Current           |  |      | 250        | 500  | nA            |
| $r_{DS(ON)}$   | Switch On Resistance            |  |      | 150        | 300  | m $\Omega$    |
| EFF  | Peak Efficiency                 |  |      | 92         |      | %             |
| $I_{LIM}$  | Switch Current Limit            |  | 2.1  | 2.6        |      | A             |
| $D_{MAX}$  | Max Duty Cycle                  |  | 85   | 90         |      | %             |
| $f_{OSC}$  | Oscillator Frequency            | FREQ = 0V  | 550  | 650        | 800  | kHz           |
|  |                                 | FREQ = $V_{IN2}$   | 1.0  | 1.2        | 1.4  | MHz           |
| $I_{SS}$   | Soft-Start Slew Current         | SS < 1V, $T_A = +25^\circ\text{C}$   |      | 2.75       |      | $\mu\text{A}$ |
| <b>LDO REGULATOR</b>   |                                 |  |      |            |      |               |
| $V_{SL}$   | Input Voltage Range $V_{IN1}$   | ADJ = LDO_OUT  | 3.0  |            | 5.5  | V             |
|  |                                 | ADJ OPEN   | 3.35 |            | 5.5  | V             |
|  |                                 | ADJ = 0V   | 3.8  |            | 5.5  | V             |
| $V_{LDO}$  | Output Voltage                  | ADJ = GND, ILDO = 1mA  |      | 3.31       |      | V             |
|  |                                 | ADJ = GND, ILDO = 350mA  |      | 3.29       |      | V             |
|  |                                 | ADJ OPEN, ILDO = 1mA   |      | 2.86       |      | V             |
|  |                                 | ADJ OPEN, ILDO = 350mA   |      | 2.84       |      | V             |
|  |                                 | ADJ = LDO_OUT, ILDO = 1mA  |      | 2.51       |      | V             |
|  |                                 | ADJ = LDO_OUT, ILDO = 350mA  |      | 2.49       |      | V             |
| $ACC_{LDO}$  | Overall Accuracy                | 1mA < ILDO < 350mA   | -4   |            | 4    | %             |
| $\Delta V_{LDO}/\Delta V_{IN}$   | Line Regulation                 | ILDO = 1mA, $3.0\text{V} < V_{IN1} < 5.5\text{V}$                            |      | 2          |      | mV/V          |
| $\Delta V_{LDO}/\Delta I_{OUT}$  | Load Regulation                 | 1mA < ILDO < 350mA   |      | 0.75       |      | %             |
| $V_{DO}$   | Dropout Voltage                 | Output drops by 2%, ILDO = 350mA   |      | 300        | 500  | mV            |
| $I_{LIML}$   | Current Limit                   | Output drops by 2%   | 350  | 400        |      | mA            |
| <b>VCOM AMPLIFIER</b> $R_{LOAD} = 10\text{k}$ , $C_{LOAD} = 10\text{pF}$ , Unless Otherwise Stated |                                 |  |      |            |      |               |
| $V_{SAMP}$   | Supply Voltage                  |  | 4.5  |            | 20   | V             |
| $I_{SAMP}$   | Supply Current                  |  |      | 3          |      | mA            |
| $V_{OS}$   | Offset Voltage                  |  |      | 3          | 20   | mV            |
| $I_B$  | Noninverting Input Bias Current |  |      | 0          | 100  | nA            |
| CMIR   | Common Mode Input Voltage Range |  | 0    |            | VDD2 | V             |
| CMRR   | Common-Mode Rejection Ratio     |  | 50   | 70         |      | dB            |
| PSRR   | Power Supply Rejection Ratio    |  | 70   | 85         |      | dB            |
| VOH  | Output Voltage Swing High       | $I_{OUT(SOURCE)} = 5\text{mA}$   |      | VDD2 - 50  |      | mV            |
| VOH  | Output Voltage Swing High       | $I_{OUT(SOURCE)} = 50\text{mA}$  |      | VDD2 - 450 |      | mV            |
| VOL  | Output Voltage Swing Low        | $I_{OUT(SINK)} = 5\text{mA}$   |      | 50         |      | mV            |
| VOL  | Output Voltage Swing Low        | $I_{OUT(SINK)} = 50\text{mA}$  |      | 450        |      | mV            |

# ISL97646

**Electrical Specifications**  $V_{IN1} = V_{IN2} = \text{ENABLE} = 5\text{V}$ ,  $V_{DD1} = V_{DD2} = 14\text{V}$ ,  $V_{GH} = 25\text{V}$ ,  $V_{AVDD} = 10\text{V}$ ,  $T_A = -40^\circ\text{C}$  to  $+85^\circ\text{C}$   
Unless Otherwise Noted. **(Continued)**

| SYMBOL                      | PARAMETER                        | TEST CONDITION                  | MIN | TYP | MAX     | UNIT             |
|-----------------------------|----------------------------------|---------------------------------|-----|-----|---------|------------------|
| $I_{SC}$                    | Output Short Circuit Current     |                                 | 250 | 400 |         | mA               |
| SR                          | Slew Rate                        |                                 |     | 50  |         | V/ $\mu\text{s}$ |
| BW                          | Gain Bandwidth                   | -3dB gain point                 |     | 30  |         | MHz              |
| <b>GATE PULSE MODULATOR</b> |                                  |                                 |     |     |         |                  |
| VGH                         | VGH Voltage                      |                                 | 7   |     | 30      | V                |
| $I_{VGH}$                   | VGH Input Current                | VFLK = 0                        |     | 260 |         | $\mu\text{A}$    |
|                             |                                  | RE = 33k $\Omega$ , VFLK = VDD1 |     | 40  |         | $\mu\text{A}$    |
| VDD1                        | VDD1 Voltage                     |                                 | 3   |     | VGH - 2 | V                |
| $I_{VDD1}$                  | VDD1 Input Current               |                                 | -2  | 0.1 | 2       | $\mu\text{A}$    |
| $R_{ONVGH}$                 | VGH to VGH_M On Resistance       |                                 |     | 70  |         | $\Omega$         |
| $I_{DIS\_VGH}$              | VGH_M Discharge Current (Note 3) | RE = 33k $\Omega$               |     | 8   |         | mA               |
| $T_{DEL}$                   | DELAY Time (Note 4)              | CE = 470pF, RE = 33k $\Omega$   |     | 1.9 |         | $\mu\text{s}$    |

**NOTES:**

- Nominal discharge current =  $300 / (\text{RE} + 5\text{k}\Omega)$ .
- Nominal delay time =  $4000 * \text{CE}$ .

Typical Performance Curves

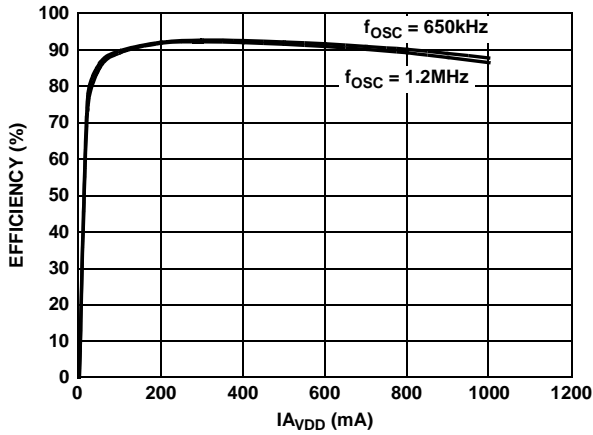


FIGURE 1. A<sub>VDD</sub> EFFICIENCY vs I<sub>A\_VDD</sub>

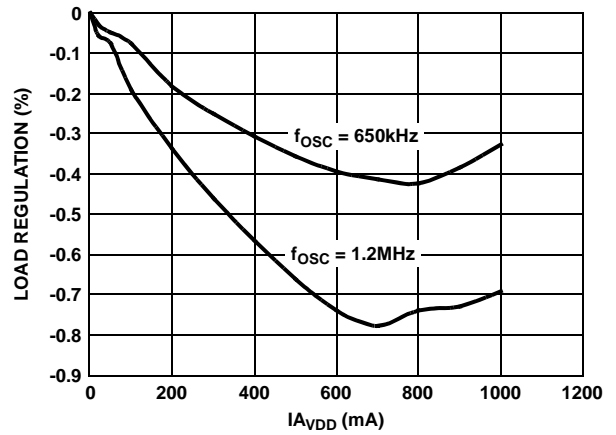


FIGURE 2. A<sub>VDD</sub> LOAD REGULATION vs I<sub>A\_VDD</sub>

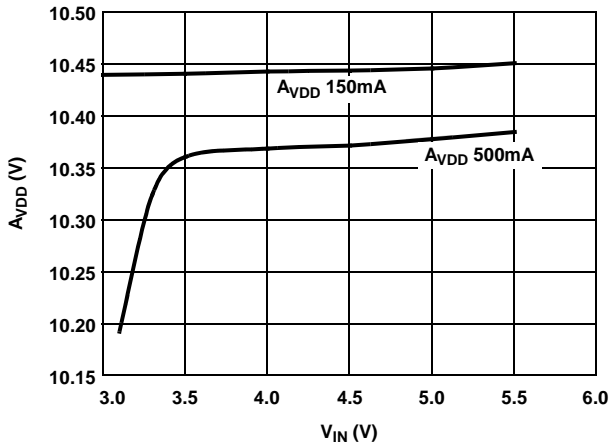


FIGURE 3. LINE REGULATION A<sub>VDD</sub> vs V<sub>IN</sub>

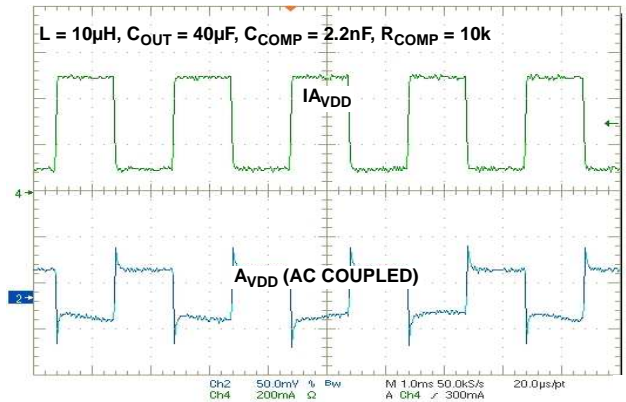


FIGURE 4. BOOST CONVERTER TRANSIENT RESPONSE

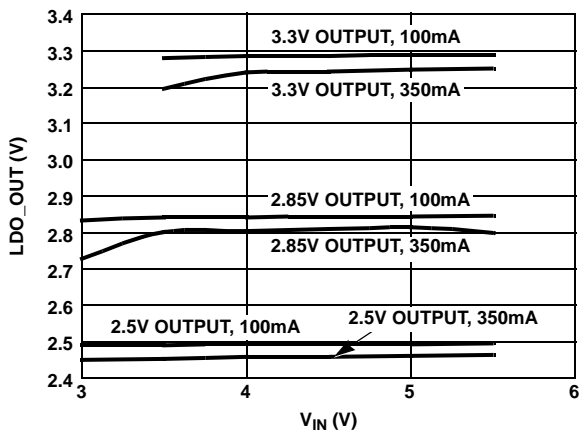


FIGURE 5. LINE REGULATION LDO\_OUT vs V<sub>IN</sub>

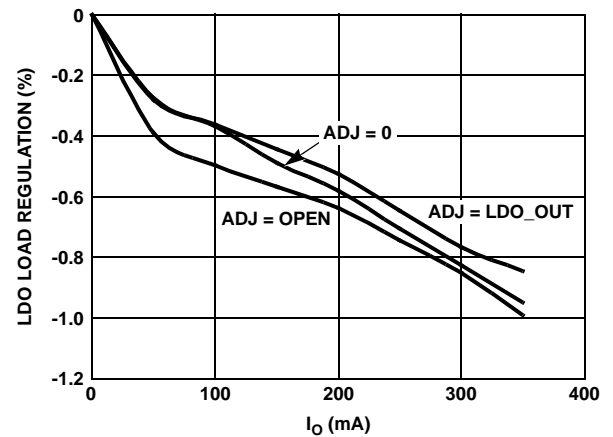


FIGURE 6. LDO LOAD REGULATION vs I<sub>O</sub>

Typical Performance Curves (Continued)

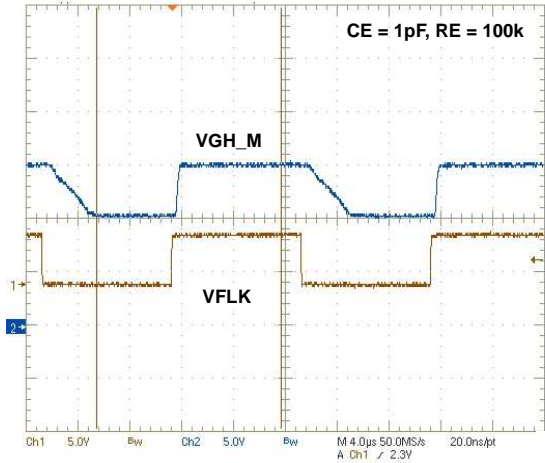


FIGURE 7. GPM CIRCUIT WAVEFORM

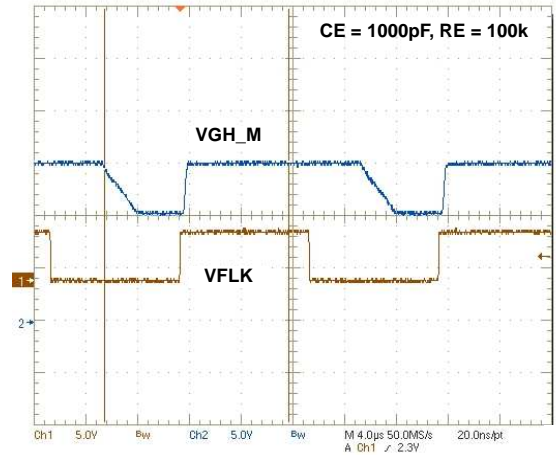


FIGURE 8. GPM CIRCUIT WAVEFORM

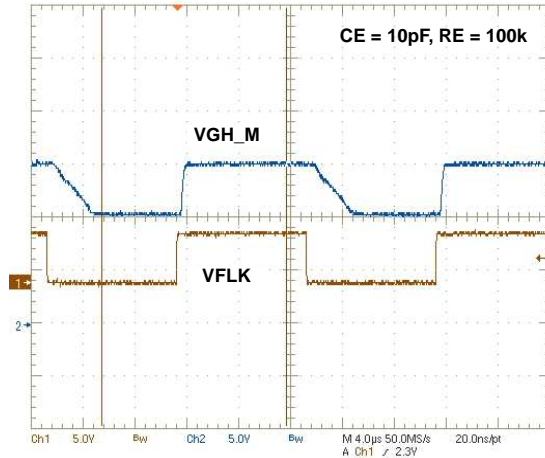


FIGURE 9. GPM CIRCUIT WAVEFORM

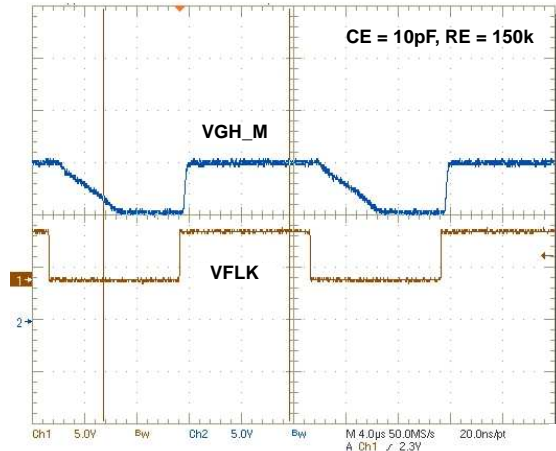


FIGURE 10. GPM CIRCUIT WAVEFORM

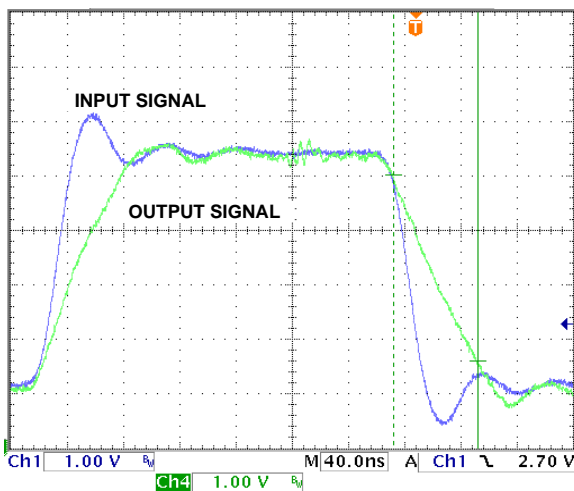


FIGURE 11.  $V_{COM}$  RISING SLEW RATE

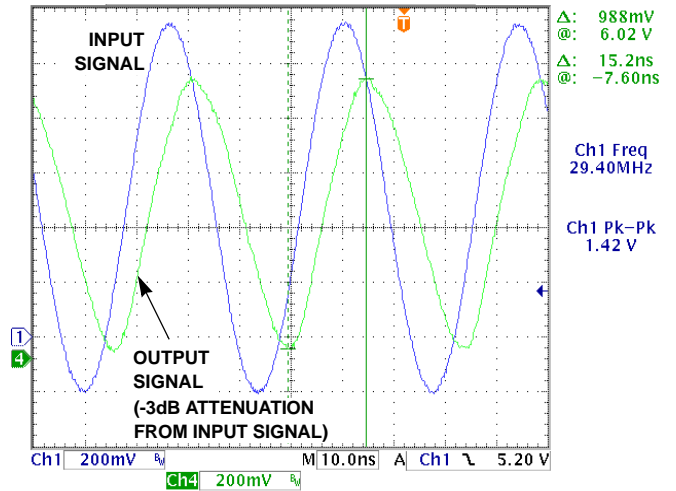


FIGURE 12.  $V_{COM}$  BANDWIDTH MEASUREMENT

Block Diagram

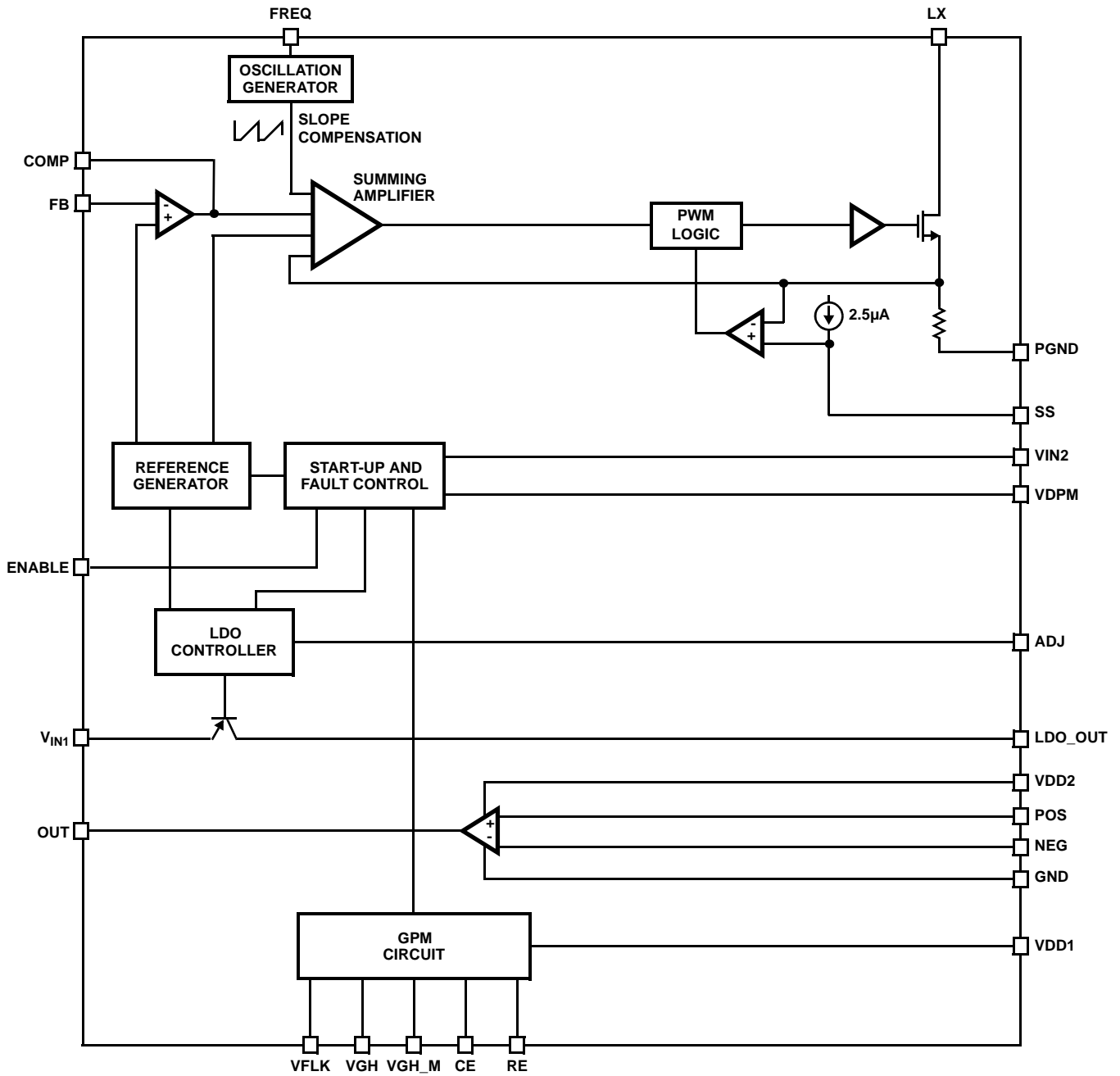


FIGURE 13. ISL97646 BLOCK DIAGRAM



## Typical Application Diagram

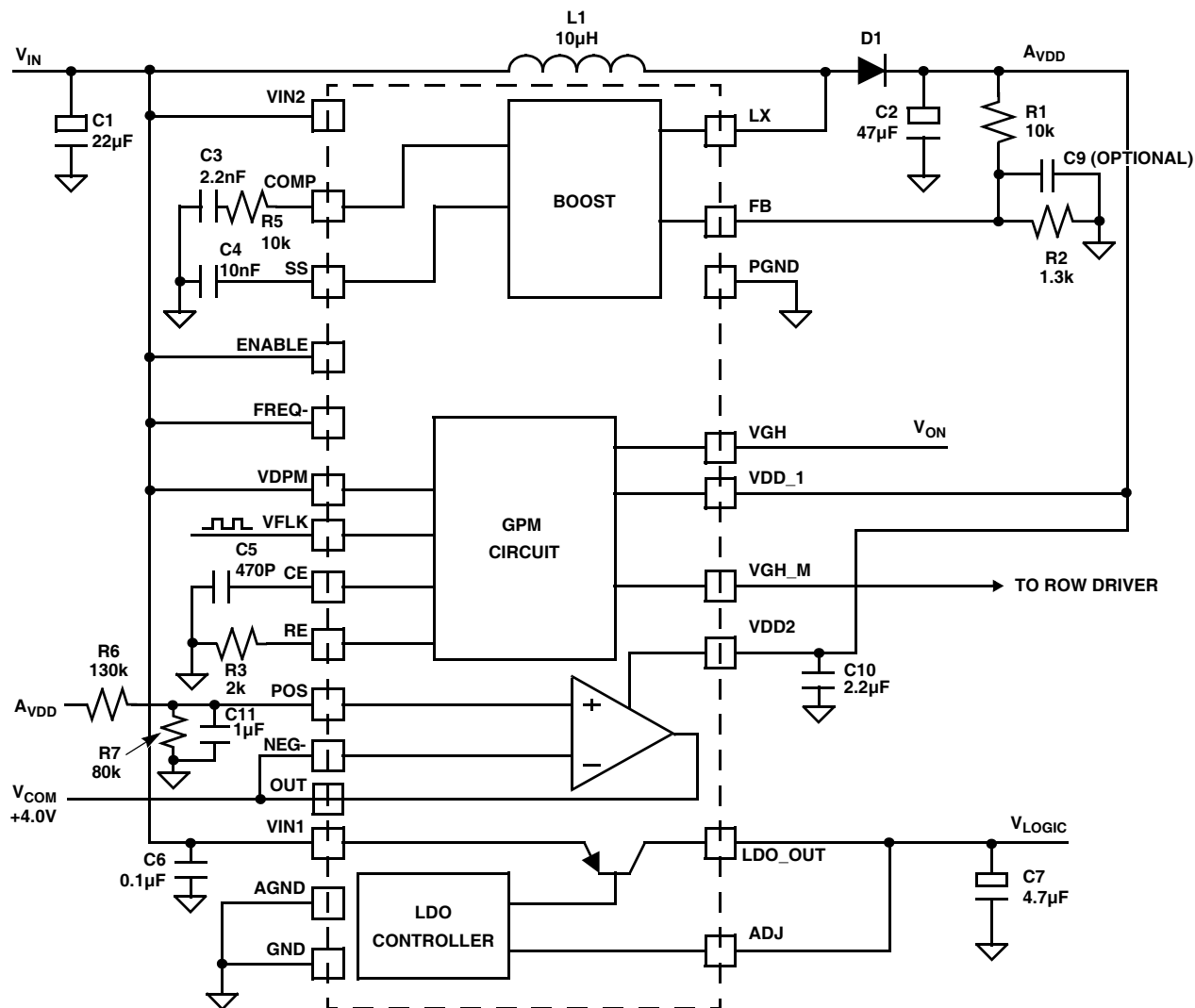


FIGURE 14. TYPICAL APPLICATION DIAGRAM

### Applications Information

The ISL97646 provides a complete power solution for TFT LCD applications. The system consists of one boost converter to generate  $A_{VDD}$  voltage for column drivers, one logic LDO regulator to provide voltage to logic circuit in the LCD panel, one integrated  $V_{COM}$  buffer which can provide up to 400mA peak current. This part also integrates a Gate Pulse Modulator circuit that can help to optimize the picture quality.

### Enable Control

When enable pin is pulling down, the ISL97646 is shut down reducing the supply current to  $<10\mu A$ . When the voltage at enable pin reaches 2.2V, the ISL97646 is on.

### Boost Converter

#### Frequency Selection

The ISL97646 switching frequency can be user selected to operate at either constant 650kHz or 1.2MHz. Lower switching frequency can save power dissipation, while higher switching frequency can allow smaller external components like inductor and output capacitors, etc. Connecting **FREQ** pin to ground sets the PWM switching frequency to 650MHz, or connecting **FREQ** pin to  $V_{IN}$  for 1.2MHz.

#### Soft-Start

The soft-start is provided by an internal 2.5µA current source to charge the external soft start capacitor. The ISL97646 ramps up current limit from 0A up to full value, as the voltage at **SS** pin ramps from 0V to 1.2V. Hence the soft-start time is 4.8ms when the soft-start capacitor is 10nF, 22.6ms for 47nF and 48ms for 100nF.

### Operation

The boost converter is a current mode PWM converter operating at either a 650kHz or 1.2MHz. It can operate in both discontinuous conduction mode (DCM) at light load and continuous mode (CCM). In continuous current mode, current flows continuously in the inductor during the entire switching cycle in steady state operation. The voltage conversion ratio in continuous current mode is given by:

$$\frac{V_{\text{BOOST}}}{V_{\text{IN}}} = \frac{1}{1-D} \quad (\text{EQ. 1})$$

Where D is the duty cycle of the switching MOSFET.

Figure 13 shows the block diagram of the boost regulator. It uses a summing amplifier architecture consisting of gm stages for voltage feedback, current feedback and slope compensation. A comparator looks at the peak inductor current cycle by cycle and terminates the PWM cycle if the current limit is reached.

An external resistor divider is required to divide the output voltage down to the nominal reference voltage. Current drawn by the resistor network should be limited to maintain the overall converter efficiency. The maximum value of the resistor network is limited by the feedback input bias current and the potential for noise being coupled into the feedback pin. A resistor network in the order of 60kΩ is recommended. The boost converter output voltage is determined by Equation 2:

$$V_{\text{BOOST}} = \frac{R_1 + R_2}{R_2} \times V_{\text{FB}} \quad (\text{EQ. 2})$$

The current through the MOSFET is limited to  $2.6A_{\text{PEAK}}$ .

This restricts the maximum output current (average) based on the Equation 3:

$$I_{\text{OMAX}} = \left( I_{\text{LMT}} - \frac{\Delta I_L}{2} \right) \times \frac{V_{\text{IN}}}{V_O} \quad (\text{EQ. 3})$$

Where  $\Delta I_L$  is peak to peak inductor ripple current, and is set by:

$$\Delta I_L = \frac{V_{\text{IN}}}{L} \times \frac{D}{f_s} \quad (\text{EQ. 4})$$

where  $f_s$  is the switching frequency (650kHz or 1.2MHz).

Table 2 gives typical values (margins are considered 10%, 3%, 20%, 10% and 15% on  $V_{\text{IN}}$ ,  $V_O$ , L,  $f_s$  and  $I_{\text{OMAX}}$ ).

### Capacitor

An input capacitor is used to suppress the voltage ripple injected into the boost converter. The ceramic capacitor with capacitance larger than 10μF is recommended. The voltage rating of input capacitor should be larger than the maximum input voltage. Some capacitors are recommended in Table 1 for input capacitor.

**TABLE 1. BOOST CONVERTER INPUT CAPACITOR RECOMMENDATION**

| CAPACITOR | SIZE | MFG    | PART NUMBER    |
|-----------|------|--------|----------------|
| 10μF/16V  | 1206 | TDK    | C3216X7R1C106M |
| 10μF/10V  | 0805 | Murata | GRM21BR61A106K |
| 22μF/10V  | 1210 | Murata | GRB32ER61A226K |

**TABLE 2. MAXIMUM OUTPUT CURRENT CALCULATION**

| $V_{\text{IN}}$ (V) | $V_O$ (V) | L (μH) | $f_s$ (MHz) | $I_{\text{OMAX}}$ (mA) |
|---------------------|-----------|--------|-------------|------------------------|
| 3                   | 9         | 10     | 0.65        | 636                    |
| 3                   | 12        | 10     | 0.65        | 419                    |
| 3                   | 15        | 10     | 0.65        | 289                    |
| 5                   | 9         | 10     | 0.65        | 1060                   |
| 5                   | 12        | 10     | 0.65        | 699                    |
| 5                   | 15        | 10     | 0.65        | 482                    |
| 5                   | 18        | 10     | 0.65        | 338                    |
| 3                   | 9         | 10     | 1.2         | 742                    |
| 3                   | 12        | 10     | 1.2         | 525                    |
| 3                   | 15        | 10     | 1.2         | 395                    |
| 5                   | 9         | 10     | 1.2         | 1236                   |
| 5                   | 12        | 10     | 1.2         | 875                    |
| 5                   | 15        | 10     | 1.2         | 658                    |
| 5                   | 18        | 10     | 1.2         | 514                    |

## Inductor

The boost inductor is a critical part which influences the output voltage ripple, transient response, and efficiency. Values of 3.3μH to 10μH are used to match the internal slope compensation. The inductor must be able to handle the following average and peak current:

$$I_{LAVG} = \frac{I_O}{1-D} \quad (\text{EQ. 5})$$

$$I_{LPK} = I_{LAVG} + \frac{\Delta I_L}{2}$$

Some inductors are recommended in Table 3.

**TABLE 3. BOOST INDUCTOR RECOMMENDATION**

| INDUCTOR                    | DIMENSIONS (mm) | MFG             | PART NUMBER      |
|-----------------------------|-----------------|-----------------|------------------|
| 6.8μH/3A <sub>PEAK</sub>    | 7.3x6.8x3.2     | TDK             | RLF7030T-6R8N3R0 |
| 10μH/4A <sub>PEAK</sub>     | 8.3x8.3x4.5     | Sumida          | CDR8D43-100NC    |
| 5.2μH/4.55A <sub>PEAK</sub> | 10x10.1x3.8     | Cooper Bussmann | CD1-5R2          |

## Rectifier Diode

A high-speed diode is necessary due to the high switching frequency. Schottky diodes are recommended because of their fast recovery time and low forward voltage. The reverse voltage rating of this diode should be higher than the maximum output voltage. The rectifier diode must meet the output current and peak inductor current requirements. Table 4 lists some recommendations for boost converter diode.

**TABLE 4. BOOST CONVERTER RECTIFIER DIODE RECOMMENDATION**

| DIODE   | V <sub>R</sub> /I <sub>AVG</sub> RATING | PACKAGE | MFG                     |
|---------|---|---------|-------------------------|
| SS23    | 30V/2A                                  | SMB     | Fairchild Semiconductor |
| MBRS340 | 40V/3A                                  | SMC     | International Rectifier |
| SL23    | 30V/2A                                  | SMB     | Vishay Semiconductor    |

## Output Capacitor

The output capacitor supplies the load directly and reduces the ripple voltage at the output. Output ripple voltage consists of two components: the voltage drop due to the inductor ripple current flowing through the ESR of output capacitor, and the charging and discharging of the output capacitor.

$$V_{\text{RIPPLE}} = I_{LPK} \times \text{ESR} + \frac{V_O - V_{IN}}{V_O} \times \frac{I_O}{C_{OUT}} \times \frac{1}{f_s} \quad (\text{EQ. 6})$$

For low ESR ceramic capacitors, the output ripple is dominated by the charging and discharging of the output capacitor. The voltage rating of the output capacitor should be greater than the maximum output voltage.

NOTE: Capacitors have a voltage coefficient that makes their effective capacitance drop as the voltage across them increases. C<sub>OUT</sub> in Equation 6 above assumes the effective value of the capacitor at a particular voltage and not the manufacturer's stated value, measured at zero volts.

Table 5 lists some selections of output capacitors.

**TABLE 5. BOOST OUTPUT CAPACITOR RECOMMENDATION**

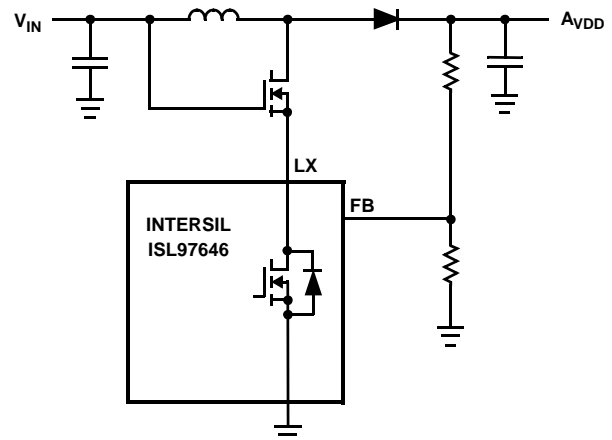
| CAPACITOR | SIZE | MFG    | PART NUMBER    |
|-----------|------|--------|----------------|
| 10μF/25V  | 1210 | TDK    | C3225X7R1E106M |
| 10μF/25V  | 1210 | Murata | GRM32DR61E106K |

## Compensation

The boost converter of ISL97646 can be compensated by a RC network connected from the CM1 pin to ground. 4.7nF and 10k RC network is used in the demo board. The larger value resistor and lower value capacitor can lower the transient overshoot, however, at the expense of stability of the loop.

## Cascaded MOSFET Application

A 20V N-Channel MOSFET is integrated in the boost regulator. For the applications where the output voltage is greater than 20V, an external cascaded MOSFET is needed, as shown in Figure 15. The voltage rating of the external MOSFET should be greater than A<sub>VDD</sub>.



**FIGURE 15. CASCADED MOSFET TOPOLOGY FOR HIGH OUTPUT VOLTAGE APPLICATIONS**

## Linear-Regulator (LDO)

The ISL97646 includes a LDO with adjustable output, and it can supply current up to 350mA. The output voltage is adjusted by connection of ADJ pin. When ADJ pin is connected to ground, the output voltage is set to 3.3V; when ADJ pin is floating, the output voltage is set to 2.85V, and when ADJ pin is connected to LDO\_OUT pin, the output voltage is set to 2.5V.

The efficiency of LDO is depended on the difference between input voltage and output voltage, as well as the output current:

$$\eta(\%) = (V_{IN1} - V_{LDO\_OUT}) \times I_{LDO\_OUT} \times 100\% \quad (\text{EQ. 7})$$

The less difference between input and output voltage, the higher efficiency it is. The minimum dropout voltage of LDO of ISL97646 is 300mV.

The ceramic capacitors are recommended for the LDO input and output capacitor. Larger capacitors help reduce noise and deviation during transient load change.

### Gate Pulse Modulator Circuit

The gate pulse modulator circuit functions as a three way multiplexer, switching VGHM between ground, VDD1 and VGH. Voltage selection is provided by digital inputs VDPM (enable) and VFLK (control). High to low delay and slew control is provided by external components on pins CE and RE, respectively. A block diagram of the gate pulse modulator circuit is shown in Figure 16.

When VDPM is LOW, the block is disabled and VGHM is grounded. When VDPM is HIGH, the output is determined by VFLK. When VFLK goes high, VGHM is pulled to VGH by a 70Ω switch. When VFLK goes low, there is a delay controlled by capacitor CE, following which VGHM is driven to VDD1, with a slew rate controlled by resistor RE. Note that VDD1 is used only as a reference voltage for an amplifier, thus does not have to source or sink a significant DC current.

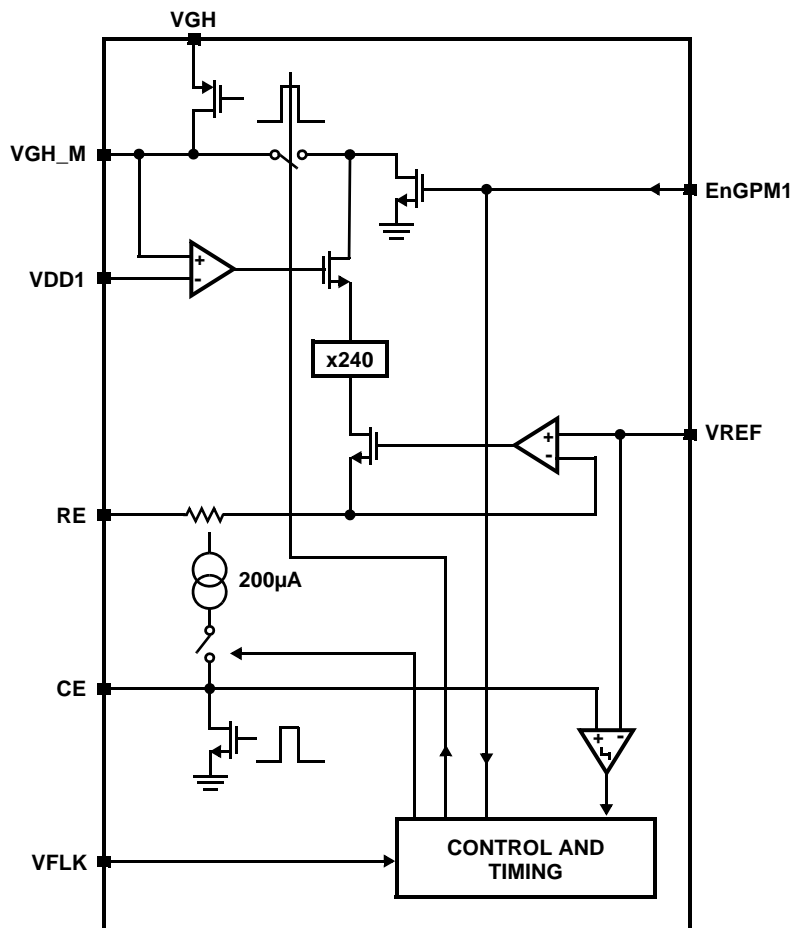


FIGURE 16. GATE PULSE MODULATOR CIRCUIT BLOCK DIAGRAM

Low to high transition is determined primarily by the switch resistance and the external capacitive load. High to low transition is more complex. Take the case where the block is already enabled (VDPM is H). When VFLK is H, pin CE is grounded. On the falling edge of VFLK, a current is passed into pin CE, to charge an external capacitor to 1.2V. This creates a delay, equal to  $CE \cdot 4200$ . At this point, the output begins to pull down from VGH to VDD1. The slew current is equal to  $300 / (RE + 5000) \cdot \text{Load Capacitance}$ .

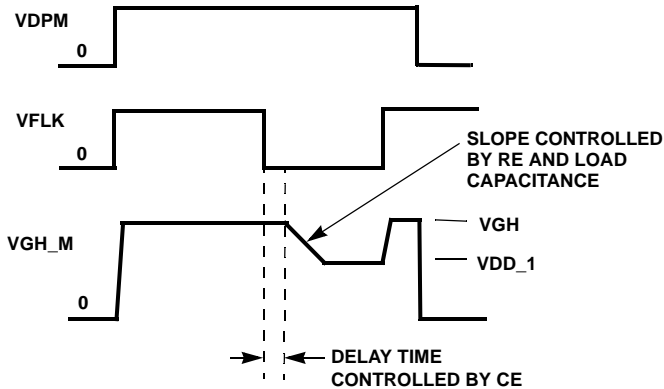


FIGURE 17. GATE PULSE MODULATOR TIMING DIAGRAM

### Start-Up Sequence

Figure 18 shows a detailed start-up sequence waveform.

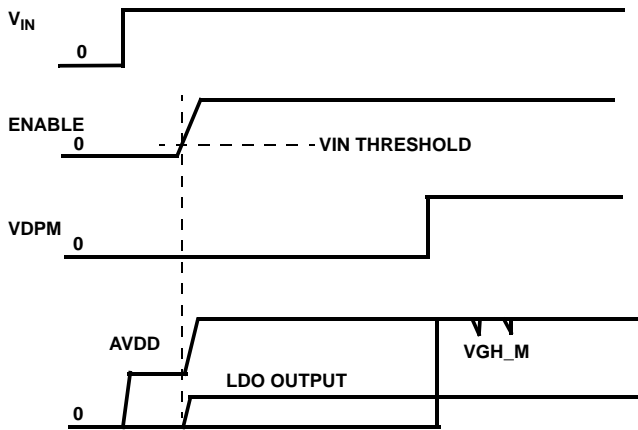


FIGURE 18. START-UP SEQUENCE

When  $V_{IN}$  exceeds 2.5V and ENABLE reaches the  $V_{IH}$  threshold value, Boost converter and LDO start-up, and gate pulse modulator circuit output holds until VDPM goes to high. Note that there is a DC path in the boost converter from the input to the output through the inductor and diode, hence the input voltage will be seen at output with a forward voltage drop of diode before the part is enabled. If this voltage is not desired, the following circuit can be inserted between input and inductor to disconnect the DC path when the part is disabled.

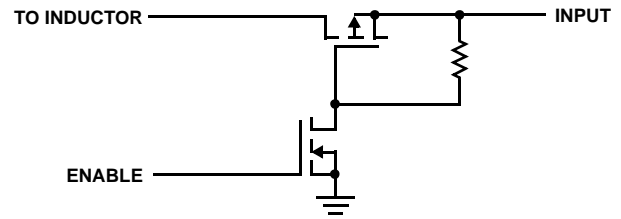


FIGURE 19. CIRCUIT TO DISCONNECT THE DC PATH OF BOOST CONVERTER

### $V_{COM}$ Amplifier

The  $V_{COM}$  amplifier is designed to control the voltage on the back plate of an LCD display. This plate is capacitively coupled to the pixel drive voltage which alternately cycles positive and negative at the line rate for the display. Thus, the amplifier must be capable of sourcing and sinking capacitive pulses of current, which can occasionally be quite large (a few 100mA for typical applications).

The ISL97646  $V_{COM}$  amplifier's output current is limited to 400mA. This limit level, which is roughly the same for sourcing and sinking, is included to maintain reliable operation of the part. It does not necessarily prevent a large temperature rise if the current is maintained. (In this case the whole chip may be shut down by the thermal trip to protect functionality). If the display occasionally demands current pulses higher than this limit, the reservoir capacitor will provide the excess and the amplifier will top the reservoir capacitor back up once the pulse has stopped. This will happen on the  $\mu s$  time scale in practical systems and for pulses 2 or 3 times the current limit, the  $V_{COM}$  voltage will have settled again before the next line is processed.

### Fault Protection

ISL97646 provides the overall fault protections including overcurrent protection and over-temperature protection.

An internal temperature sensor continuously monitors the die temperature. In the event that die temperature exceeds the thermal trip point, the device will shut down and disable itself. The upper and lower trip points are typically set to +140°C and +100°C, respectively.

## Layout Recommendation

The device's performance including efficiency, output noise, transient response and control loop stability is dramatically affected by the PCB layout. PCB layout is critical, especially at high switching frequency.

There are some general guidelines for layout:

1. Place the external power components (the input capacitors, output capacitors, boost inductor and output diodes, etc.) in close proximity to the device. Traces to these components should be kept as short and wide as possible to minimize parasitic inductance and resistance.
2. Place  $V_{IN}$  and VDD bypass capacitors close to the pins.
3. Reduce the loop area with large AC amplitudes and fast slew rate.
4. The feedback network should sense the output voltage directly from the point of load, and be as far away from LX node as possible.
5. The power ground (PGND) and signal ground (SGND) pins should be connected at only one point.
6. The exposed die plate, on the underneath of the package, should be soldered to an equivalent area of metal on the PCB. This contact area should have multiple via connections to the back of the PCB as well as connections to intermediate PCB layers, if available, to maximize thermal dissipation away from the IC.
7. To minimize the thermal resistance of the package when soldered to a multi-layer PCB, the amount of copper track and ground plane area connected to the exposed die plate should be maximized and spread out as far as possible from the IC. The bottom and top PCB areas especially should be maximized to allow thermal dissipation to the surrounding air.
8. A signal ground plane, separate from the power ground plane and connected to the power ground pins only at the exposed die plate, should be used for ground return connections for control circuit.
9. Minimize feedback input track lengths to avoid switching noise pick-up.

A demo board is available to illustrate the proper layout implementation.

All Intersil U.S. products are manufactured, assembled and tested utilizing ISO9000 quality systems. Intersil Corporation's quality certifications can be viewed at [www.intersil.com/design/quality](http://www.intersil.com/design/quality)

*Intersil products are sold by description only. Intersil Corporation reserves the right to make changes in circuit design, software and/or specifications at any time without notice. Accordingly, the reader is cautioned to verify that data sheets are current before placing orders. Information furnished by Intersil is believed to be accurate and reliable. However, no responsibility is assumed by Intersil or its subsidiaries for its use; nor for any infringements of patents or other rights of third parties which may result from its use. No license is granted by implication or otherwise under any patent or patent rights of Intersil or its subsidiaries.*

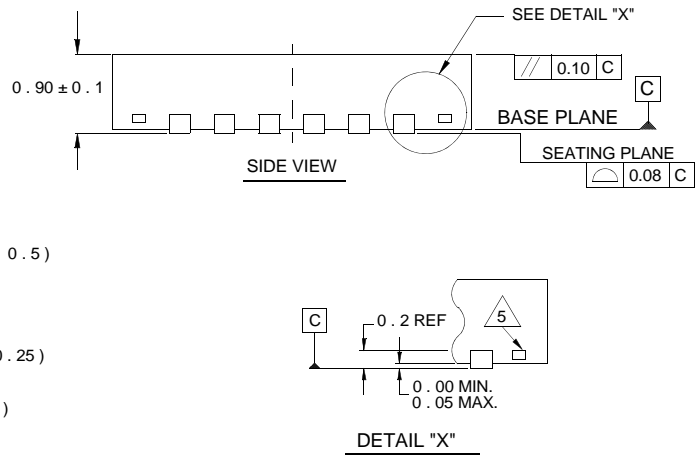
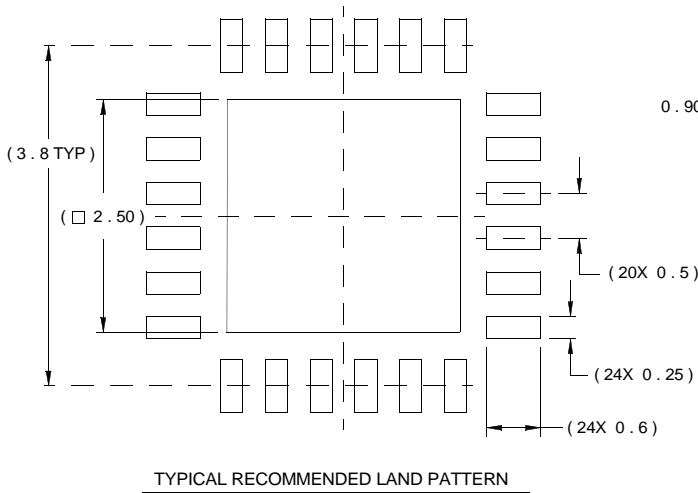
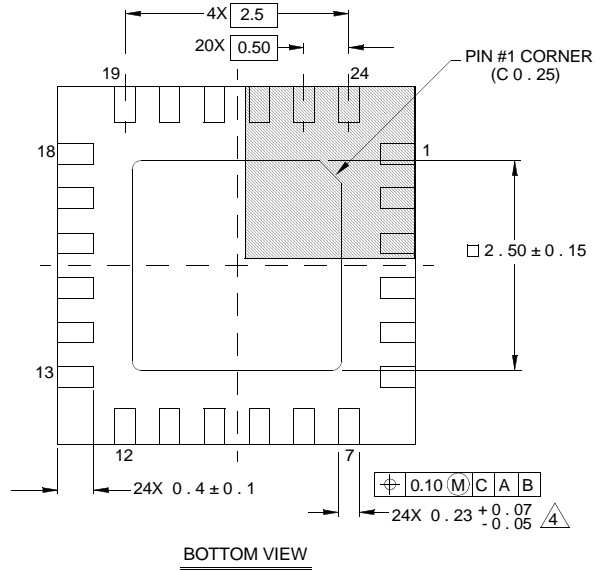
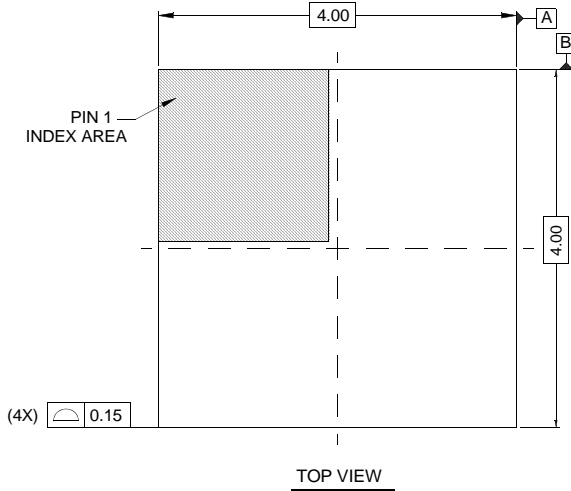
For information regarding Intersil Corporation and its products, see [www.intersil.com](http://www.intersil.com)

# Package Outline Drawing

## L24.4x4D

24 LEAD QUAD FLAT NO-LEAD PLASTIC PACKAGE

Rev 2, 10/06



NOTES:

1. Dimensions are in millimeters.  
Dimensions in ( ) for Reference Only.
2. Dimensioning and tolerancing conform to AMSE Y14.5m-1994.
3. Unless otherwise specified, tolerance : Decimal  $\pm 0.05$
4. Dimension b applies to the metallized terminal and is measured between 0.15mm and 0.30mm from the terminal tip.
5. Tiebar shown (if present) is a non-functional feature.
6. The configuration of the pin #1 identifier is optional, but must be located within the zone indicated. The pin #1 identifier may be either a mold or mark feature.