

Low-Voltage, Single Supply, Single SPDT Analog Switch

The Intersil ISL43210 device is a precision, bidirectional, single SPDT analog switch designed to operate from a single +2.7V to +12V supply. Targeted applications include battery powered equipment that benefit from the devices' low power consumption (5 μ W), low leakage currents (3nA max), and fast switching speeds (t_{ON} = 28ns, t_{OFF} = 20ns). Cell phones, for example, often face ASIC functionality limitations. The number of analog input or GPIO pins may be limited and digital geometries are not well suited to analog switch performance. This device may be used to "mux-in" additional functionality while reducing ASIC design risk. It's small package alleviates board space limitations, making it an ideal solution.

The ISL43210 is a single committed SPDT, which is perfect for use in 2-to-1 multiplexer applications.

TABLE 1. FEATURES AT A GLANCE

| | ISL43210 |
|---|-----------------|
| SW 1/SW 2 | SPDT or 2x1 MUX |
| 3.3V r_{ON} | 32 Ω |
| 3.3V t_{ON}/t_{OFF} | 40ns/20ns |
| 5V r_{ON} | 19 Ω |
| 5V t_{ON}/t_{OFF} | 28ns/20ns |
| 12V r_{ON} | 11 Ω |
| 12V t_{ON}/t_{OFF} | 25ns/17ns |
| Package | 6 Ld SOT-23 |

Related Literature

- Technical Brief TB363 "Guidelines for Handling and Processing Moisture Sensitive Surface Mount Devices (SMDs)"
- Application Note AN557 "Recommended Test Procedures for Analog Switches"

Features

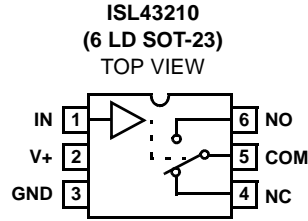
- Fully specified at 12V, 5V, and 3.3V supplies for 10% tolerances
- ON-resistance (r_{ON}) 19 Ω
- r_{ON} matching between channels <1 Ω
- Low charge injection 5pC (Max)
- Single supply operation +2.7V to +12V
- Low power consumption (I_{DD}) <5 μ W
- Low leakage current 10nA
- Fast switching action
 - t_{ON} 28ns
 - t_{OFF} 20ns
- Guaranteed break-before-make switching
- Minimum 2000V ESD protection per method 3015.7
- TTL, CMOS compatible
- Available in 6 Ld SOT-23 package
- Pb-free available (RoHS compliant)

Applications

- Battery-powered, handheld, and portable equipment
 - Cellular/mobile phones
 - Pagers
 - Laptops, notebooks, palmtops
- Communications systems
 - Radios, ADSL Modems
 - PBX, PABX
- Test and measurement equipment
 - Ultrasound
 - Computerized Tomography (CT) Scanner
 - Magnetic Resonance Image (MRI)
 - Position Emission Tomography (PET) Scanner
 - Electrocardiograph
- Heads-up displays
- Audio and video switching
- Various circuits
 - +3V/+5V DACs and ADCs
 - Sample and hold circuits
 - Digital filters
 - Operational amplifier gain switching networks
 - High frequency analog switching
 - High speed multiplexing
 - Integrator reset circuits

ISL43210

Pinout (Note 1)



NOTE:

1. Switch Shown for Logic "0" Input.

Truth Table

| LOGIC | ISL43210 | |
|-------|----------|--------|
| | PIN NC | PIN NO |
| 0 | ON | OFF |
| 1 | OFF | ON |

NOTE: Logic "0" $\leq 0.8V$. Logic "1" $\geq 2.4V$.

Pin Descriptions

| PIN NAME | PIN NUMBER | FUNCTION |
|----------|------------|---|
| V+ | 2 | System Power Supply Input (+2.7V to +12V) |
| GND | 3 | Ground Connection |
| IN | 1 | Digital Control Input |
| COM | 5 | Analog Switch Common Pin |
| NO | 6 | Analog Switch Normally Open Pin |
| NC | 4 | Analog Switch Normally Closed Pin |

Ordering Information

| PART NUMBER | PART MARKING | TEMP. RANGE (°C) | PACKAGE | PKG. DWG. # |
|--------------------------|--------------|------------------|---|-------------|
| ISL43210IH-T* | 123I | -40 to +85 | 6 Ld SOT-23 Tape and Reel | P6.064 |
| ISL43210IHZ-T* (Note) | 123Z | -40 to +85 | 6 Ld SOT-23 (Pb-free) Tape and Reel | P6.064 |

*Please refer to TB347 for details on reel specifications.

NOTE: These Intersil Pb-free plastic packaged products employ special Pb-free material sets; molding compounds/die attach materials and 100% matte tin plate PLUS ANNEAL - e3 termination finish, which is RoHS compliant and compatible with both SnPb and Pb-free soldering operations. Intersil Pb-free products are MSL classified at Pb-free peak reflow temperatures that meet or exceed the Pb-free requirements of IPC/JEDEC J STD-020.

Absolute Maximum Ratings

| | |
|--|-----------------------|
| V+ to GND | -0.3 to 15V |
| Input Voltages | |
| IN (Note 2) | -0.3 to ((V+) + 0.3V) |
| NO, NC (Note 2) | -0.3 to ((V+) + 0.3V) |
| Output Voltages | |
| COM (Note 2) | -0.3 to ((V+) + 0.3V) |
| Continuous Current (Any Terminal) | 30mA |
| Peak Current NO, NC, or COM (Pulsed 1ms, 10% Duty Cycle, Max) | 40mA |
| ESD Rating | |
| Human Body Model (Per MIL-STD-883 Method 3015) | 2kV |

Operating Conditions

| | |
|-------------------|----------------|
| Temperature Range | -40°C to +85°C |
|-------------------|----------------|

CAUTION: Do not operate at or near the maximum ratings listed for extended periods of time. Exposure to such conditions may adversely impact product reliability and result in failures not covered by warranty.

NOTES:

- Signals on NC, NO, COM, or IN exceeding V+ or GND are clamped by internal diodes. Limit forward diode current to maximum current ratings.
- θ_{JA} is measured with the component mounted on a low effective thermal conductivity test board in free air. See Tech Brief TB379 for details.

Electrical Specifications - 5V Supply

Test Conditions: V+ = +4.5V to +5.5V, GND = 0V, V_{INH} = 2.4V, V_{INL} = 0.8V (Note 4), Unless Otherwise Specified.

| PARAMETER | TEST CONDITIONS | TEMP (°C) | MIN (Notes 5, 6) | TYP | MAX (Notes 5, 6) | UNITS |
|--|---|-----------|------------------|------|------------------|-------|
| ANALOG SWITCH CHARACTERISTICS | | | | | | |
| Analog Signal Range, V _{ANALOG} | | Full | 0 | - | V+ | V |
| ON-Resistance, r _{ON} | V+ = 4.5V, I _{COM} = 1.0mA, V _{NO} or V _{NC} = 3.5V (See Figure 5) | 25 | - | 19 | 30 | Ω |
| | | Full | - | 23 | 40 | Ω |
| r _{ON} Matching Between Channels, Δr _{ON} | V+ = 5V, I _{COM} = 1.0mA, V _{NO} or V _{NC} = 3.5V | 25 | - | 0.8 | 2 | Ω |
| | | Full | - | 1 | 4 | Ω |
| r _{ON} Flatness, R _{FLAT(ON)} | V+ = 5V, I _{COM} = 1.0mA, V _{NO} or V _{NC} = 1V, 2V, 3V (Note 7) | Full | - | 7 | 8 | Ω |
| NO or NC OFF Leakage Current, I _{NO(OFF)} or I _{NC(OFF)} | V+ = 5.5V, V _{COM} = 1V, 4.5V, V _{NO} or V _{NC} = 4.5V, 1V | 25 | -3 | 0.01 | 3 | nA |
| | | Full | -5 | - | 5 | nA |
| COM OFF Leakage Current, I _{COM(OFF)} | V+ = 5.5V, V _{COM} = 4.5V, 1V, V _{NO} or V _{NC} = 1V, 4.5V | 25 | -3 | - | 3 | nA |
| | | Full | -5 | - | 5 | nA |
| COM ON Leakage Current, I _{COM(ON)} | V+ = 5.5V, V _{COM} = 1V, 4.5V, or V _{NO} or V _{NC} = 1V, 4.5V or Floating | 25 | -5 | - | 5 | nA |
| | | Full | -10 | - | 10 | nA |
| DYNAMIC CHARACTERISTICS | | | | | | |
| Turn-ON Time, t _{ON} | V _{NO} or V _{NC} = 3V, R _L = 1kΩ, C _L = 35pF, V _{IN} = 0V to 3V (See Figure 1) | 25 | - | 28 | - | ns |
| | | Full | - | 40 | - | ns |
| Turn-OFF Time, t _{OFF} | V _{NO} or V _{NC} = 3V, R _L = 1kΩ, C _L = 35pF, V _{IN} = 0V to 3V (See Figure 1) | 25 | - | 20 | - | ns |
| | | Full | - | 30 | - | ns |
| Break-Before-Make Time Delay, t _D | R _L = 300Ω, C _L = 35pF, V _{NO} = V _{NC} = 3V, V _{IN} = 0V to 3V (See Figure 3) | Full | - | 10 | - | ns |
| Charge Injection, Q | C _L = 1.0nF, V _G = 0V, R _G = 0Ω (See Figure 2) | 25 | - | 3 | - | pC |
| OFF Isolation | R _L = 50Ω, C _L = 5pF, f = 1MHz (See Figure 4) | 25 | - | 76 | - | dB |
| Power Supply Rejection Ratio | R _L = 50Ω, C _L = 5pF, f = 1MHz | 25 | - | 60 | - | dB |
| NO or NC OFF Capacitance, C _{OFF} | f = 1MHz, V _{NO} or V _{NC} = V _{COM} = 0V (See Figure 7) | 25 | - | 8 | - | pF |
| COM OFF Capacitance, C _{COM(OFF)} | f = 1MHz, V _{NO} or V _{NC} = V _{COM} = 0V (See Figure 7) | 25 | - | 8 | - | pF |
| COM ON Capacitance, C _{COM(ON)} | f = 1MHz, V _{NO} or V _{NC} = V _{COM} = 0V (See Figure 7) | 25 | - | 28 | - | pF |

ISL43210

Electrical Specifications - 5V Supply

Test Conditions: $V_+ = +4.5V$ to $+5.5V$, $GND = 0V$, $V_{INH} = 2.4V$, $V_{INL} = 0.8V$ (Note 4), Unless Otherwise Specified. (Continued)

| PARAMETER | TEST CONDITIONS | TEMP (°C) | MIN (Notes 5, 6) | TYP | MAX (Notes 5, 6) | UNITS |
|--------------------------------------|--|-----------|------------------|--------|------------------|---------|
| POWER SUPPLY CHARACTERISTICS | | | | | | |
| Power Supply Range | | Full | 2.7 | - | 12 | V |
| Positive Supply Current, I_+ | $V_+ = 5.5V$, $V_{IN} = 0V$ or V_+ , all channels on or off | Full | -1 | 0.0001 | 1 | μA |
| DIGITAL INPUT CHARACTERISTICS | | | | | | |
| Input Voltage Low, V_{INL} | | Full | - | - | 0.8 | V |
| Input Voltage High, V_{INH} | | Full | 2.4 | - | - | V |
| Input Current, I_{INH} , I_{INL} | $V_+ = 5.5V$, $V_{IN} = 0V$ or V_+ | Full | -1 | - | 1 | μA |

Electrical Specifications - 3.3V Supply

Test Conditions: $V_+ = +3.0V$ to $+3.6V$, $GND = 0V$, $V_{INH} = 2.4V$, $V_{INL} = 0.8V$ (Note 4), Unless Otherwise Specified.

| PARAMETER | TEST CONDITIONS | TEMP (°C) | MIN (Notes 5, 6) | TYP | MAX (Notes 5, 6) | UNITS |
|--|--|-----------|------------------|------|------------------|----------|
| ANALOG SWITCH CHARACTERISTICS | | | | | | |
| Analog Signal Range, V_{ANALOG} | | Full | 0 | - | V_+ | V |
| ON-Resistance, r_{ON} | $V_+ = 3V$, $I_{COM} = 1.0mA$, V_{NO} or $V_{NC} = 1.5V$ | 25 | - | 32 | 50 | Ω |
| | | Full | - | 40 | 60 | Ω |
| r_{ON} Matching Between Channels, Δr_{ON} | $V_+ = 3.3V$, $I_{COM} = 1.0mA$, V_{NO} or $V_{NC} = 1.5V$ | 25 | - | 0.8 | 2 | Ω |
| | | Full | - | 1 | 4 | Ω |
| r_{ON} Flatness, $R_{FLAT(ON)}$ | $V_+ = 3.3V$, $I_{COM} = 1.0mA$, V_{NO} or $V_{NC} = 0.5V$, $1V$, $1.5V$ | 25 | - | 6 | 10 | Ω |
| | | Full | - | 7 | 12 | Ω |
| NO or NC OFF Leakage Current, $I_{NO(OFF)}$ or $I_{NC(OFF)}$ | $V_+ = 3.6V$, $V_{COM} = 1V$, $3V$, V_{NO} or $V_{NC} = 3V$, $1V$ | 25 | -3 | 0.01 | 3 | nA |
| | | Full | -5 | - | 5 | nA |
| COM OFF Leakage Current, $I_{COM(OFF)}$ | $V_+ = 3.6V$, $V_{COM} = 3V$, $1V$, V_{NO} or $V_{NC} = 1V$, $3V$ | 25 | -3 | 0.01 | 3 | nA |
| | | Full | -5 | - | 5 | nA |
| COM ON Leakage Current, $I_{COM(ON)}$ | $V_+ = 3.6V$, $V_{COM} = 1V$, $3V$, or V_{NO} or $V_{NC} = 1V$, $3V$ or floating | 25 | -5 | - | 5 | nA |
| | | Full | -10 | - | 10 | nA |
| DYNAMIC CHARACTERISTICS | | | | | | |
| Turn-ON Time, t_{ON} | V_{NO} or $V_{NC} = 1.5V$, $R_L = 1k\Omega$, $C_L = 35pF$, $V_{IN} = 0V$ to $3V$ | 25 | - | 40 | - | ns |
| | | Full | - | 60 | - | ns |
| Turn-OFF Time, t_{OFF} | V_{NO} or $V_{NC} = 1.5V$, $R_L = 1k\Omega$, $C_L = 35pF$, $V_{IN} = 0V$ to $3V$ | 25 | - | 20 | - | ns |
| | | Full | - | 30 | - | ns |
| Break-Before-Make Time Delay, t_D | $R_L = 300\Omega$, $C_L = 35pF$, V_{NO} or $V_{NC} = 1.5V$, $V_{IN} = 0V$ to $3V$ | Full | - | 20 | - | ns |
| Charge Injection, Q | $C_L = 1.0nF$, $V_G = 0V$, $R_G = 0\Omega$ | 25 | - | 1 | - | pC |
| OFF Isolation | $R_L = 50\Omega$, $C_L = 5pF$, $f = 1MHz$ | 25 | - | 76 | - | dB |
| Power Supply Rejection Ratio | $R_L = 50\Omega$, $C_L = 5pF$, $f = 1MHz$ | 25 | - | 56 | - | dB |
| NO or NC OFF Capacitance, C_{OFF} | $f = 1MHz$, V_{NO} or $V_{NC} = V_{COM} = 0V$ | 25 | - | 8 | - | pF |
| COM OFF Capacitance, $C_{COM(OFF)}$ | $f = 1MHz$, V_{NO} or $V_{NC} = V_{COM} = 0V$ | 25 | - | 8 | - | pF |
| COM ON Capacitance, $C_{COM(ON)}$ | $f = 1MHz$, V_{NO} or $V_{NC} = V_{COM} = 0V$ (See Figure 7) | 25 | - | 28 | - | pF |
| POWER SUPPLY CHARACTERISTICS | | | | | | |
| Positive Supply Current, I_+ | $V_+ = 3.6V$, $V_{IN} = 0V$ or V_+ , all channels on or off | Full | -1 | - | 1 | μA |

Electrical Specifications - 3.3V Supply

Test Conditions: $V_+ = +3.0V$ to $+3.6V$, $GND = 0V$, $V_{INH} = 2.4V$, $V_{INL} = 0.8V$ (Note 4), Unless Otherwise Specified. **(Continued)**

| PARAMETER | TEST CONDITIONS | TEMP (°C) | MIN (Notes 5, 6) | TYP | MAX (Notes 5, 6) | UNITS |
|--------------------------------------|---------------------------------------|-----------|------------------|-----|------------------|---------|
| DIGITAL INPUT CHARACTERISTICS | | | | | | |
| Input Voltage Low, V_{INL} | | Full | - | - | 0.8 | V |
| Input Voltage High, V_{INH} | | Full | 2.4 | - | - | V |
| Input Current, I_{INH} , I_{INL} | $V_+ = 3.6V$, $V_{IN} = 0V$ or V_+ | Full | -1 | - | 1 | μA |

Electrical Specifications - 12V Supply

Test Conditions: $V_+ = +10.8V$ to $+13V$, $GND = 0V$, $V_{INH} = 4V$, $V_{INL} = 0.8V$ (Note 4), Unless Otherwise Specified.

| PARAMETER | TEST CONDITIONS | TEMP (°C) | MIN (Notes 5, 6) | TYP | MAX (Notes 5, 6) | UNITS |
|--|---|-----------|------------------|------|------------------|----------|
| ANALOG SWITCH CHARACTERISTICS | | | | | | |
| Analog Signal Range, V_{ANALOG} | | Full | 0 | - | V_+ | V |
| ON-Resistance, r_{ON} | $V_+ = 10.8V$, $I_{COM} = 1.0mA$, V_{NO} or $V_{NC} = 10V$ | 25 | - | 11 | 20 | Ω |
| | | Full | - | 15 | 25 | Ω |
| r_{ON} Matching Between Channels, Δr_{ON} | $V_+ = 12V$, $I_{COM} = 1.0mA$, V_{NO} or $V_{NC} = 10V$ | 25 | - | 0.8 | 2 | Ω |
| | | Full | - | 1 | 4 | Ω |
| r_{ON} Flatness, $R_{FLAT(ON)}$ | $V_+ = 12V$, $I_{COM} = 1.0mA$, V_{NO} or $V_{NC} = 3V, 6V, 9V$ (Note 7) | 25 | - | 1 | 4 | Ω |
| | | Full | - | - | 6 | Ω |
| NO or NC OFF Leakage Current, $I_{NO(OFF)}$ or $I_{NC(OFF)}$ | $V_+ = 13V$, $V_{COM} = 1V, 12V$, V_{NO} or $V_{NC} = 12V, 1V$ | 25 | -3 | 0.01 | 3 | nA |
| | | Full | -5 | - | 5 | nA |
| COM OFF Leakage Current, $I_{COM(OFF)}$ | $V_+ = 13V$, $V_{COM} = 12V, 1V$, V_{NO} or $V_{NC} = 1V, 12V$ | 25 | -3 | 0.01 | 3 | nA |
| | | Full | -5 | - | 5 | nA |
| COM ON Leakage Current, $I_{COM(ON)}$ | $V_+ = 13V$, $V_{COM} = 1V, 12V$, or V_{NO} or $V_{NC} = 1V, 12V$ or floating | 25 | -5 | - | 5 | nA |
| | | Full | -10 | - | 10 | nA |
| DYNAMIC CHARACTERISTICS | | | | | | |
| Turn-ON Time, t_{ON} | V_{NO} or $V_{NC} = 10V$, $R_L = 1k\Omega$, $C_L = 35pF$, $V_{IN} = 0V$ to $4V$ | 25 | - | 25 | - | ns |
| | | Full | - | 35 | - | ns |
| Turn-OFF Time, t_{OFF} | V_{NO} or $V_{NC} = 10V$, $R_L = 1k\Omega$, $C_L = 35pF$, $V_{IN} = 0V$ to $4V$ | 25 | - | 17 | - | ns |
| | | Full | - | 26 | - | ns |
| Break-Before-Make Time Delay, t_D | $R_L = 300\Omega$, $C_L = 35pF$, V_{NO} or $V_{NC} = 10V$, $V_{IN} = 0V$ to $4V$ | Full | - | 2 | - | ns |
| Charge Injection, Q | $C_L = 1.0nF$, $V_G = 0V$, $R_G = 0\Omega$ | 25 | - | 5 | - | pC |
| OFF Isolation | $R_L = 50\Omega$, $C_L = 5pF$, $f = 1MHz$ | 25 | - | 76 | - | dB |
| Crosstalk (Channel-to-Channel) | $R_L = 50\Omega$, $C_L = 5pF$, $f = 1MHz$ | 25 | - | -105 | - | dB |
| Power Supply Rejection Ratio | $R_L = 50\Omega$, $C_L = 5pF$, $f = 1MHz$ | 25 | - | 63 | - | dB |
| NO or NC OFF Capacitance, C_{OFF} | $f = 1MHz$, V_{NO} or $V_{NC} = V_{COM} = 0V$ | 25 | - | 8 | - | pF |
| COM OFF Capacitance, $C_{COM(OFF)}$ | $f = 1MHz$, V_{NO} or $V_{NC} = V_{COM} = 0V$ | 25 | - | 8 | - | pF |
| COM ON Capacitance, $C_{COM(ON)}$ | $f = 1MHz$, V_{NO} or $V_{NC} = V_{COM} = 0V$ (See Figure 7) | 25 | - | 28 | - | pF |
| POWER SUPPLY CHARACTERISTICS | | | | | | |
| Positive Supply Current, I_+ | $V_+ = 13V$, $V_{IN} = 0V$ or V_+ , all channels on or off | Full | -1 | - | 1 | μA |

Electrical Specifications - 12V Supply

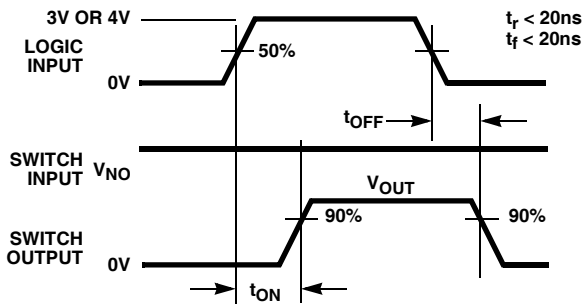
Test Conditions: $V_+ = +10.8V$ to $+13V$, $GND = 0V$, $V_{INH} = 4V$, $V_{INL} = 0.8V$ (Note 4), Unless Otherwise Specified. (Continued)

| PARAMETER | TEST CONDITIONS | TEMP (°C) | MIN (Notes 5, 6) | TYP | MAX (Notes 5, 6) | UNITS |
|--------------------------------------|--------------------------------------|-----------|------------------|-----|------------------|---------|
| DIGITAL INPUT CHARACTERISTICS | | | | | | |
| Input Voltage Low, V_{INL} | | Full | - | - | 0.8 | V |
| Input Voltage High, V_{INH} | | Full | 4 | - | - | V |
| Input Current, I_{INH} , I_{INL} | $V_+ = 13V$, $V_{IN} = 0V$ or V_+ | Full | -1 | - | 1 | μA |

NOTES:

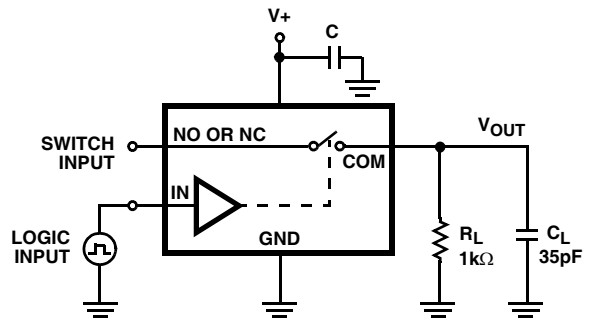
4. V_{IN} = input voltage to perform proper function.
5. The algebraic convention, whereby the most negative value is a minimum and the most positive a maximum, is used in this data sheet.
6. Parts are 100% tested at +25°C. Over-temperature limits established by characterization and are not production tested.
7. Limits established by characterization and are not production tested.

Test Circuits and Waveforms



Logic input waveform is inverted for switches that have the opposite logic sense.

FIGURE 1A. MEASUREMENT POINTS



Repeat test for all switches. C_L includes fixture and stray capacitance.

$$V_{OUT} = V_{(NO \text{ or } NC)} \frac{R_L}{R_L + r_{ON}}$$

FIGURE 1B. TEST CIRCUIT

FIGURE 1. SWITCHING TIMES

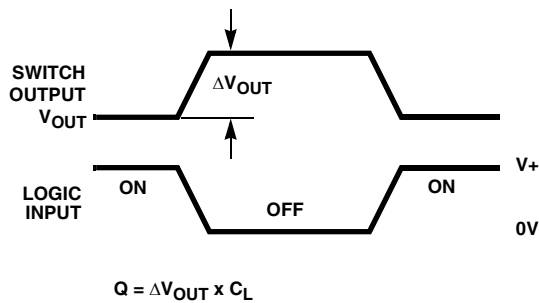


FIGURE 2A. MEASUREMENT POINTS

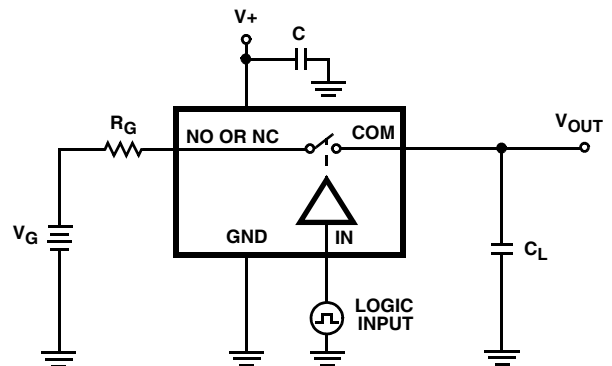


FIGURE 2B. TEST CIRCUIT

FIGURE 2. CHARGE INJECTION

Test Circuits and Waveforms (Continued)

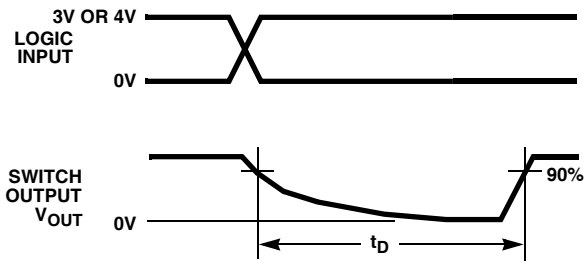


FIGURE 3A. MEASUREMENT POINTS

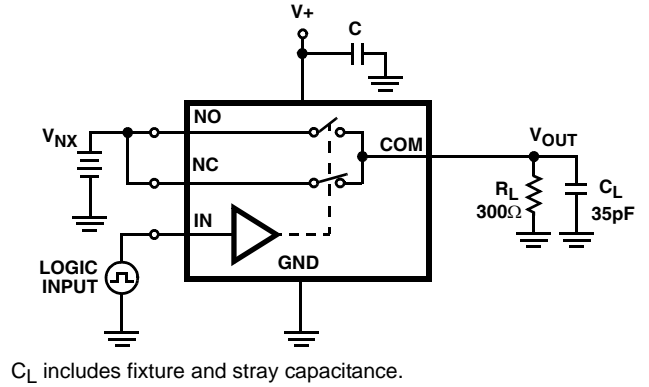


FIGURE 3B. TEST CIRCUIT

FIGURE 3. BREAK-BEFORE-MAKE TIME

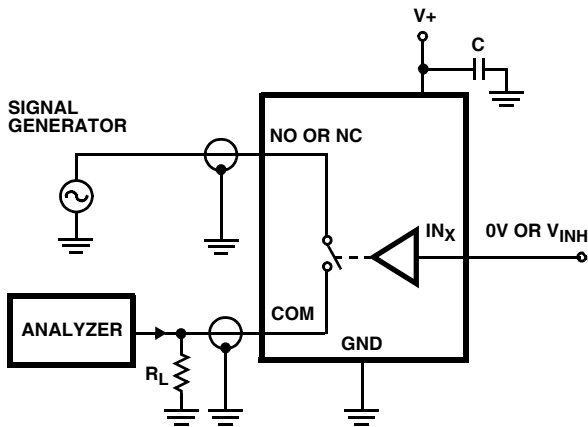


FIGURE 4. OFF ISOLATION TEST CIRCUIT

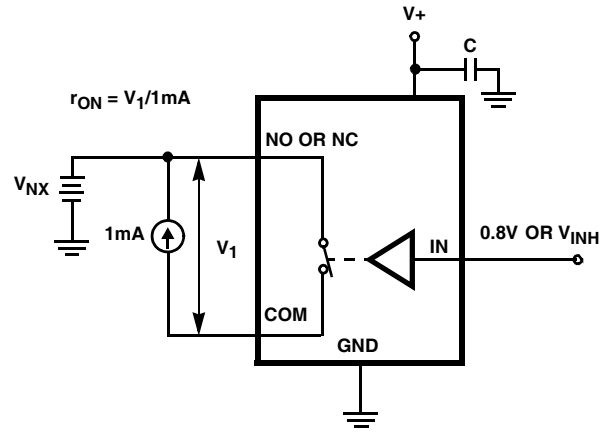


FIGURE 5. r_{ON} TEST CIRCUIT

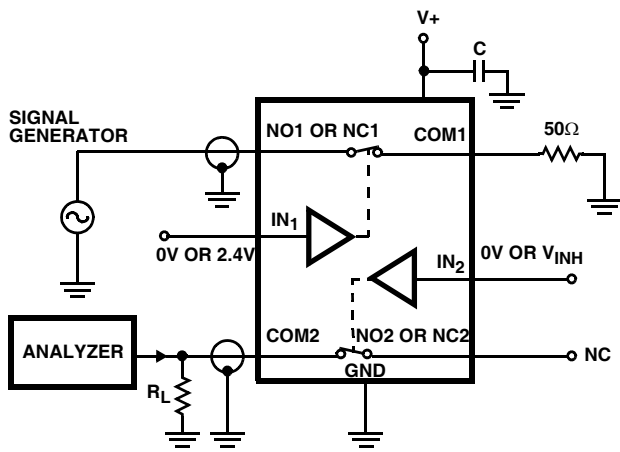


FIGURE 6. CROSSTALK TEST CIRCUIT

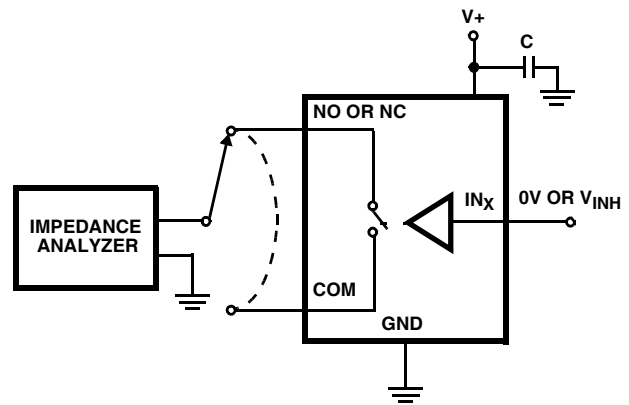


FIGURE 7. CAPACITANCE TEST CIRCUIT

Detailed Description

The ISL43210 bidirectional, single SPDT analog switch offers precise switching capability from a single 2.7V to 12V supply with low ON-resistance (19Ω) and high speed operation ($t_{ON} = 28\text{ns}$, $t_{OFF} = 20\text{ns}$). The device is especially well suited to portable battery powered equipment thanks to the low operating supply voltage (2.7V), low power consumption ($5\mu\text{W}$), low leakage currents (3nA max), and the tiny SOT-23 packaging. High frequency applications also benefit from the wide bandwidth, and the very high off isolation rejection.

Supply Sequencing and Overvoltage Protection

With any CMOS device, proper power supply sequencing is required to protect the device from excessive input currents which might permanently damage the IC. All I/O pins contain ESD protection diodes from the pin to $V+$ and GND (see Figure 8). To prevent forward biasing these diodes, $V+$ must be applied before any input signals, and input signal voltages must remain between $V+$ and GND. If these conditions cannot be guaranteed, then one of the following two protection methods should be employed.

Logic inputs can easily be protected by adding a $1\text{k}\Omega$ resistor in series with the input (see Figure 8). The resistor limits the input current below the threshold that produces permanent damage, and the sub-microamp input current produces an insignificant voltage drop during normal operation.

Adding a series resistor to the switch input defeats the purpose of using a low r_{ON} switch, so two small signal diodes can be added in series with the supply pins to provide overvoltage protection for all pins (see Figure 8). These additional diodes limit the analog signal from 1V below $V+$ to 1V above GND. The low leakage current performance is unaffected by this approach, but the switch resistance may increase, especially at low supply voltages.

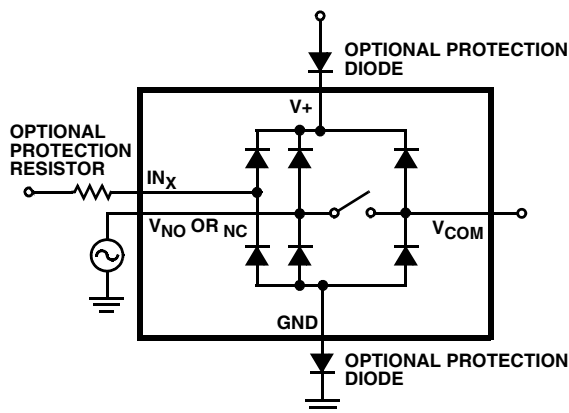


FIGURE 8. OVERVOLTAGE PROTECTION

Power-Supply Considerations

The ISL43210 construction is typical of most CMOS analog switches, except that they have only two supply pins: $V+$ and GND. $V+$ and GND drive the internal CMOS switches and set their analog voltage limits. Unlike switches with a 13V maximum supply voltage, the ISL43210 15V maximum supply voltage provides plenty of room for the 10% tolerance of 12V supplies, as well as room for overshoot and noise spikes.

The minimum recommended supply voltage is 2.7V. It is important to note that the input signal range, switching times, and ON-resistance degrade at lower supply voltages. Refer to the "Electrical Specification" tables beginning on page 5 and "Typical Performance Curves" beginning on page 9 for details.

$V+$ and GND also power the internal logic and level shifter. The level shifter convert the input logic levels to switched $V+$ and GND signals to drive the analog switch gate terminals.

This device cannot be operated with bipolar supplies, because the input switching point becomes negative in this configuration.

Logic-Level Thresholds

This switch is TTL compatible (0.8V and 2.4V) over a supply range of 3V to 11V (see Figure 15). At 12V the V_{IH} level is about 2.5V. This is still below the TTL guaranteed high output minimum level of 2.8V, but noise margin is reduced. For best results with a 12V supply, use a logic family that provides a V_{OH} greater than 3V.

The digital input stages draw supply current whenever the digital input voltage is not at one of the supply rails. Driving the digital input signals from GND to $V+$ with a fast transition time minimizes power dissipation.

High-Frequency Performance

In 50Ω systems, signal response is reasonably flat even past 300MHz (see Figure 16). Figure 16 also illustrates that the frequency response is very consistent over a wide $V+$ range, and for varying analog signal levels.

An OFF switch acts like a capacitor and passes higher frequencies with less attenuation, resulting in signal feedthrough from a switch's input to its output. Off isolation is the resistance to this feedthrough. Figure 17 details the high off isolation rejection provided by this part. At 10MHz, off isolation is about 50dB in 50Ω systems, decreasing approximately 20dB per decade as frequency increases. Higher load impedances decrease off isolation rejection due to the voltage divider action of the switch OFF impedance and the load impedance.

Leakage Considerations

Reverse ESD protection diodes are internally connected between each analog-signal pin and both $V+$ and GND. One of

these diodes conducts if any analog signal exceeds V+ or GND.

Virtually all the analog leakage current comes from the ESD diodes to V+ or GND. Although the ESD diodes on a given signal pin are identical and therefore fairly well balanced, they are reverse biased differently. Each is biased by either V+ or GND and the analog signal. This means their leakages will vary as the signal varies. The difference in the two diode

leakages to the V+ and GND pins constitutes the analog-signal-path leakage current. All analog leakage current flows between each pin and one of the supply terminals, not to the other switch terminal. This is why both sides of a given switch can show leakage currents of the same or opposite polarity. There is no connection between the analog signal paths and V+ or GND.

Typical Performance Curves $T_A = +25^\circ\text{C}$, Unless Otherwise Specified.

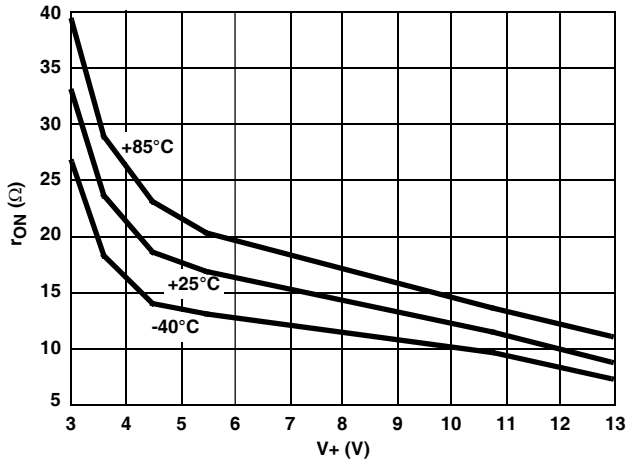


FIGURE 9. ON-RESISTANCE vs SUPPLY VOLTAGE

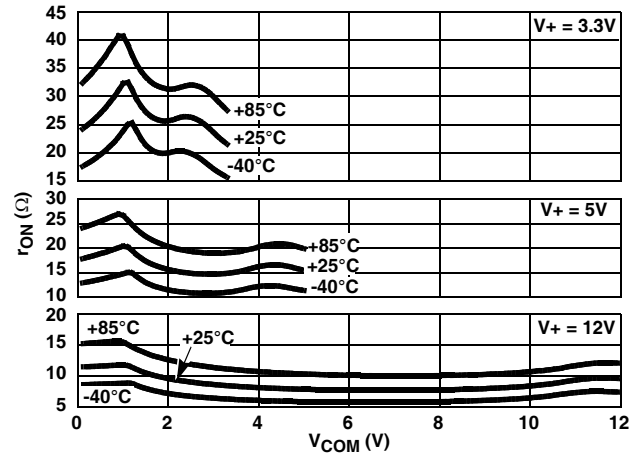


FIGURE 10. ON-RESISTANCE vs SWITCH VOLTAGE

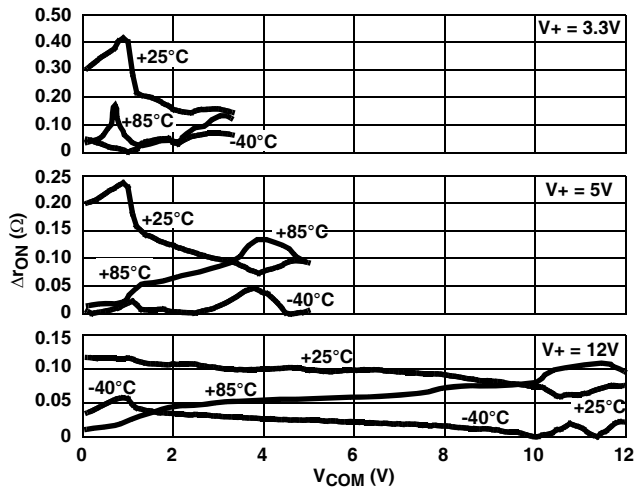


FIGURE 11. r_{ON} MATCH vs SWITCH VOLTAGE

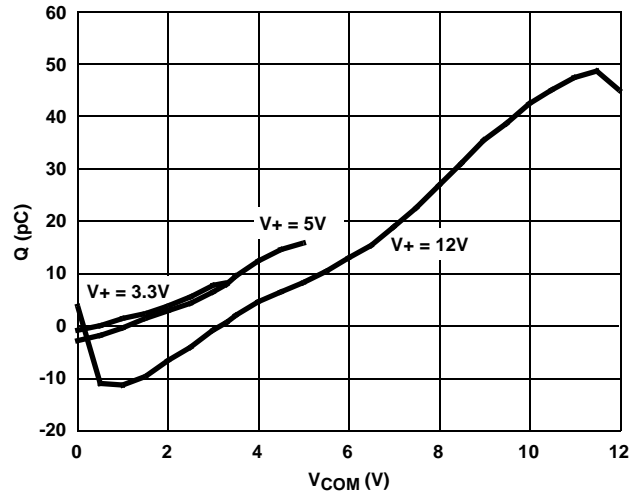


FIGURE 12. CHARGE INJECTION vs SWITCH VOLTAGE

Typical Performance Curves $T_A = +25^\circ\text{C}$, Unless Otherwise Specified. (Continued)

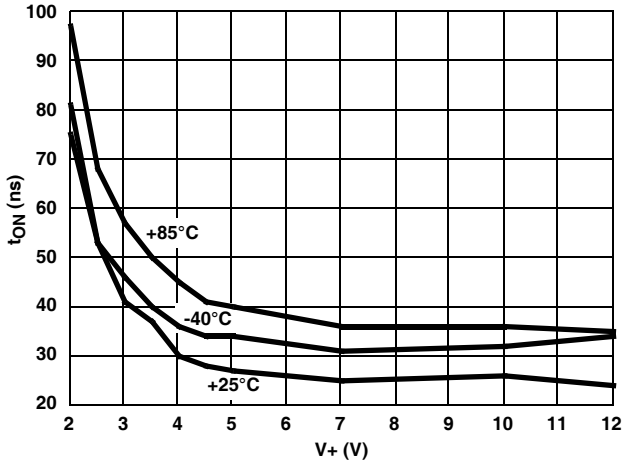


FIGURE 13. TURN-ON TIME vs SUPPLY VOLTAGE

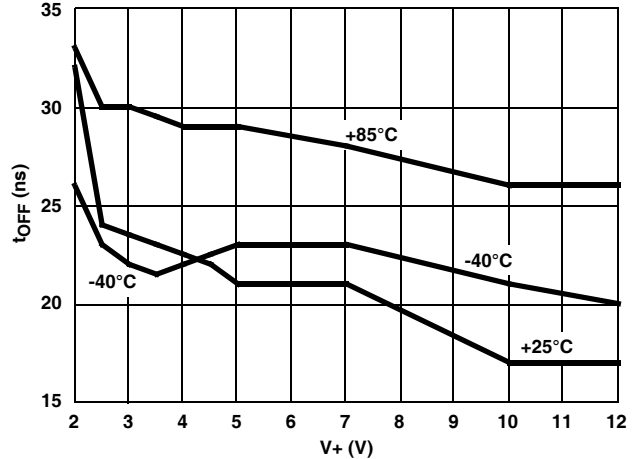


FIGURE 14. TURN-OFF TIME vs SUPPLY VOLTAGE

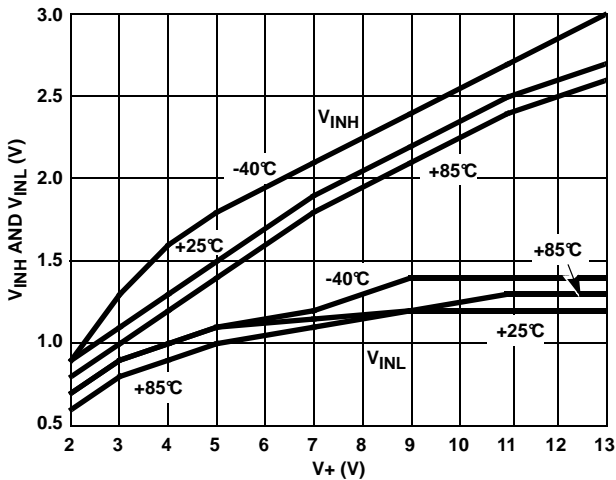


FIGURE 15. DIGITAL SWITCHING POINT vs SUPPLY VOLTAGE

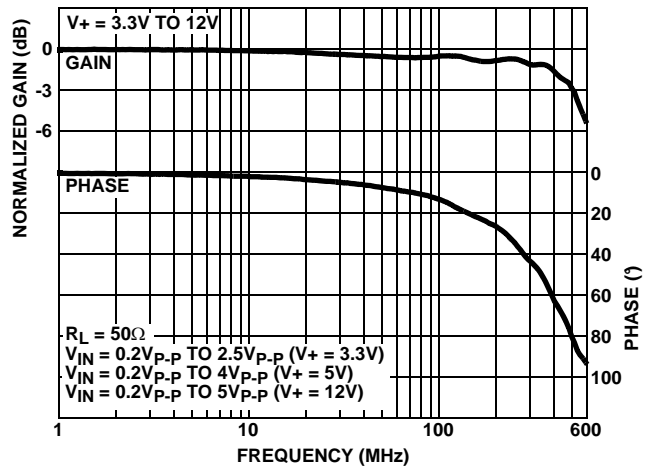


FIGURE 16. FREQUENCY RESPONSE

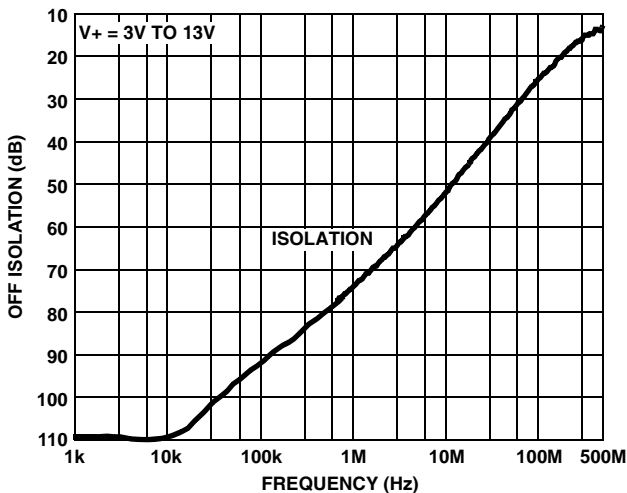


FIGURE 17. OFF ISOLATION

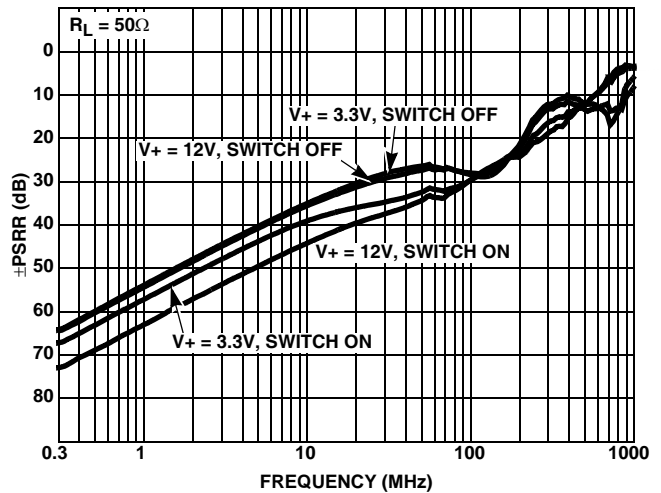


FIGURE 18. \pm PSRR vs FREQUENCY

Die Characteristics

SUBSTRATE POTENTIAL (POWERED UP):

GND

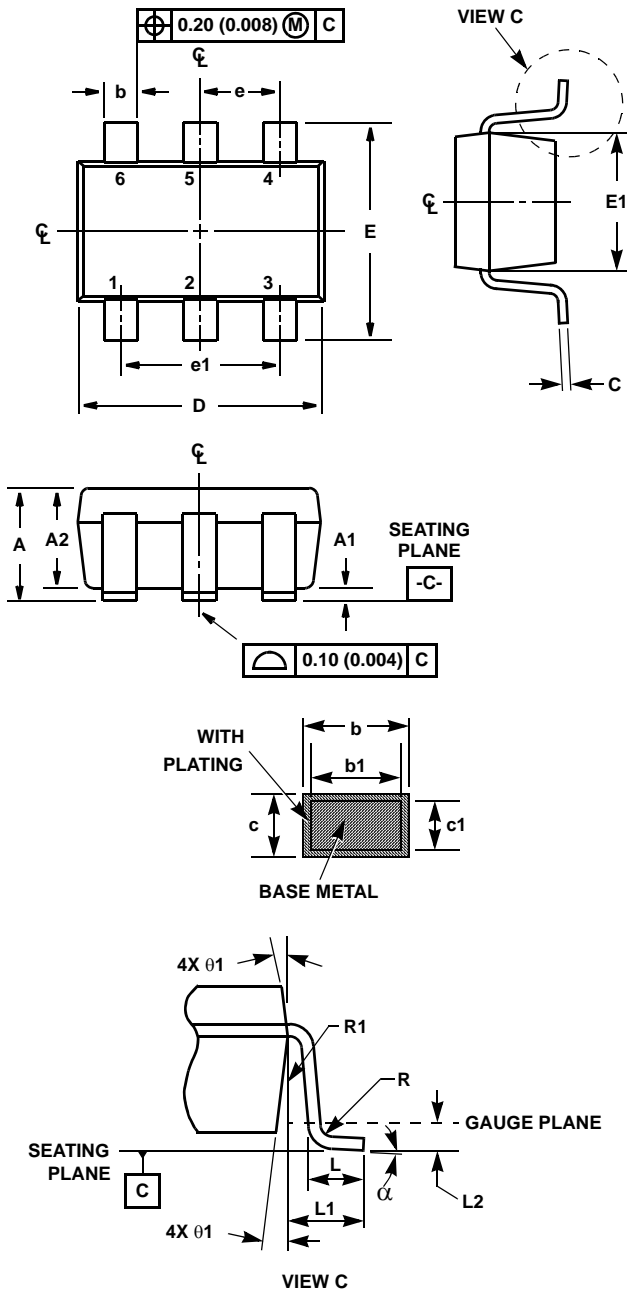
TRANSISTOR COUNT:

ISL43210: 58

PROCESS:

Si Gate CMOS

Small Outline Transistor Plastic Packages (SOT23-6)



P6.064

6 LEAD SMALL OUTLINE TRANSISTOR PLASTIC PACKAGE

| SYMBOL | INCHES | | MILLIMETERS | | NOTES |
|----------|------------|--------|-------------|------|-------|
| | MIN | MAX | MIN | MAX | |
| A | 0.036 | 0.057 | 0.90 | 1.45 | - |
| A1 | 0.000 | 0.0059 | 0.00 | 0.15 | - |
| A2 | 0.036 | 0.051 | 0.90 | 1.30 | - |
| b | 0.012 | 0.020 | 0.30 | 0.50 | - |
| b1 | 0.012 | 0.018 | 0.30 | 0.45 | - |
| c | 0.003 | 0.009 | 0.08 | 0.22 | 6 |
| c1 | 0.003 | 0.008 | 0.08 | 0.20 | 6 |
| D | 0.111 | 0.118 | 2.80 | 3.00 | 3 |
| E | 0.103 | 0.118 | 2.60 | 3.00 | - |
| E1 | 0.060 | 0.068 | 1.50 | 1.75 | 3 |
| e | 0.0374 Ref | | 0.95 Ref | | - |
| e1 | 0.0748 Ref | | 1.90 Ref | | - |
| L | 0.014 | 0.022 | 0.35 | 0.55 | 4 |
| L1 | 0.024 Ref. | | 0.60 Ref. | | |
| L2 | 0.010 Ref. | | 0.25 Ref. | | |
| N | 6 | | 6 | | 5 |
| R | 0.004 | - | 0.10 | - | |
| R1 | 0.004 | 0.010 | 0.10 | 0.25 | |
| α | 0° | 8° | 0° | 8° | - |

Rev. 3 9/03

NOTES:

1. Dimensioning and tolerance per ASME Y14.5M-1994.
2. Package conforms to EIAJ SC-74 and JEDEC MO178AB.
3. Dimensions D and E1 are exclusive of mold flash, protrusions, or gate burrs.
4. Footlength L measured at reference to gauge plane.
5. "N" is the number of terminal positions.
6. These Dimensions apply to the flat section of the lead between 0.08mm and 0.15mm from the lead tip.
7. Controlling dimension: MILLIMETER. Converted inch dimensions are for reference only

All Intersil U.S. products are manufactured, assembled and tested utilizing ISO9000 quality systems. Intersil Corporation's quality certifications can be viewed at www.intersil.com/design/quality

Intersil products are sold by description only. Intersil Corporation reserves the right to make changes in circuit design, software and/or specifications at any time without notice. Accordingly, the reader is cautioned to verify that data sheets are current before placing orders. Information furnished by Intersil is believed to be accurate and reliable. However, no responsibility is assumed by Intersil or its subsidiaries for its use; nor for any infringements of patents or other rights of third parties which may result from its use. No license is granted by implication or otherwise under any patent or patent rights of Intersil or its subsidiaries.

For information regarding Intersil Corporation and its products, see www.intersil.com