

4 TERMINAL 2A OUTPUT LOW DROPOUT VOLTAGE REGULATOR

The KIA278R × × Series are Low Dropout Voltage Regulator suitable for various electronic equipments. It provides constant voltage power source with TO-220-4 terminal lead full molded PKG.

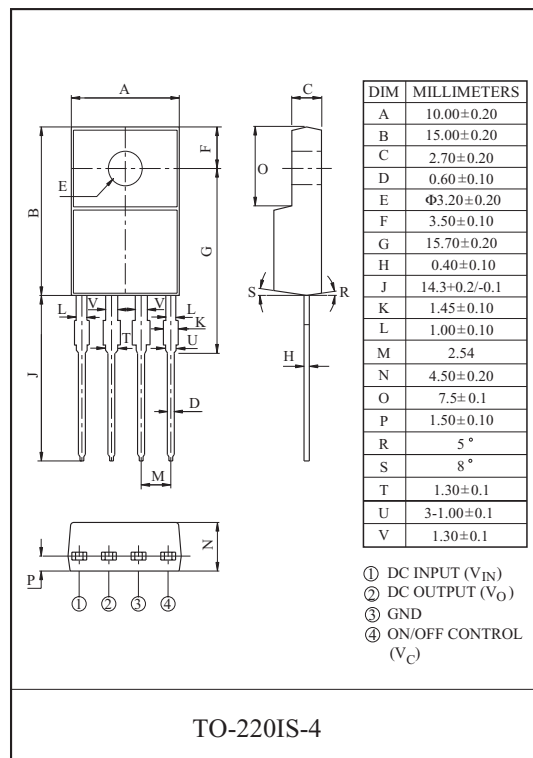
The Regulator has multi function such as over current protection, overheat protection and ON/OFF control.

FEATURES

- 2.0A Output Low Dropout Voltage Regulator.
- Built in ON/OFF Control Terminal.
- Built in Over Current Protection, Over Heat Protection Function.

LINE UP

ITEM	OUTPUT VOLTAGE (Typ.)	UNIT
KIA278R25PI	2.5	V
KIA278R33PI	3.3	
KIA278R35PI	3.5	



MAXIMUM RATINGS (T_a=25 °C)

CHARACTERISTIC	SYMBOL	RATING	UNIT	Remark
Input Voltage	V _{IN}	35	V	-
ON/OFF Control Voltage	V _C	35	V	-
Output Current	I _O	2	A	-
Power Dissipation 1	P _{D1}	1.5	W	No Heatsink
Power Dissipation 2	P _{D2}	15	W	Infinite Heatsink
Operating Junction Temperature	T _{J(opr)}	-40 ~ 150	°C	-
Storage Temperature	T _{stg}	-45 ~ 150	°C	-
Soldering Temperature (10sec)	T _{sol}	260	°C	-

KIA278R25PI~KIA278R35PI

ELECTRICAL CHARACTERISTICS

(Unless otherwise specified, $I_O=1.0A$, $T_a=25^\circ C$, Note1.)

CHARACTERISTIC		SYMBOL	CONDITIONS	MIN.	TYP.	MAX.	UNIT
Output Voltage	KIA278R25	V_O	-	2.438	2.50	2.562	V
	KIA278R33		-	3.220	3.30	3.380	
	KIA278R35		-	3.413	3.50	3.587	
Load Regulation		Reg Load	$I_O=5mA \sim 2A$	-	0.1	2.0	%
Line Regulation		Reg Line	(Note 2)	-	0.5	2.5	%
Temperature Coefficient of Output Voltage		$T_C V_O$	$T_j=0 \sim 125^\circ C$	-	± 0.02	± 0.05	%/ $^\circ C$
Ripple Rejection		$R \cdot R$	-	45	55	-	dB
Dropout Voltage		V_D	$I_O=2A$	-	-	0.5	V
Output ON state for control Voltage		$V_{C(ON)}$	-	2.0	-	-	V
Output ON state for control Current		$I_{C(ON)}$	$V_C=2.7V$	-	-	20	μA
Output OFF state for control Voltage		$V_{C(OFF)}$	-	-	-	0.8	V
Output OFF state for control Current		$I_{C(OFF)}$	$V_C=0.4V$	-	-	-0.4	mA
Quiescent Current		I_Q	$I_O=0$	-	-	10	mA

Note1) V_{IN} of KIA278R25=4.2V Note2) V_{IN} of KIA278R25=3.2~10V Note3) At $V_{IN}=0.95V_O$

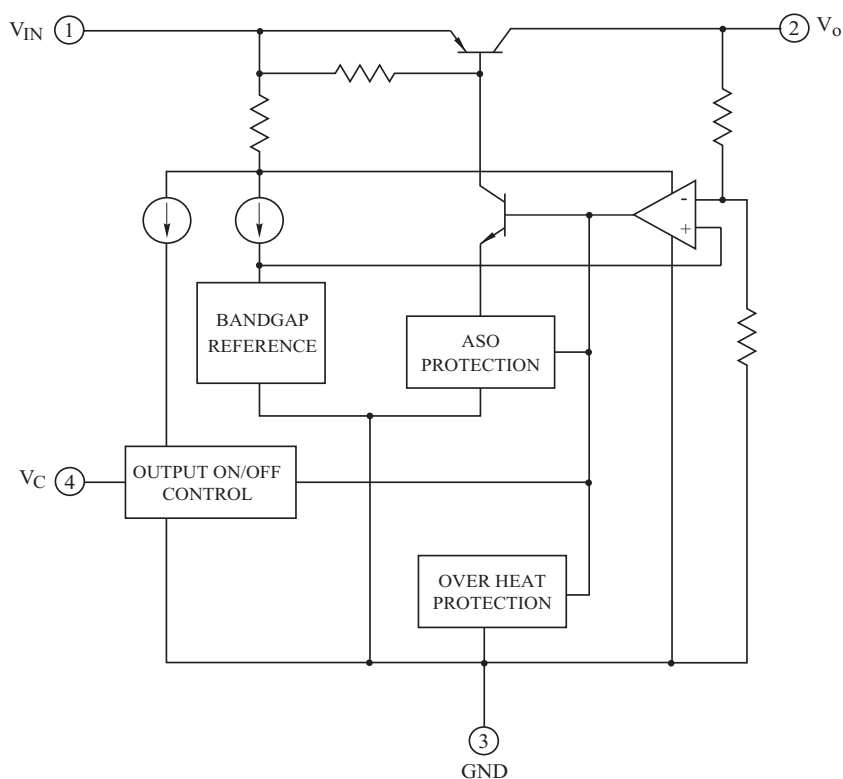
" KIA278R33=5.0V

" KIA278R33=4.0~10V

" KIA278R35=5.2V

" KIA278R35=4.2~10V

BLOCK DIAGRAM



KIA278R25PI~KIA278R35PI

Fig. 1 Standard Test Circuit

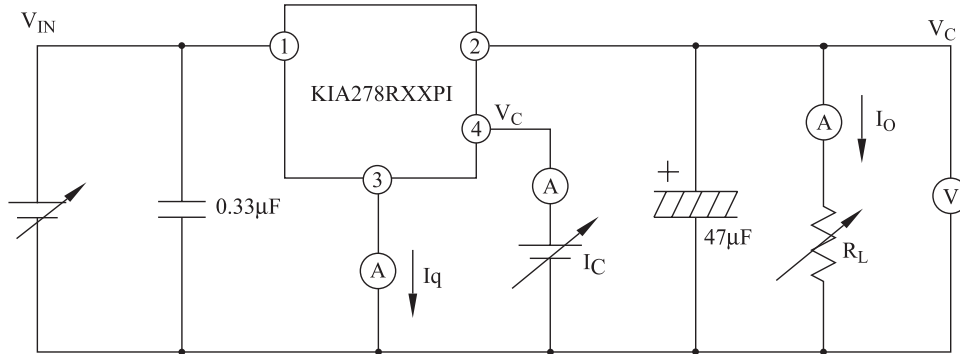


Fig. 2 Ripple Rejection Test Circuit

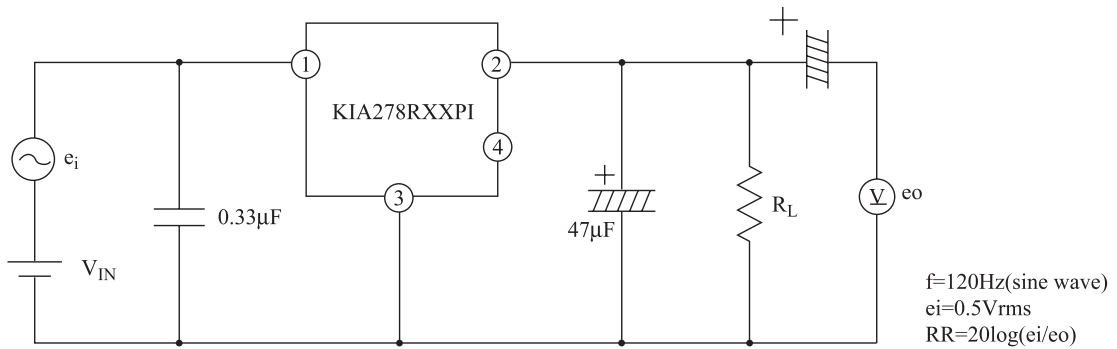
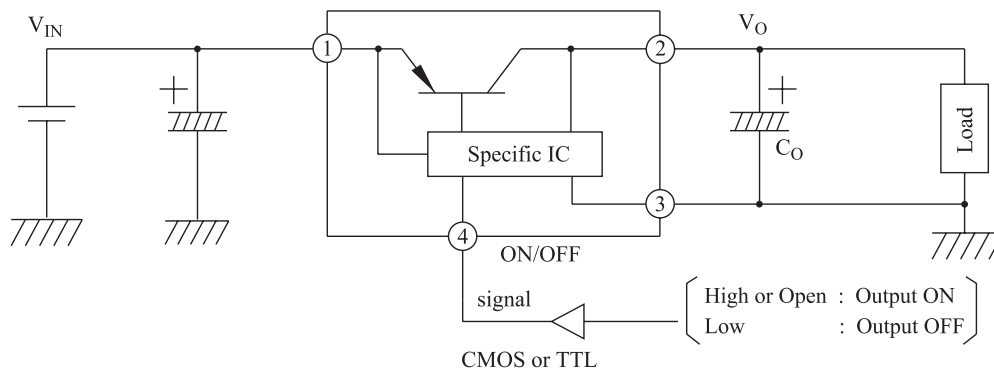
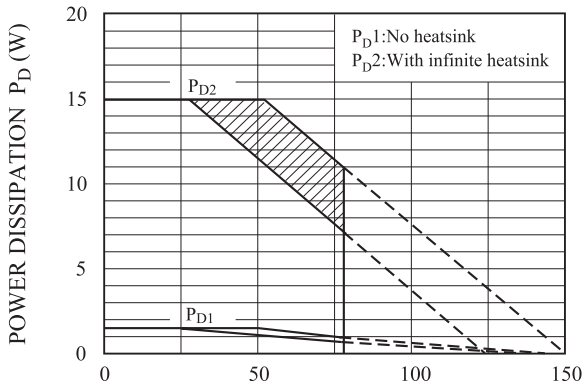


Fig. 3 Application Circuit for Standard



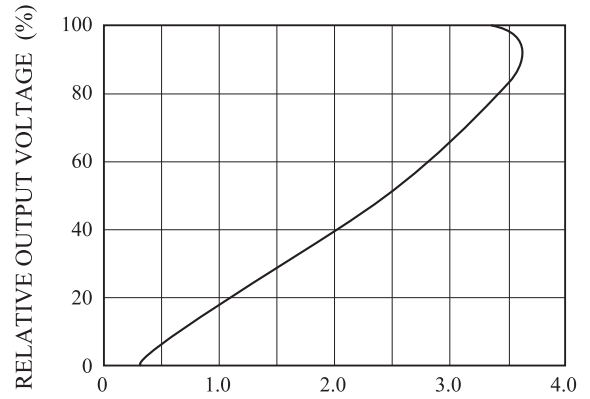
KIA278R25PI~KIA278R35PI

Fig.4 $T_a - P_D$



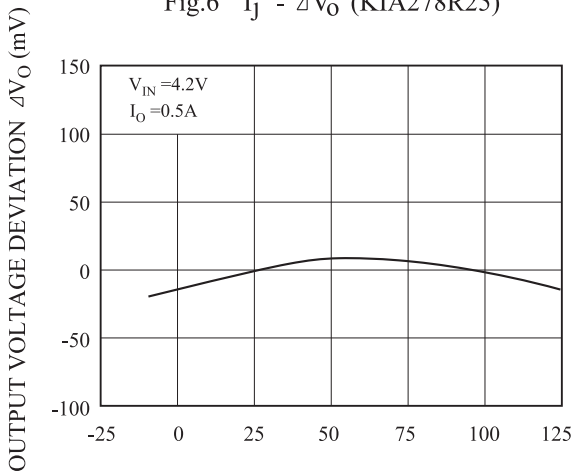
AMBIENT TEMPERATURE T_a (°C)
 Note) Oblique line portion : Overheat protection may operate in this area.

Fig.5 $I_O - V_O$



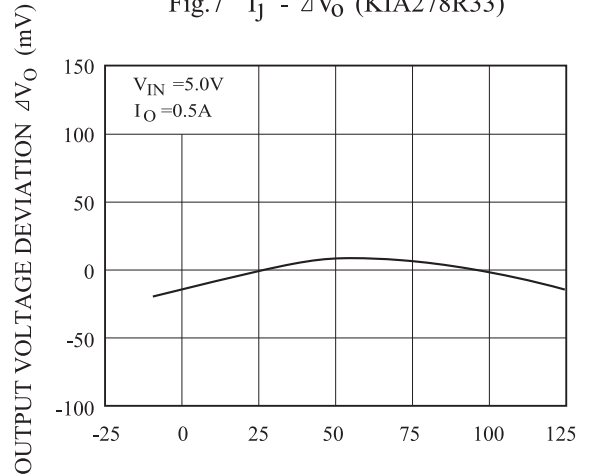
OUTPUT CURRENT I_O (A)

Fig.6 $T_j - \Delta V_O$ (KIA278R25)



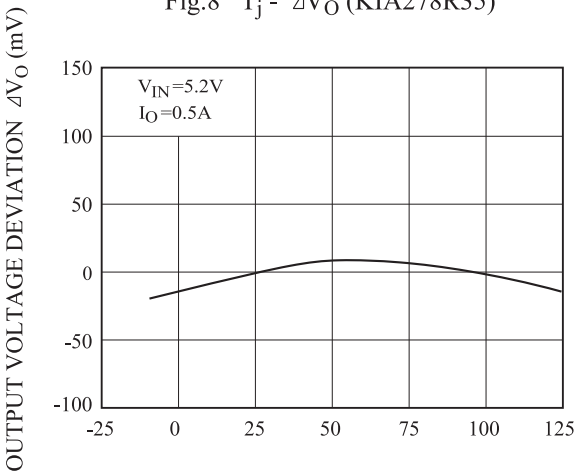
JUNCTION TEMPERATURE T_j (°C)

Fig.7 $T_j - \Delta V_O$ (KIA278R33)



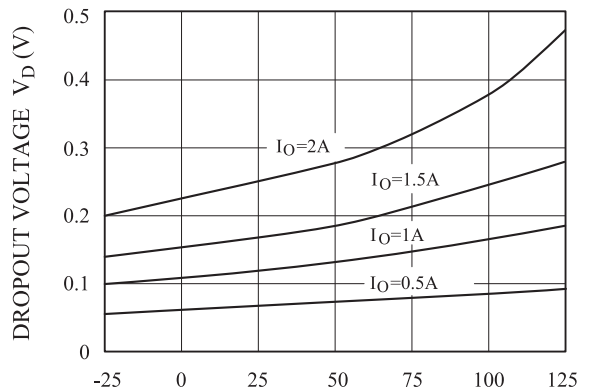
JUNCTION TEMPERATURE T_j (°C)

Fig.8 $T_j - \Delta V_O$ (KIA278R35)



JUNCTION TEMPERATURE T_j (°C)

Fig.9 $T_j - V_D$



JUNCTION TEMPERATURE T_j (°C)

KIA278R25PI~KIA278R35PI

Fig.10 $T_j - I_q$

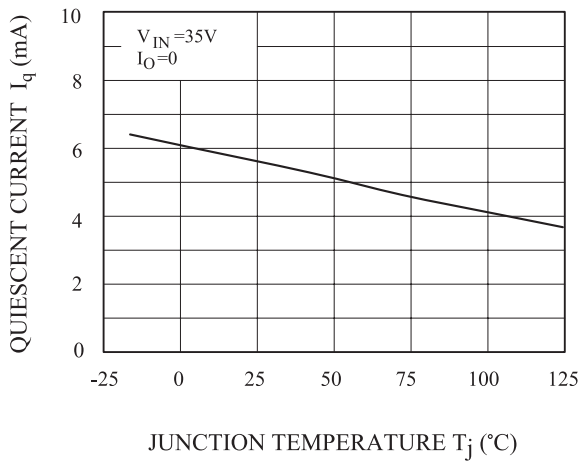


Fig.11 $f - RR$

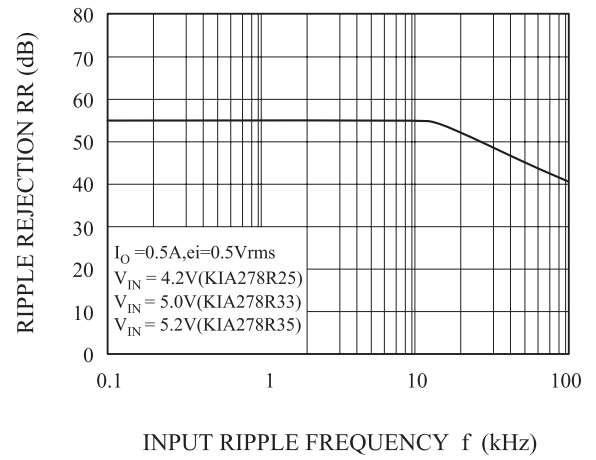


Fig.12 $I_O - RR$

