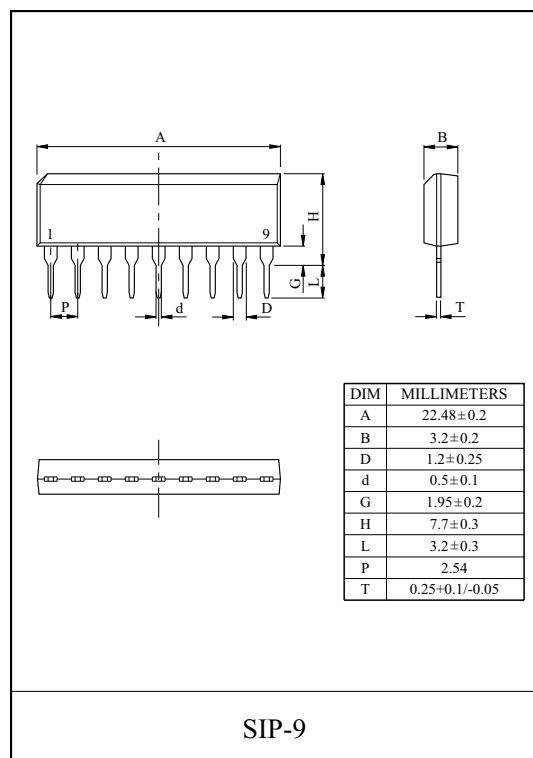


FM FRONT-END

The KIA6058S/AS are designed for a FM front-end application, which are suitable to a portable radio or a radio cassette. Comparing with conventional types, supply voltage dependence, overload characteristics and spurious radiation characteristics are improved.

FEATURES

- Wide supply voltage range
: $V_{CC(opr.)}=1.6 \sim 6.0V$.
- Excellent supply voltage dependence of local oscillator
: Oscillation stop $V_{CC}=0.9V$ (Typ.).
- Improved inter-modulation characteristics by double balanced type mixer circuit.
- Low spurious radiation.
- Built-in clamping diode for the local oscillator output.



MAXIMUM RATINGS (Ta=25 °C)

CHARACTERISTIC	SYMBOL	RATING	UNIT
Supply Voltage	V_{CC}	8	V
Power Dissipation (Note)	P_D	500	mW
Operating Temperature	T_{opr}	-25 ~ 75	°C
Storage Temperature	T_{stg}	-55 ~ 150	°C

Note : Derated above $T_a=25\text{ }^\circ\text{C}$ in the proportion of $4\text{mW}/^\circ\text{C}$ for KIA6058S/AS

KIA6058S/AS

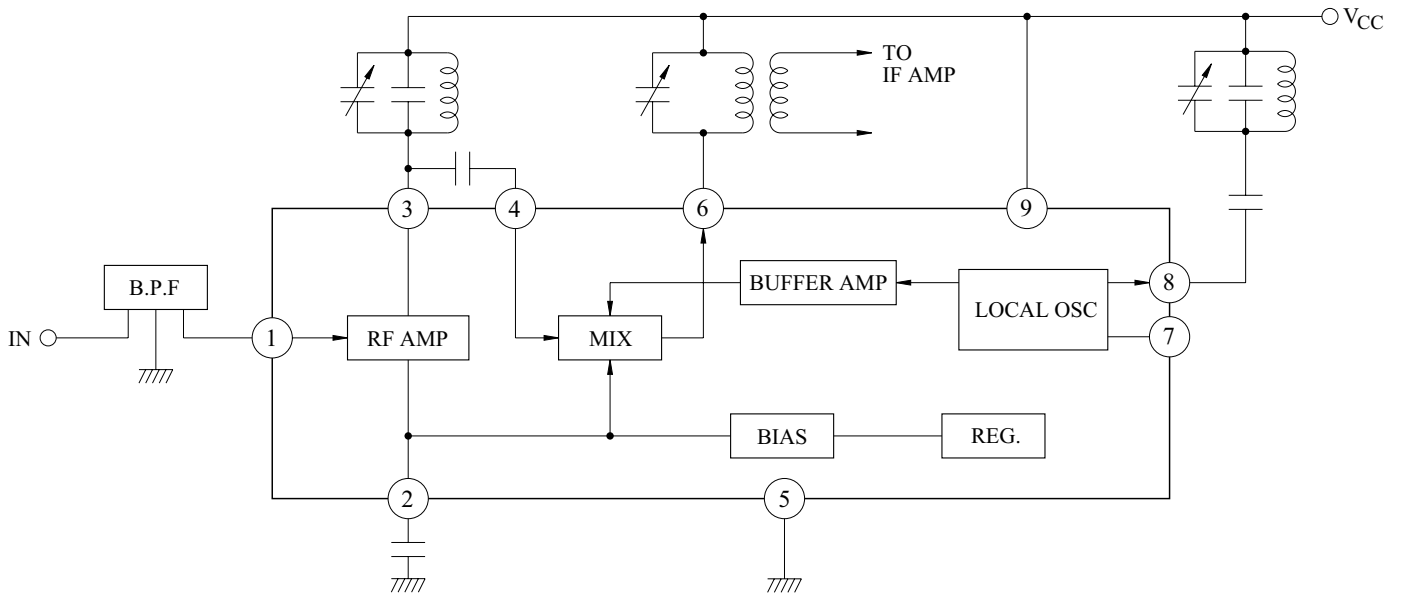
ELECTRICAL CHARACTERISTICS

($V_{CC}=5V$, $f=98MHz$, $f_m=1kHz$, $\Delta f=22.5kHz$ dev., $T_a=25^\circ C$)

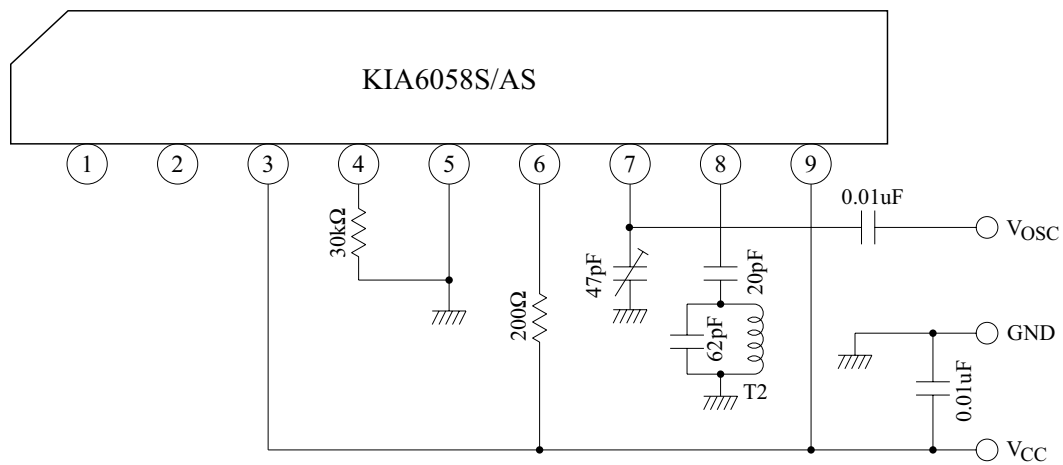
CHARACTERISTIC		SYMBOL	TEST CIRCUIT	TEST CONDITION	MIN.	TYP.	MAX.	UNIT
Supply Current		I_{CC}	2	$V_{IN}=0$	-	5.2	8.0	mA
-3dB Limiting Sensitivity		$V_{IN(lim)}$	2		-	3.0	7.0	dB μ
Quiescent Sensitivity		Q_S	2		-	11.0	-	dB μ
Conversion Gain		G_C	-		-	31	-	dB
Local OSC Voltage	KIA6058S	V_{OSC}	1	$f_{osc}=60MHz$	150	230	350	mV $_{rms}$
	KIA6058AS				90	165	220	
Pin ① Impedance	Parallel Input Resistance	r_{ip1}	3	$f=98MHz$	-	57	-	Ω
Pin ③ Impedance	Parallel Output Resistance	r_{op3}	3		-	25	-	k Ω
	Parallel Output Capacitance	c_{op3}			-	2.0	-	pF
Pin ④ Impedance	Parallel Input Resistance	r_{ip4}	3		-	2.7	-	k Ω
	Parallel Input Capacitance	c_{ip4}			-	3.3	-	pF
Pin ⑥ Impedance	Parallel Output Resistance	r_{op6}	3		$f=10.7MHz$	-	100	-
	Parallel Output Capacitance	c_{op6}		-		4.8	-	pF
Local OSC Stop Voltage		V_{stop}	1		-	0.9	1.3	V

KIA6058S/AS

BLOCK DIAGRAM

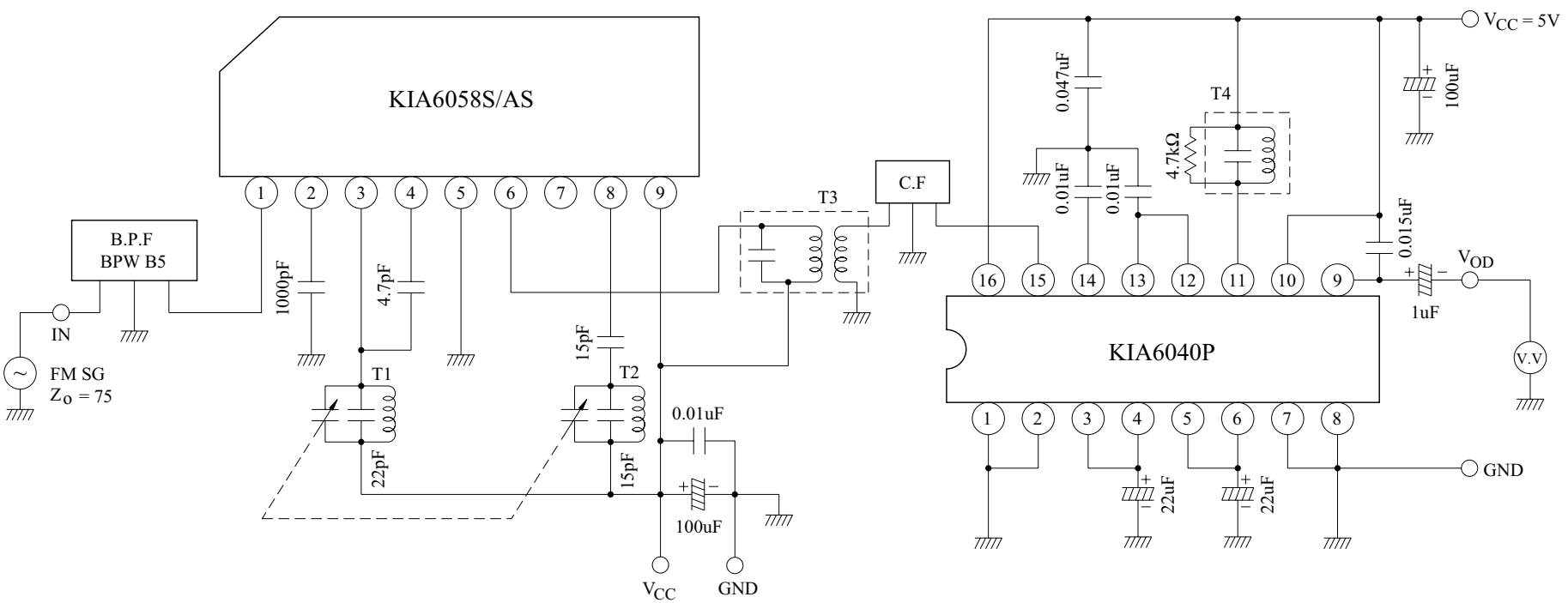


TEST CIRCUIT 1



KIA6058S/AS

TEST CIRCUIT 2

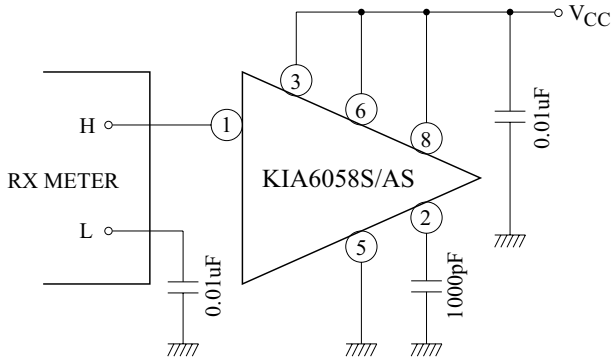


KIA6058S/AS

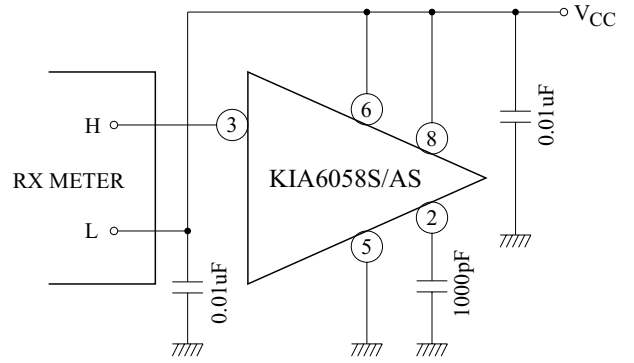
TEST CIRCUIT 3

INPUT, OUTPUT IMPEDANCE

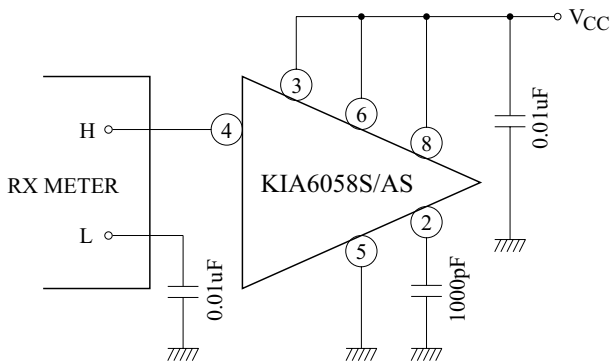
(1) r_{ip1}



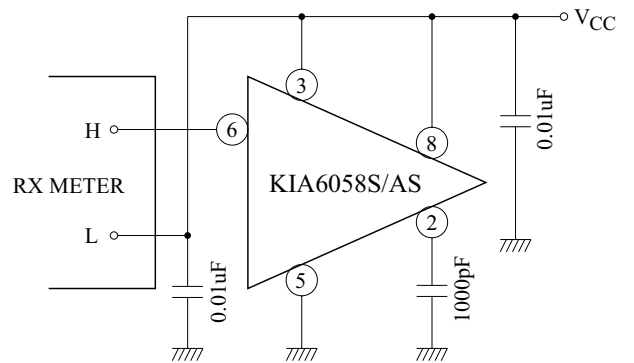
(2) r_{op3} , c_{op3}



(3) r_{ip4} , c_{ip4}

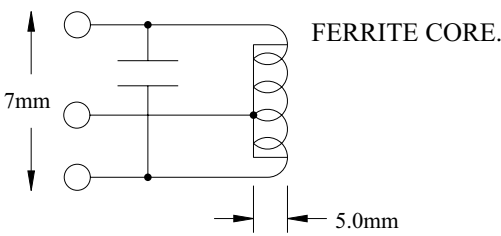
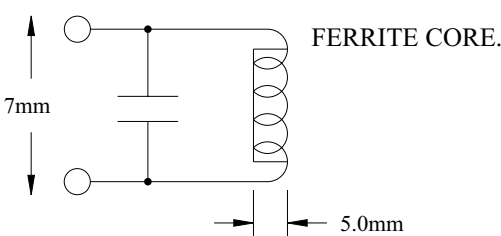
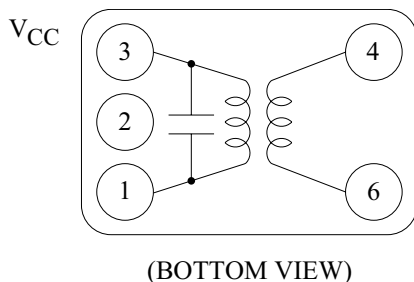
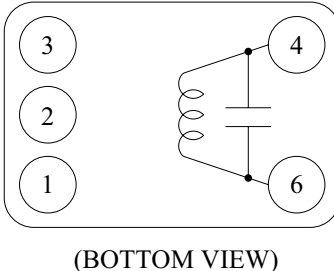


(4) r_{op6} , c_{op6}



KIA6058S/AS

TEST CIRCUIT COIL DATA (Japan Band for 76.0MHz to 108.0MHz)

COIL	f_0	Q_0	TURNS	CAPACITANCE	
T1 RF Coil	100MHz	100	0.7mm ϕ $2\frac{1}{4}$ T Center Tap (Japan Band)	15pF (External)	
T2 OSC Coil	100MHz	100	0.7mm ϕ $2\frac{1}{2}$ T (Japan Band)	15pF (External)	
T3 IFT	10.7MHz	115	① - ③ 12T ④ - ⑥ 1T Wire 0.12mm ϕ UEW Ⓚ : KSFI604 Ⓢ : 5764 or Equivalent	75pF	
T4 Quad Coil	10.7MHz	150	④ - ⑥ 14T Wire 0.12mm ϕ UEW Ⓚ : KSCO902 Ⓢ : 44M-933A or Equivalent	47pF	

Band Pass Filter (B.P.F)

SOSHIN ELECTRIC CO., LTD. BPWB5

Tuning Capacitor

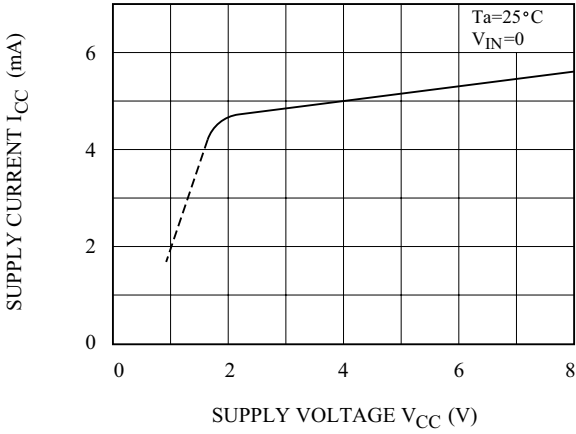
ALPS ELECTRIC CO., LTD. CB41EL933

NOTE : Ⓚ : KWANG SUNG ELECTRICS CO., LTD. (Tel:(02)716-0034)

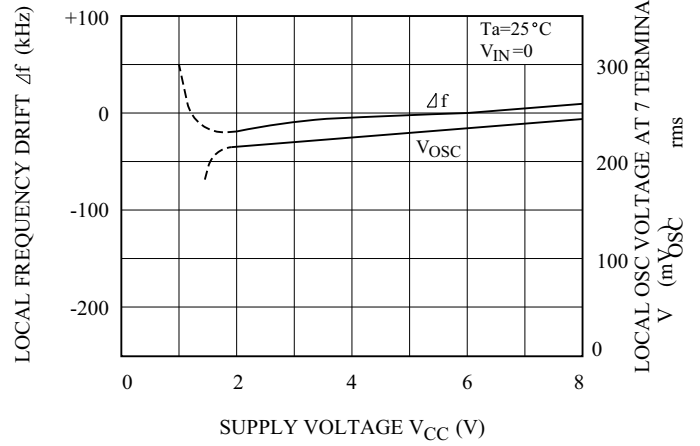
Ⓢ : SUMIDA ELECTRIC CO., LTD.

KIA6058S/AS

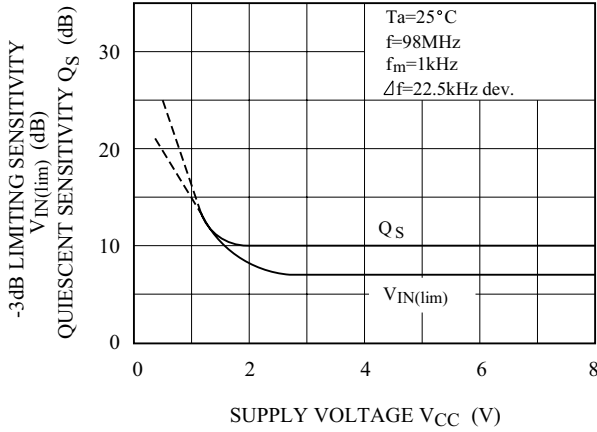
$I_{CC} - V_{CC}$



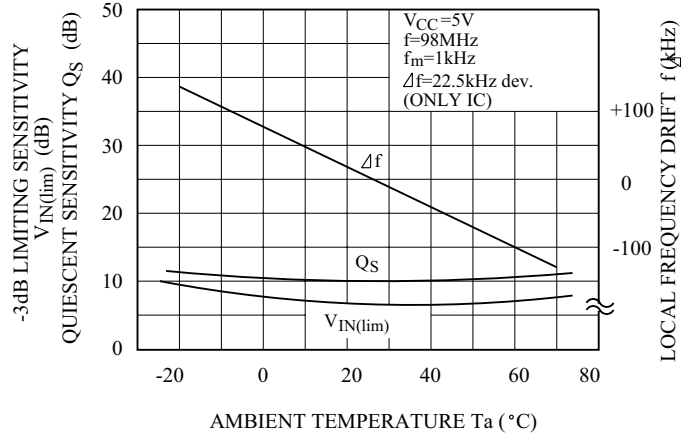
$\Delta f, V_{OSC} - V_{CC}$



$V_{IN(lim)}, Q_S - V_{CC}$



$V_{IN(lim)}, Q_S, \Delta f - T_a$



$V_{tank}, V_{OSC} - T_a$

