

DUAL AUDIO POWER AMPLIFIER

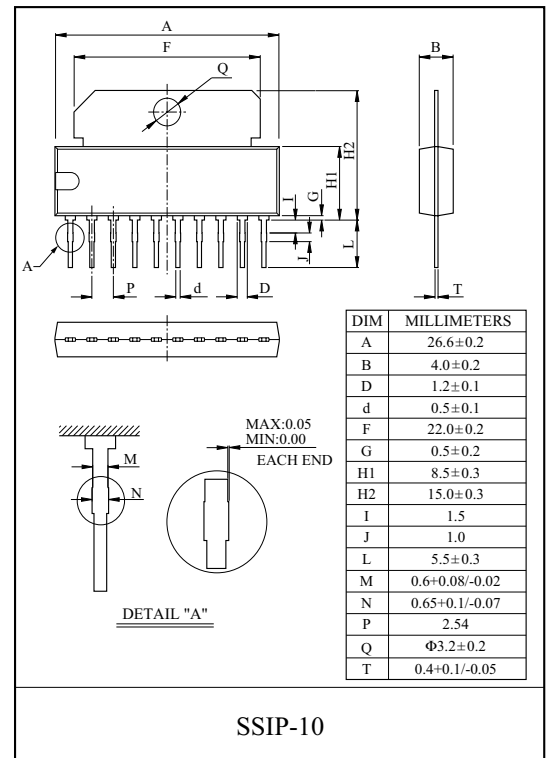
The KIA6240K is dual power amplifier for consumer application. This IC provides an output power of 6 watts per channel (at $V_{CC}=22V$, $f=1kHz$, $R_L=8\Omega$, $THD=0.5\%$) It is suitable for power amplifier of TV and home stereo.

FEATURES

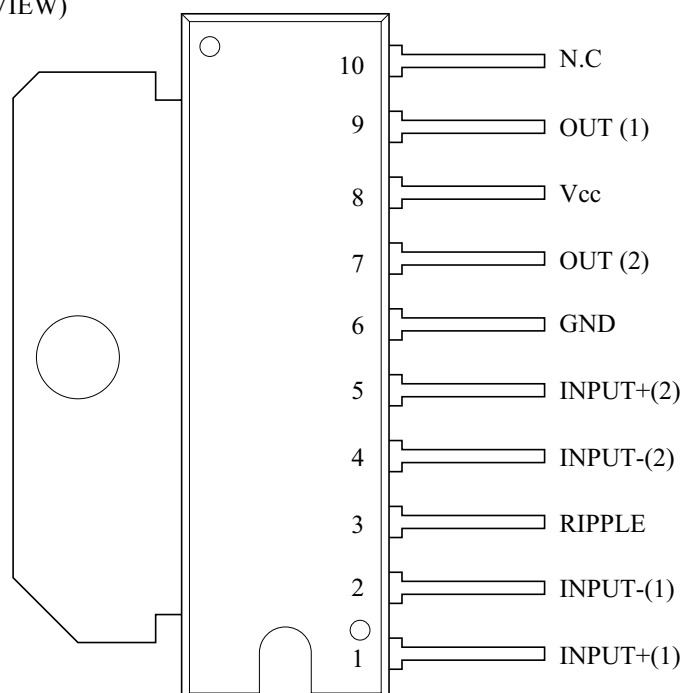
- High output power : $P_{OUT}=6W(Typ.)$
($V_{CC}=22V$, $R_L=8\Omega$, $f=1kHz$, $THD=0.5\%$)
- High current capability.
- AC short circuit protection.
- Thermal overload protection.
- Operation supply voltage range : $V_{CC(opr)}=8\sim 26V$.

MAXIMUM RATINGS ($T_a=25^\circ C$)

CHARACTERISTIC	SYMBOL	RATING	UNIT
Supply Voltage	V_{CC}	28	V
Output Current (repetitive $f \geq 20Hz$)	$I_{O(peak)}$	3	A
Output Current (non repetitive $t=100\mu s$)	$I_{O(peak)}$	3.5	A
Power Dissipation ($T_{case}=70^\circ C$)	P_D	10	W
Operating Temperature	T_{opr}	-20 ~ 75	$^\circ C$
Storage Temperature	T_{stg}	-55 ~ 150	$^\circ C$



PIN CONFIGURATION (TOP VIEW)



KIA6240K

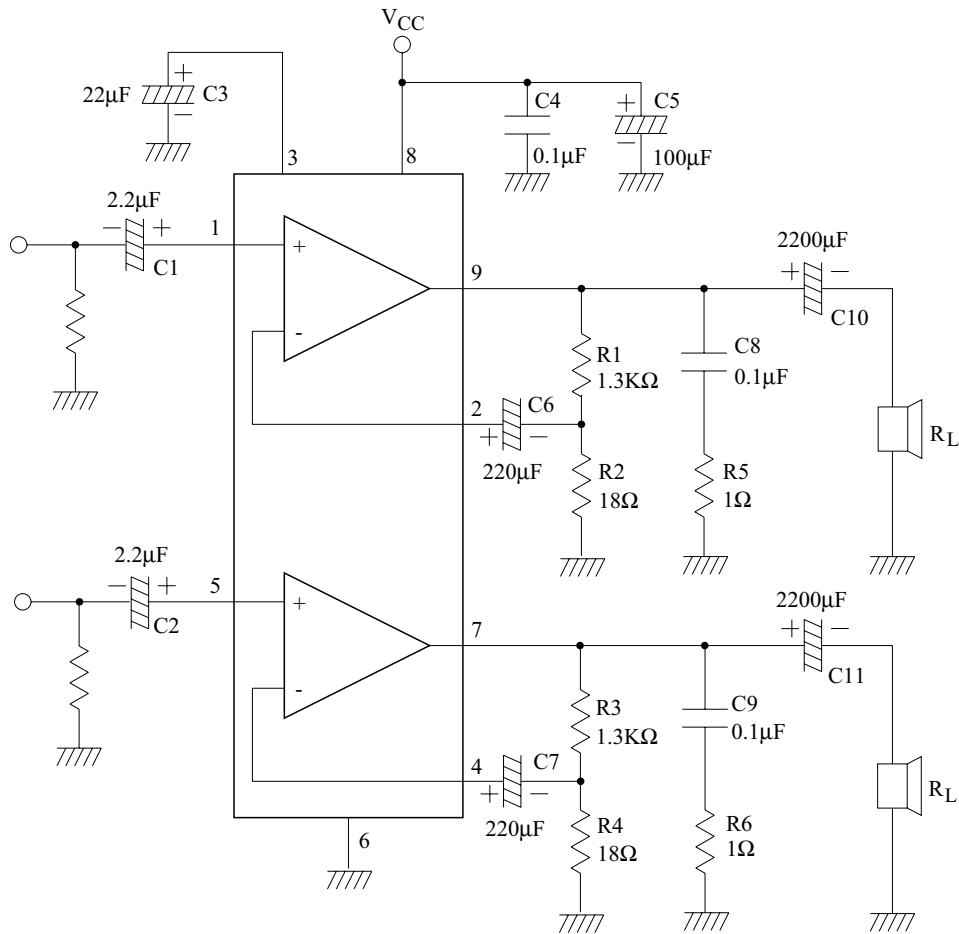
ELECTRICAL CHARACTERISTICS

(Unless otherwise specified, $V_{CC}=18V$, $f=1kHz$, $R_g=600\ \Omega$, $R_L=8\ \Omega$, $T_a=25\ ^\circ C$)

CHARACTERISTIC	SYMBOL	TEST CIRCUIT	TEST CONDITION	MIN.	TYP.	MAX.	UNIT	
Quiescent Current	I_{CCQ}	-	$V_{IN}=0$	-	50	90	mA	
Quiescent Output Voltage	V_O	-	-	-	8.5	-	V	
Output Power	$P_{OUT(1)}$	-	$f=100Hz \sim 6kHz$, $V_{CC}=18V$, $R_L=4\ \Omega$, THD=0.5%	5.0	6	-	W	
	$P_{OUT(2)}$	-	$f=100Hz \sim 6kHz$, $V_{CC}=22V$, $R_L=8\ \Omega$, THD=0.5%	5.0	6	-		
Total Harmonic Distortion	THD(1)	-	$V_{CC}=18V$, $R_L=4\ \Omega$, $P_{OUT}=100mW$ to 3W	-	0.1	-	%	
	THD(2)	-	$V_{CC}=22V$, $R_L=8\ \Omega$, $P_{OUT}=100mW$ to 3W	-	0.05	-		
Cross Talk	C.T	-	$R_g=10k\ \Omega$, $V_{OUT}=0.775V_{rms}$	$f=1kHz$	50	60	-	dB
				$f=10kHz$	40	50	-	
Input Saturation Voltage	V_{IN}	-		300	-	-	mV _{rms}	
Input Resistance	R_{IN}	-		70	200	-	k Ω	
Voltage Gain	G_V	-	$V_{OUT}=0.775V_{rms}$	35.5	36	36.5	dB	
Input Noise voltage	V_{NI}	-	$R_g=10k\ \Omega$, BW=20Hz ~ 20kHz	-	2.5	8.0	μV_{rms}	
Ripple Rejection Ratio	R.R	-	$R_g=10k\ \Omega$, $V_{ripple}=0.5V$, $f=100Hz$	-	-55	-	dB	
Thermal Shut-down Junction Temperature	T_j	-		-	145	-	$^\circ C$	

KIA6240K

APPLICATION CIRCUIT



EXTERNAL PARTS TABLE

The recommended values of the components are those shown on application circuit. Different values can be used ; the following table can help the designer.

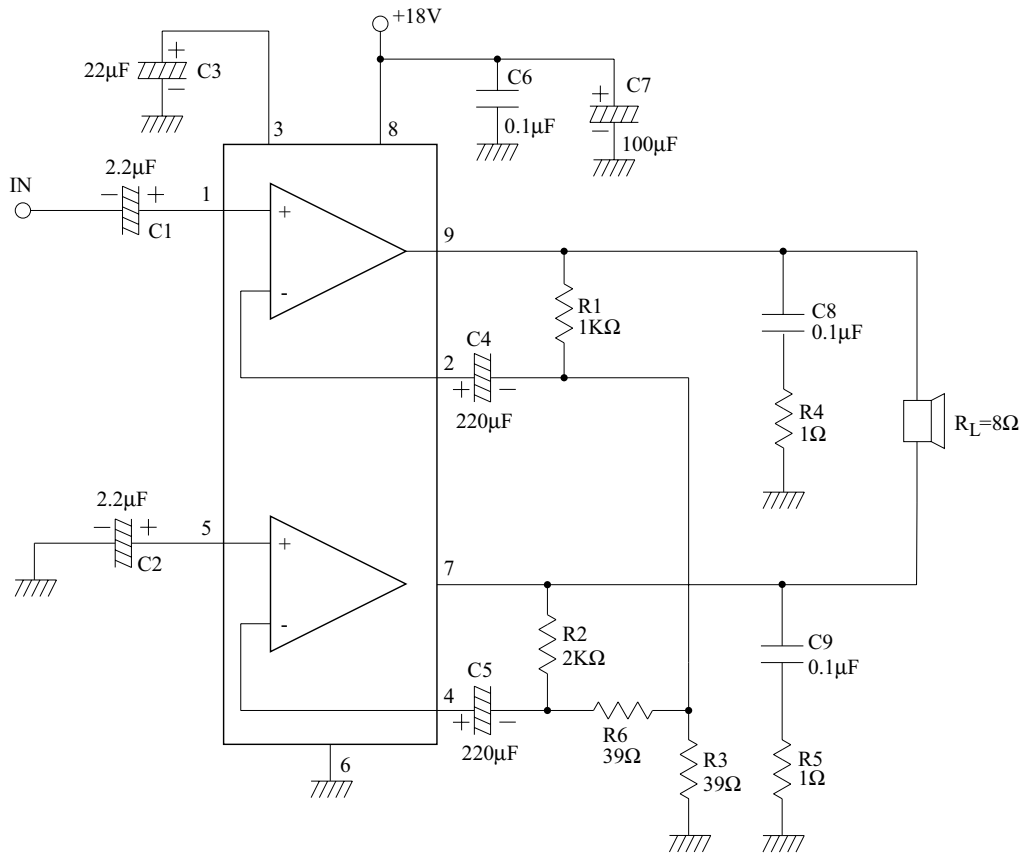
Parts Number	Typical	Purpose	Influence		Note
			Smaller Than Typ.	Larger Than Typ.	
R ₁ , R ₃	1.3kΩ	Close Loop Gain Setting *	Decrease of Gain	Increase of Gain	
R ₂ , R ₄	18Ω		Increase of Gain	Decrease of Gain	
R ₅ , R ₆	1Ω	Frquency Stability		Danger of Oscillation at High Frequency with inductive load	
C ₁ , C ₂	2.2µF	Input D.C Decoupling	High Turn-on Pop Higher Low Frquency Cut off Increase of Noise	High Turn-on Delay	
C ₃	22µF	Ripple Rejection	Degradation of Ripple Rejection	Better Ripple Rejection Ratio increase of the Switch-on time	
C ₆ , C ₇	220µF	Feedback Input D.C Decoupling			
C ₈ , C ₉	0.1µF	Frequency Stability	Danger of Oscillation		

* : The closed loop gain must be higher than 26dB.

KIA6240K

APPLICATION INFORMATION

12W Bridge Amplifier (THD=0.5%, $G_V=40\text{dB}$)



SCHEMATIC DIAGRAM

