

Infrared light emitting diode, side-view type

SIM-012SB

The SIM-20ST is a GaAs infrared light emitting diode with a side-facing detector. High output with $\phi 1.85$ lens.

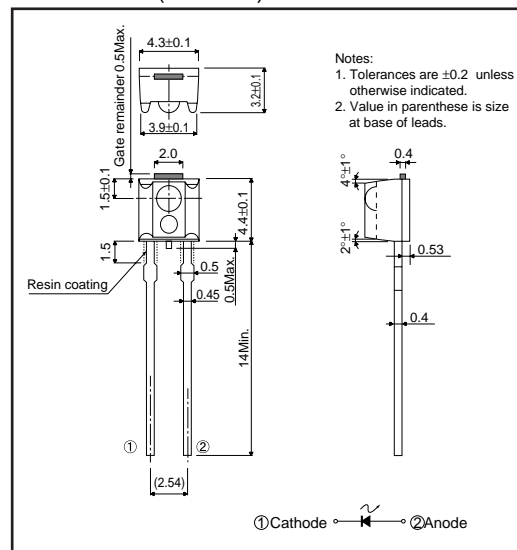
●Applications

Light source for sensors

●Features

- 1) Compact package (4.4x4.3 mm) with lens.
- 2) High efficiency, high output $P_O = 7\text{mW}$ ($I_F = 50\text{ mA}$).
- 3) Emission spectrum well suited to silicon detectors ($\lambda_P = 950\text{ nm}$).
- 4) Good current-optical output linearity.
- 5) Long life, high reliability.

●Dimensions (Unit : mm)



●Absolute maximum ratings ($T_a=25^\circ\text{C}$)

●Electrical and optical characteristics ($T_a=25^\circ\text{C}$)

Parameter	Symbol				
	I_E				
	V_F				
	I_R				
	λ_P				
	$\Delta\lambda$				
	$\theta_{1/2}$				
	tr				