

## GaAs HEMT MMIC MEDIUM POWER AMPLIFIER, 81 - 86 GHz

### Typical Applications

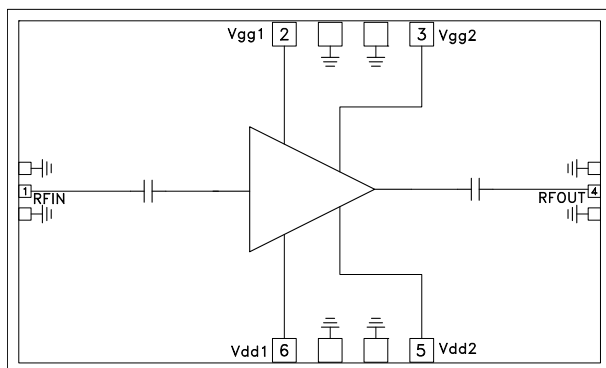
This HMC-AUH317 is ideal for:

- Short Haul / High Capacity Links
- Wireless LAN Bridges
- Military & Space
- E-Band Communication Systems

### Features

- Gain: 22 dB
- P1dB: +17.5 dBm
- Supply Voltage: +4V
- 50 Ohm Matched Input/Output
- Die Size: 2.65 x 1.6 x 0.05 mm

### Functional Diagram



### General Description

The HMC-AUH317 is a high dynamic range, three stage GaAs HEMT MMIC Medium Power Amplifier which operates between 81 and 86 GHz. The HMC-AUH317 provides 22 dB of gain, and an output power of +17.5 dBm at 1 dB compression from a +4V supply voltage. All bond pads and the die backside are Ti/Au metallized and the amplifier device is fully passivated for reliable operation. The HMC-AUH317 GaAs HEMT MMIC Medium Power Amplifier is compatible with conventional die attach methods, as well as thermocompression and thermosonic wire bonding, making it ideal for MCM and hybrid microcircuit applications. All data shown herein is measured with the chip in a 50 Ohm environment and contacted with RF probes.

### Electrical Specifications, $T_A = +25^\circ \text{C}$ , $V_{dd1}=V_{dd2} = 4\text{V}$ , $I_{dd1} = I_{dd2} = 80 \text{mA}$ [2]

Parameter	Min.	Typ.	Max.	Units
Frequency Range	81 - 86			GHz
Gain	19	22		dB
Input Return Loss		9		dB
Output Return Loss		5		dB
Output power for 1dB Compression (P1dB)		17.5		dBm
Saturated Output Power (Psat)		19.5		dBm
Supply Current (Idd1+Idd2)		160		mA

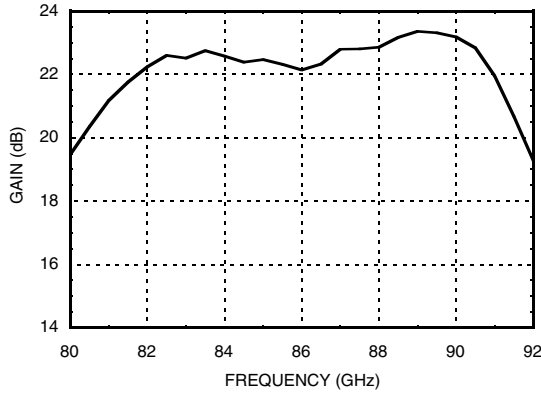
[1] Unless otherwise indicated, all measurements are from probed die.

[2] Adjust Vgg1, Vgg2 independently between -0.8V to +0.3V (typically -0.1V) to achieve drain currents of Idd1 = 80 mA and Idd2 = 80 mA.

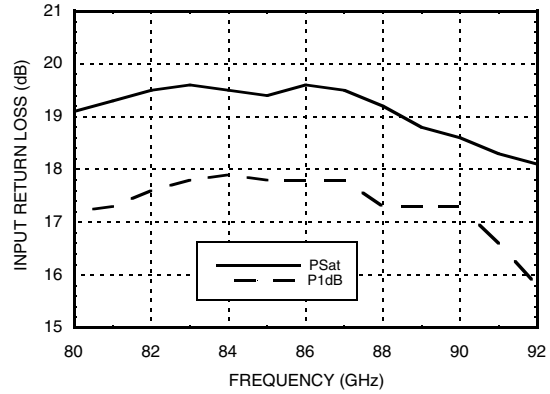
Products and product information are subject to change without notice.

**GaAs HEMT MMIC MEDIUM POWER  
AMPLIFIER, 81 - 86 GHz**

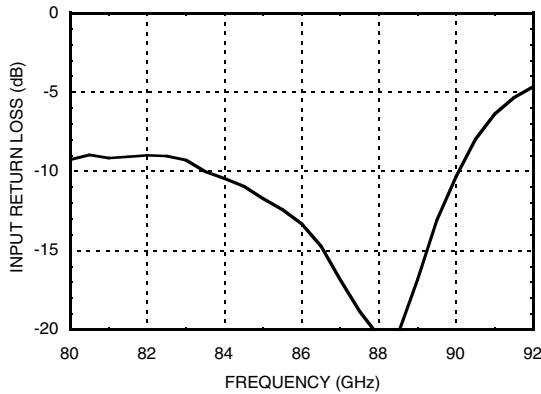
**Linear Gain vs. Frequency**



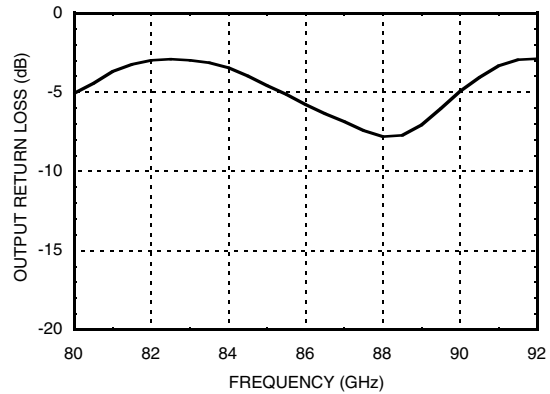
**Fixture Output Power vs. Frequency**



**Input Return Loss vs. Frequency**



**Output Return Loss vs. Frequency**



Note: Measured Performance Characteristics (Typical Performance at 25°C) Vdd1 = Vdd2 = 4V, Idd1 = 80mA, Idd2 = 80mA

## GaAs HEMT MMIC MEDIUM POWER AMPLIFIER, 81 - 86 GHz

### Absolute Maximum Ratings

Nominal 4.0V Supply to GND	0.0V to +4.5V
Gate Bias Voltage	-0.8V to +0.3V
RF Input Power (Vdd = +4.0V)	+3 dBm
Storage Temperature	-65 to +150 °C
Max Peak Reflow Temperature	260 °C

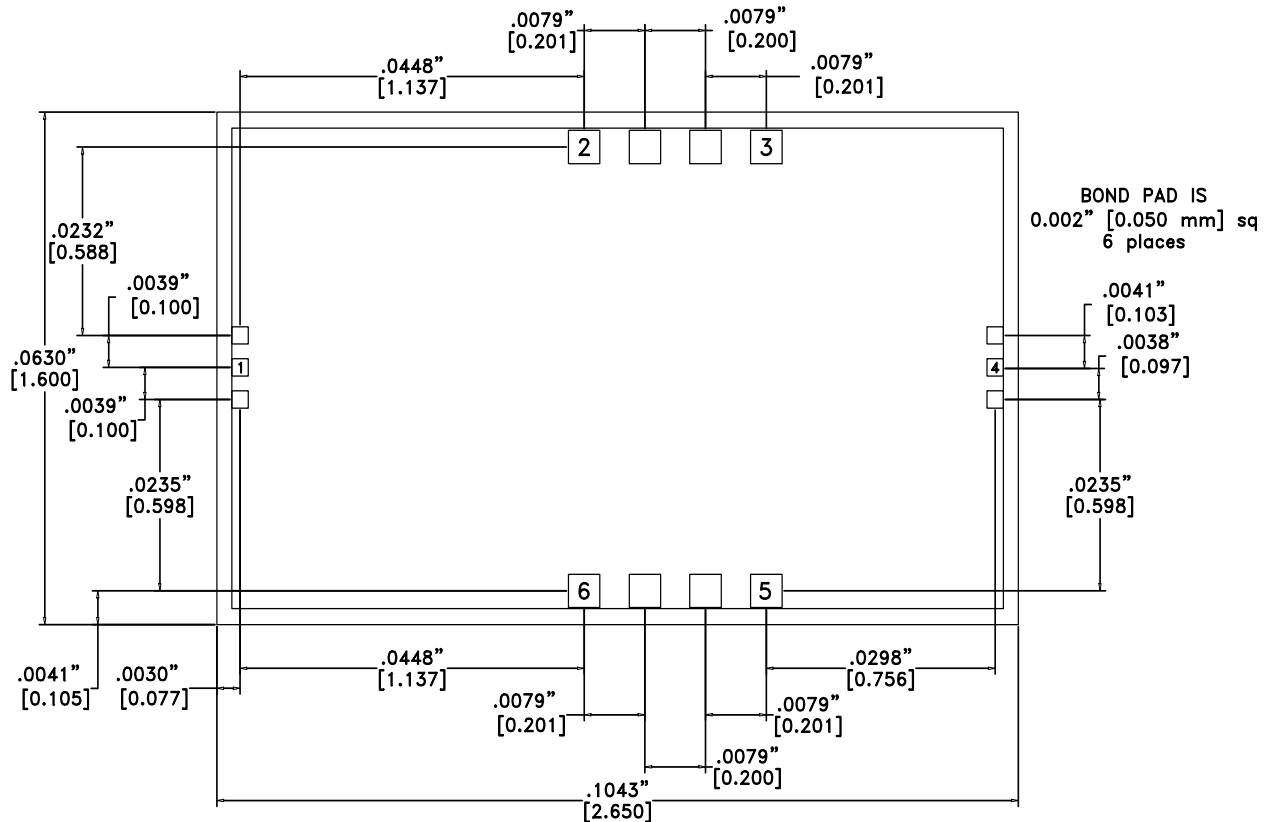
### Reliability Information

Junction Temperature to Maintain 1 Million Hour MTTF	180 °C
Nominal Junction Temperature (T = 85 °C)	156.1 °C
Thermal Resistance (Junction to Die Bottom)	111.0 °C/W
Operating Temperature	-55 to +85 °C
Drain Bias Current (Idd1)	100 mA
Drain Bias Current (Idd2)	100 mA



**ELECTROSTATIC SENSITIVE DEVICE  
OBSERVE HANDLING PRECAUTIONS**

### Outline Drawing



### Die Packaging Information [1]

Standard	Alternate
GP-1 (Gel Pack)	[2]

[1] Refer to the "Packaging Information" section for die packaging dimensions.

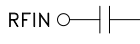
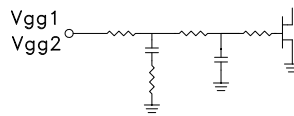
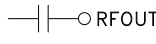
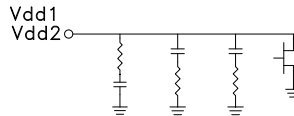
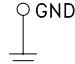
[2] For alternate packaging information contact Hittite Microwave Corporation.

#### NOTES:

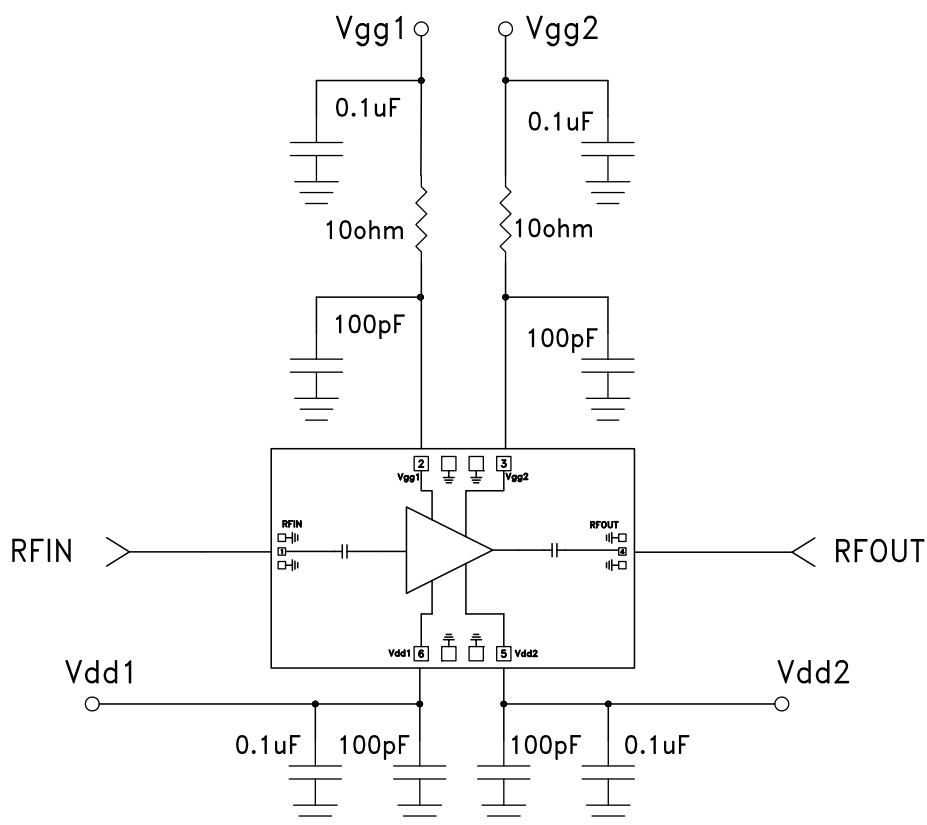
- ALL DIMENSIONS ARE IN INCHES [MM].
- BACKSIDE METALLIZATION: GOLD.
- BACKSIDE METAL IS GROUND.
- BOND PAD METALLIZATION: GOLD.
- CONNECTION NOT REQUIRED FOR UNLABELED BOND PADS.
- OVERALL DIE SIZE ±.002"
- DIE THICKNESS IS 0.002" [0.050 mm]
- TYPICAL BOND PAD IS 0.004" [0.100 mm] SQUARE UNLESS NOTED

## GaAs HEMT MMIC MEDIUM POWER AMPLIFIER, 81 - 86 GHz

### Pad Descriptions

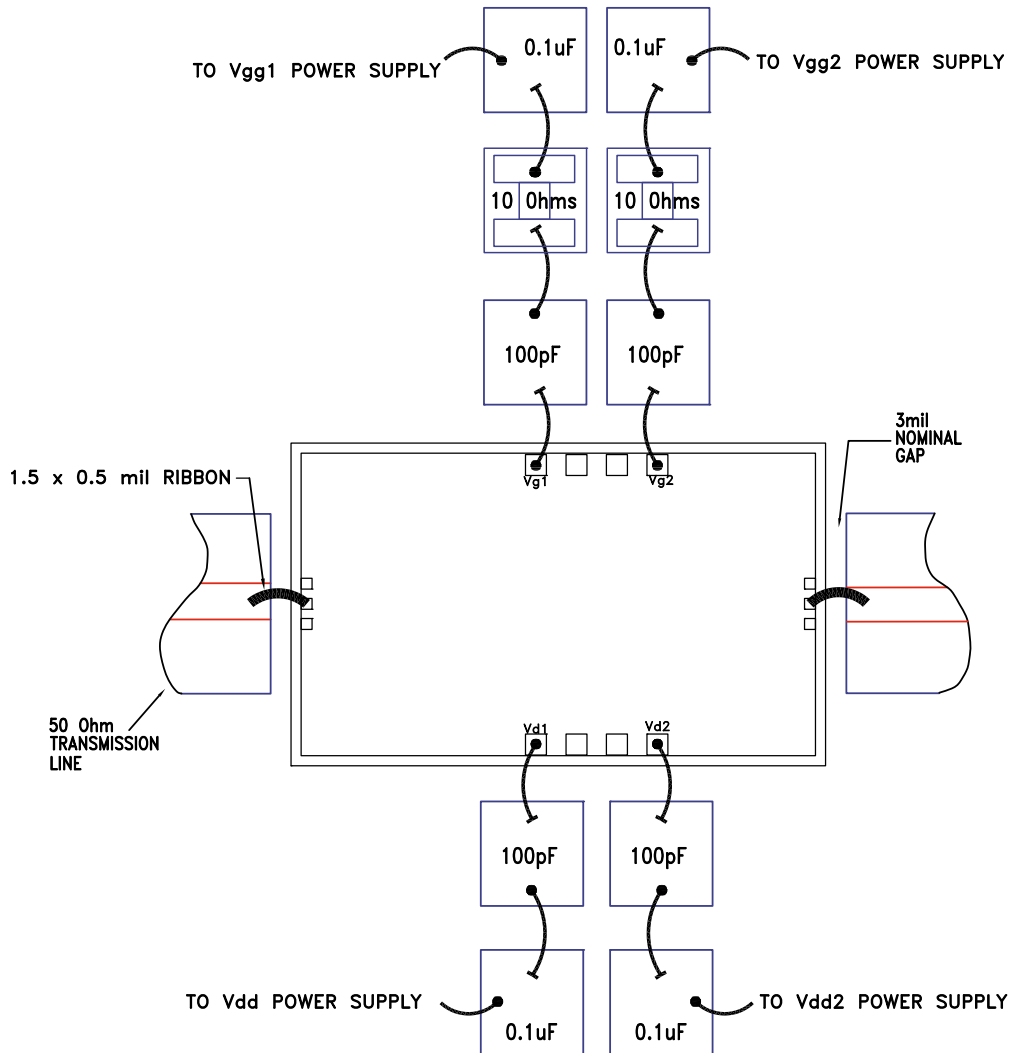
Pad Number	Function	Description	Interface Schematic
1	RFIN	This pad is AC coupled and matched to 50 Ohms.	
2, 3	Vgg1, Vgg2	Gate control for amplifier. Please follow "MMIC Amplifier Biasing Procedure" application note. See assembly for required external components.	
4	RFOUT	This pad is AC coupled and matched to 50 Ohms.	
5, 6	Vdd1, Vdd2	Power Supply Voltage for the amplifier. See assembly for required external components.	
Die Bottom	GND	Die bottom must be connected to RF/DC ground.	

### Application Circuit



## GaAs HEMT MMIC MEDIUM POWER AMPLIFIER, 81 - 86 GHz

### Assembly Diagram



Note 1: Bypass caps should be 100 pF (approximately) single-layer placed no farther than 30 mils from the amplifier.

Note 2: Best performance is obtained by minimizing the length of the ribbon, 1.5 by 0.5 mil, on the input and output.

**GaAs HEMT MMIC MEDIUM POWER  
 AMPLIFIER, 81 - 86 GHz**
**Mounting & Bonding Techniques for Millimeterwave GaAs MMICs**

The die should be attached directly to the ground plane eutectically or with conductive epoxy (see HMC general Handling, Mounting, Bonding Note).

50 Ohm Microstrip transmission lines on 0.127mm (5 mil) thick alumina thin film substrates are recommended for bringing RF to and from the chip (Figure 1).

Microstrip substrates should be placed as close to the die as possible in order to minimize bond wire length. Typical die-to-substrate spacing is 0.076mm to 0.152 mm (3 to 6 mils).

**Handling Precautions**

*Follow these precautions to avoid permanent damage.*

**Storage:** All bare die are placed in either Waffle or Gel based ESD protective containers, and then sealed in an ESD protective bag for shipment. Once the sealed ESD protective bag has been opened, all die should be stored in a dry nitrogen environment.

**Cleanliness:** Handle the chips in a clean environment. DO NOT attempt to clean the chip using liquid cleaning systems.

**Static Sensitivity:** Follow ESD precautions to protect against ESD strikes.

**Transients:** Suppress instrument and bias supply transients while bias is applied. Use shielded signal and bias cables to minimize inductive pick-up.

**General Handling:** Handle the chip along the edges with a vacuum collet or with a sharp pair of bent tweezers. The surface of the chip may have fragile air bridges and should not be touched with vacuum collet, tweezers, or fingers.

**Mounting**

The chip is back-metallized and can be die mounted with AuSn eutectic preforms or with electrically conductive epoxy. The mounting surface should be clean and flat.

**Eutectic Die Attach:** A 80/20 gold tin preform is recommended with a work surface temperature of 255 °C and a tool temperature of 265 °C. When hot 90/10 nitrogen/hydrogen gas is applied, tool tip temperature should be 290 °C. DO NOT expose the chip to a temperature greater than 320 °C for more than 20 seconds. No more than 3 seconds of scrubbing should be required for attachment.

**Epoxy Die Attach:** Apply a minimum amount of epoxy to the mounting surface so that a thin epoxy fillet is observed around the perimeter of the chip once it is placed into position. Cure epoxy per the manufacturer's schedule.

**Wire Bonding**

RF bonds made with 0.003" x 0.0005" ribbon are recommended. These bonds should be thermosonically bonded with a force of 40-60 grams. DC bonds of 0.001" (0.025 mm) diameter, thermosonically bonded, are recommended. Ball bonds should be made with a force of 40-50 grams and wedge bonds at 18-22 grams. All bonds should be made with a nominal stage temperature of 150 °C. A minimum amount of ultrasonic energy should be applied to achieve reliable bonds. All bonds should be as short as possible, less than 12 mils (0.31 mm).

