

**Ultra-linear Mixer with Integrated IF Amp and LO Buffer**

**Description**

CMY212 is a general purpose down-converter device designed for multiple applications such as cellular and PCS mobile phones, ISM bands, GPS receivers, L-band satellite terminals, WLAN and pagers. Due to its excellent intermodulation characteristics and its high conversion gain, CMY212 is particularly suited for CDMA receiver applications.

The device combines an ultra-linear mixer with LO - driver and a single stage IF-amplifier in a very small SCT598 package. The mixer section of CMY212 combines low conversion losses and excellent intermodulation characteristics with low requirements of LO - and DC-power. The internal level controlled LO-Buffer enables a good performance over a wide LO level range. The input and output matching of the IF amplifier can be adapted externally within a frequency range from 45 to 250 MHz.

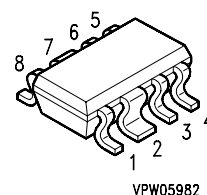
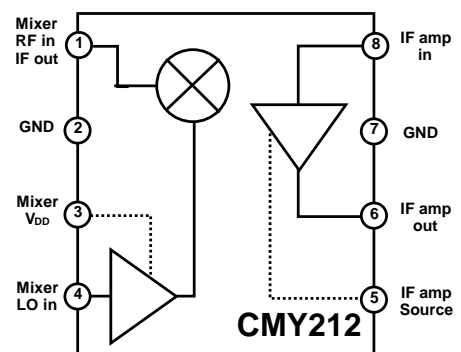
**Features**

- Typical overall performance at cellular frequencies (for  $P_{LO} = -4\text{dBm}$  operation conditions: 3V, 11 mA;  $f_{RF} = 881\text{ MHz}$ ;  $f_{LO} = 966\text{ MHz}$ ):
  - Gain 10 dB
  - Input IP3 9 dBm
  - Noise figure 8 dB
- RF-frequency range 0.5 - 2.5 GHz
- Operating voltage range: 2.6 to 5V
- Small SCT598 plastic package

**Applications**

- Down Converter for Multiple Wireless Applications
- Cellular and PCS Mobile Phones
- Particularly Suited for CDMA Receivers
- ISM and WLAN Receivers
- GPS Receivers

**Package Outline and Pin Configuration, SCT598**



# CMY212 Datasheet

## Maximum Ratings

Parameter	Port	Symbol	Value		Unit
			min	max	
Supply Voltage	3,6	$V_{DD}$	0	5	V
DC-Voltage at LO Input	4	$V_6$	-3	0,5	V
DC-Voltage at Mixer RF-IF Port	1	$V_8$	- 0,5	+ 0,5	V
Power into Mixer RF Port	1	$P_{RF}$		10	dBm
Power into LO Input	4	$P_{in,LO}$	-10	10	dBm
Channel Temperature		$T_{Ch}$		150	°C
Operating Temperature		$T_{op}$	-30	85	°C
Storage Temperature		$T_{stg}$	-55	150	°C
<b>Thermal Resistance*</b>					
Channel to Soldering Point (GND)		$R_{thChS}$		260	K/W

# CMY212 Datasheet

## Electrical Characteristics

Parameter,	Comment	min	typ	max	Unit
RF - frequency range	external match	0.5	-	2.5	GHz
LO - Frequency range	external match	0.5	-	2.5	GHz
IF Frequency range	external match	45		250	MHz

### Typical performance at cellular frequencies\*:

$T_a = 25^\circ\text{C}$ ;  $V_{DD} = 3\text{V}$ ,  $f_{RF} = 881\text{MHz}$ ;  $f_{LO} = 966\text{MHz}$ ;  $P_{LO} = -4\text{dBm}$ ;  $f_{IF} = 85\text{MHz}$ ,  
 $Z_S = Z_L = 50\ \Omega$ ; unless otherwise specified

Parameter, Test Conditions	Symbol	Min	typ	max	Unit
Total operating Current (Mixer + IF amplifier)	$I_{op}$	-	11	-	mA
Conversion Gain	$G_c$	-	10	-	dB
SSB Noise Figure	$F_{ssb}$	-	8	-	dB
RF Input -/ IF Output return loss (external matching required)	RFIrl / IFOrl	-	10	-	dB
3rd Order Input Intercept Point	IIP3	-	10	-	dBm

### Test conditions at PCS frequencies:

$T_a = 25^\circ\text{C}$ ;  $V_{DD} = 3\text{V}$ ,  $f_{RF} = 1960\text{MHz}$ ;  $f_{LO} = 1750\text{MHz}$ ;  $P_{LO} = -4\text{dBm}$ ;  $f_{IF} = 210\text{MHz}$ ,  
 $Z_S = Z_L = 50\ \Omega$ ; unless otherwise specified

Parameter, Test Conditions	Symbol	Min	Typ	max	Unit
Total operating Current (Mixer + IF amplifier)	$I_{op}$	-	12	14	mA
Conversion Gain	$G_c$	8.5	9.5	-	dB
SSB Noise Figure	$F_{ssb}$	-	8.5	-	dB
RF Input -/ IF output return loss (external matching required)	RFIrl / IFOrl	-	10	-	dB
3rd Order Input Intercept Point	IIP3	10	11.5	-	dBm

\* IMPORTANT NOTE:

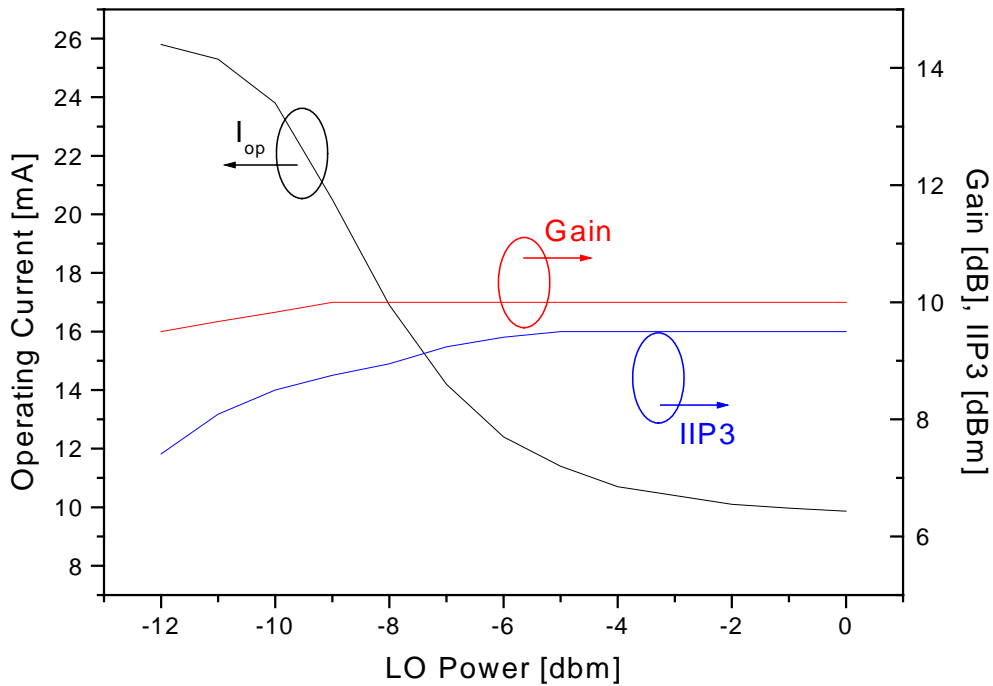
During production, the RF performance at PCS frequencies is screened. The passed devices also achieve the specified RF performance at cellular frequencies.

# CMY212 Datasheet

## Electrical Characteristics (cont)

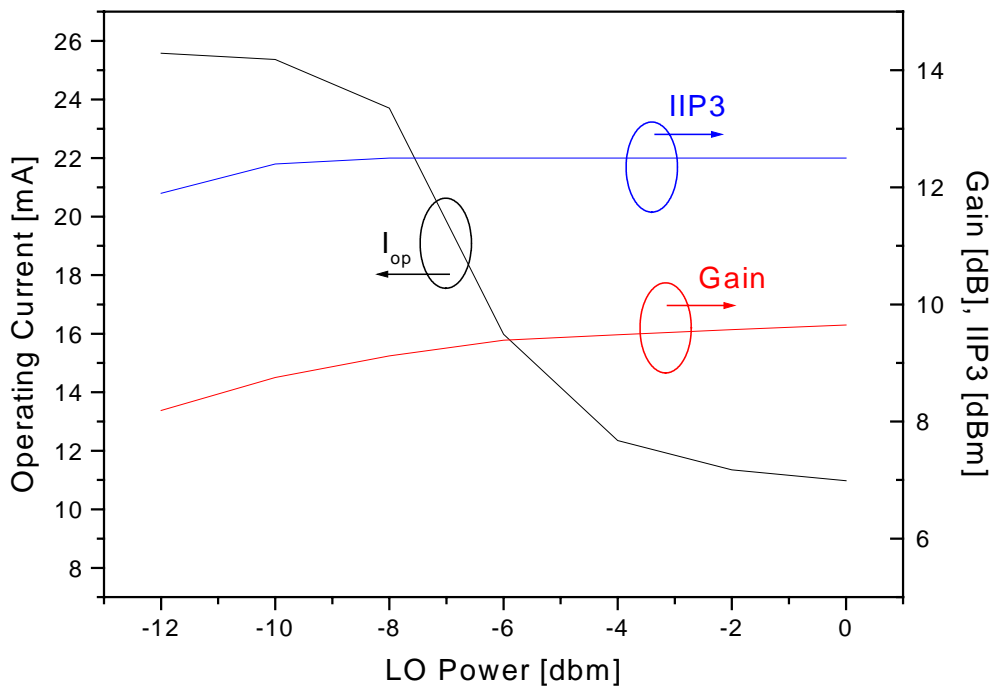
### Typical device behavior at cellular frequencies:

$T_a = 25^\circ\text{C}$ ;  $V_{DD} = 3\text{V}$ ,  $f_{RF} = 881\text{MHz}$ ;  $f_{LO} = 966\text{MHz}$ ;  $f_{IF} = 85\text{MHz}$ ;  
 $Z_S = Z_L = 50\ \Omega$ ; unless otherwise specified



### Typical device behavior at PCS frequencies:

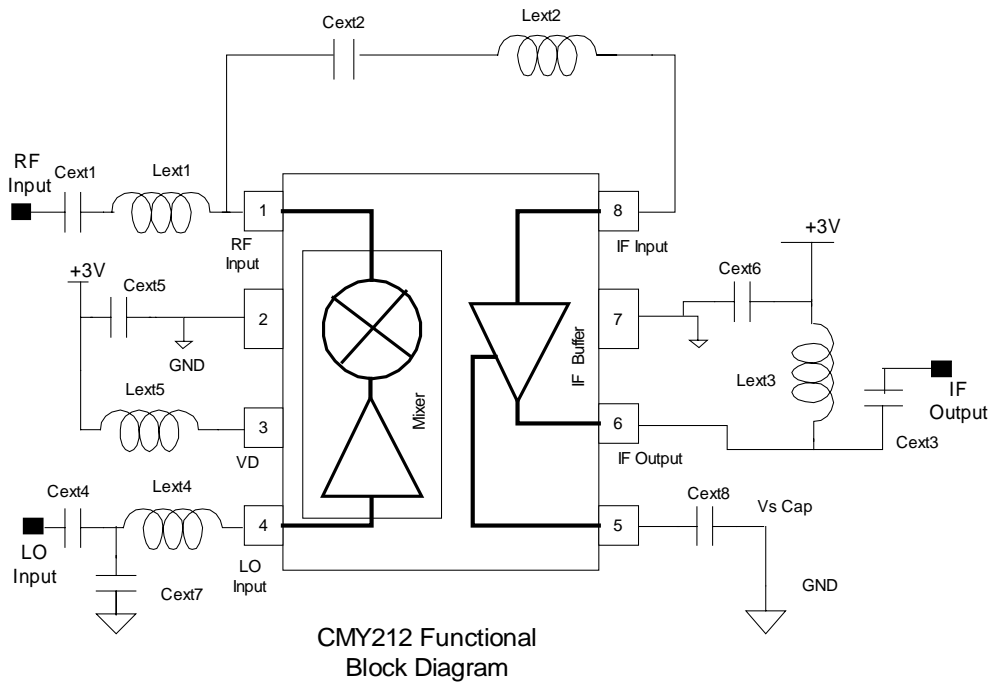
$T_a = 25^\circ\text{C}$ ;  $V_{DD} = 3\text{V}$ ,  $f_{RF} = 1960\text{MHz}$ ;  $f_{LO} = 1750\text{MHz}$ ;  $f_{IF} = 210\text{MHz}$ ;  
 $Z_S = Z_L = 50\ \Omega$ ; unless otherwise specified



# CMY212 Datasheet

## Applications Information

### Test Circuit:



### External components for cellular frequencies

$$f_{RF} = 875\text{MHz}; f_{LO} = 960\text{MHz}; f_{IF} = 85\text{MHz}$$

Capacitors	(Murata 0402)	Inductors	(Toko)
Cext1	2 pF	Lext1	18 nH LL1005
Cext2	1 nF	Lext2	270 nH LL1608
Cext3	20 pF	Lext3	220 nH LL1608
Cext4	100 pF	Lext4	12 nH LL1005
Cext5	1 nF	Lext5	15 nH LL1005
Cext6	1 nF		
Cext7	3.3 pF		
Cext8	100 nF	Lext8	22 nH LL1005

### External components for PCS frequencies

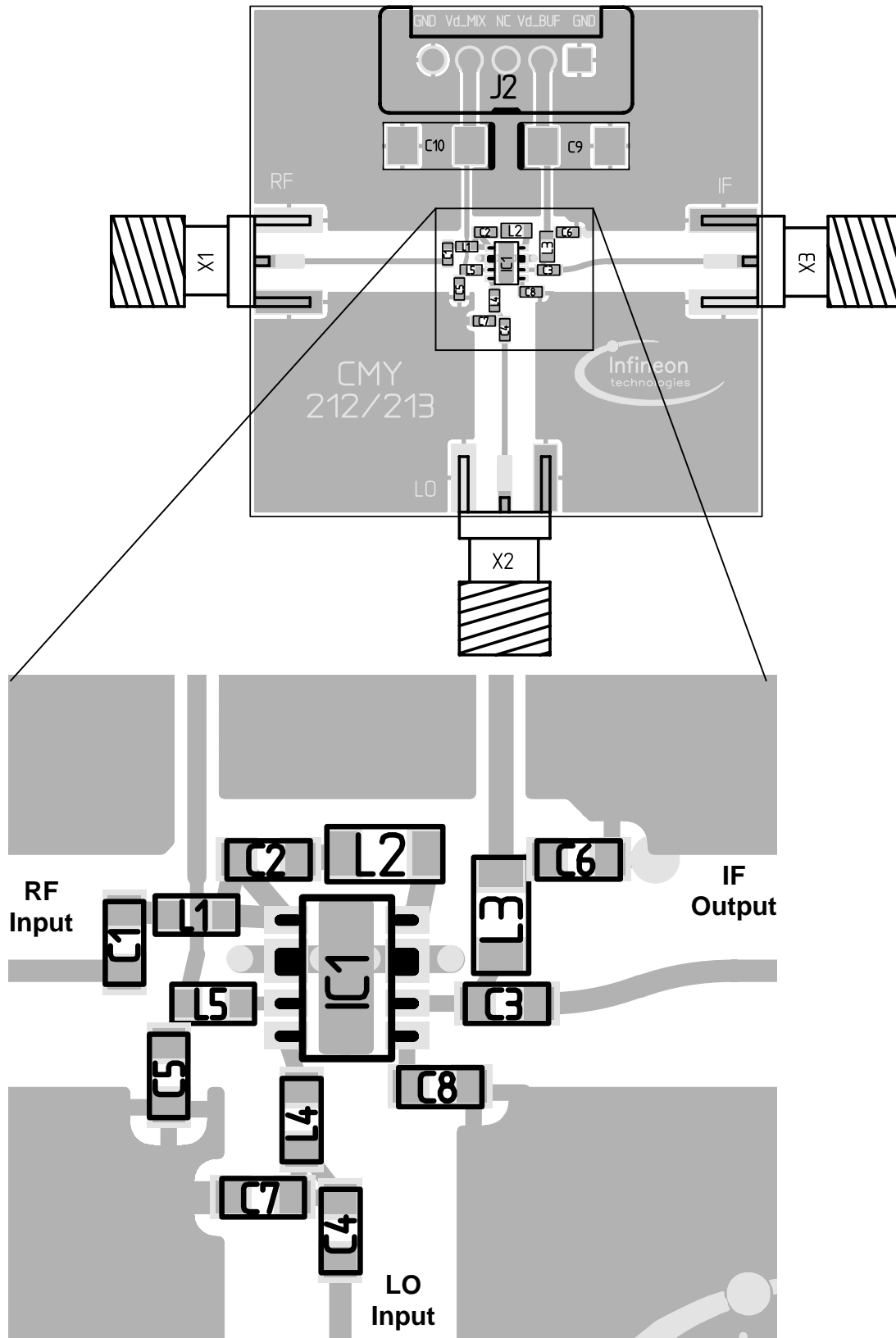
$$f_{RF} = 1960\text{MHz}; f_{LO} = 1750\text{MHz}; f_{IF} = 210\text{MHz}$$

Capacitors	(Murata 0402)	Inductors	(Toko)
Cext1	1 pF	Lext1	5.6 nH LL1005
Cext2	1 nF	Lext2	68 nH LL1608
Cext3	8 pF	Lext3	68 nH LL1608
Cext4	22 pF	Lext4	4.7 nH LL1005
Cext5	1 nF	Lext5	4.7 nH LL1005
Cext6	1 nF		
Cext7	3 pF		
Cext8	100 nF		

# CMY212 Datasheet

## Applications Information (cont)

PCB Layout:  
Size: 35 x 35 mm<sup>2</sup>





# CMY212 Datasheet

---

## Ordering Information

Type	Marking	Ordering code (tape and reel)	Package <sup>1)</sup>
<b>CMY212</b>	<b>212</b>	<b>CMY212</b>	<b>SCT598-8-1</b>

## Additional Information

This part is compliant with RoHS directive (Restrictions on the Use of Certain Hazardous Substances in Electrical and Electronic Equipment).

The part is rated Moisture Sensitivity Level 1 at 260°C per JEDEC standard IPC/JEDEC J-STD-020.

**ESD: Electrostatic discharge sensitive device. Observe handling Precautions.**

---

For latest specifications, additional product information, worldwide sales and distribution locations, and information about TriQuint:

**Web:** [www.triquint.com](http://www.triquint.com)      **Tel:** (503) 615-9000  
**Email:** [info\\_wireless@tqs.com](mailto:info_wireless@tqs.com)      **Fax:** (503) 615-8902

For technical questions and additional information on specific applications:

**Email:** [info\\_wireless@tqs.com](mailto:info_wireless@tqs.com)

The information provided herein is believed to be reliable; TriQuint assumes no liability for inaccuracies or omissions. TriQuint assumes no responsibility for the use of this information, and all such information shall be entirely at the user's own risk. Prices and specifications are subject to change without notice. No patent rights or licenses to any of the circuits described herein are implied or granted to any third party.

TriQuint does not authorize or warrant any TriQuint product for use in life-support devices and/or systems.  
Copyright © 2005 TriQuint Semiconductor, Inc. All rights reserved.