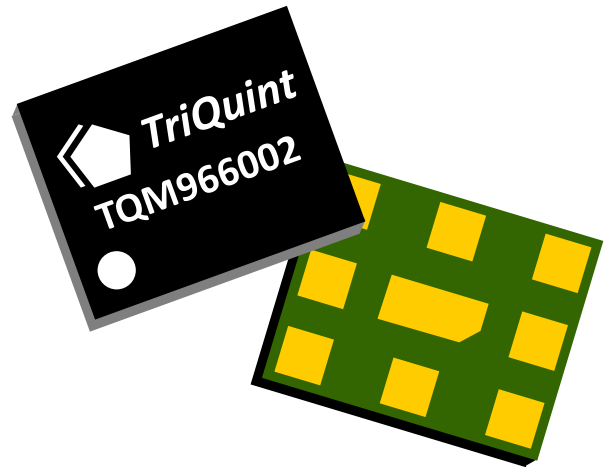


TQM966002

BC1/B2 BAW Duplexer

Applications

- CDMA / UMTS handset, data card & mobile router applications using the PCS band, Band Class 1 / B2



2.5 x 2.0 x 0.90 mm

Product Features

- Excellent triple beat performance: -88dBc
- Highly selective BAW duplexer achieving low insertion loss over full bandwidth and operating conditions.
- Rx isolation of 50dB minimum & GPS rejection of >40dB eliminating the need for a transmit filter
- Single-Ended (SE) 50ohm receive & transmit ports
- Performance -30 to +85 °C
- **RoHS** compliant, **Pb**-free module package

General Description

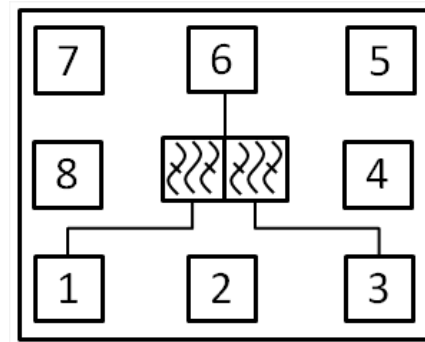
The TQM966002 is a high-performance Bulk Acoustic Wave (BAW) duplexer designed to meet the strict CDMA/UMTS requirements for use in the PCS band, known as Band Class 1 (BC1), and B2.

TQM966002 is specifically designed to meet the high performance expectations of insertion loss, isolation and triple beat for CDMA systems over the bandwidth of BC1/B2 applications under all operating conditions. Due to the exceptional receive isolation & GPS rejection performance, no transmit SAW filter is required.

The TQM966002 uses common module packaging techniques to achieve the industry standard 2.5 x 2.0 x 0.9 mm footprint. The duplexer exhibits excellent power handling capabilities.

Functional Block Diagram

Top view



Pin Configuration

Pin #	Description
1	Receive
3	Transmit
6	Antenna
8	N/C (internal to GND)
2,4,5,7,9	Ground*

*Note, see application section for details on optimal grounding

Ordering Information

Part No.	Description
TQM966002	packaged part
TQM966002-EVB	evaluation board

Standard T/R size = 2,500 units/reel.