

TAT7464

CATV 75 Ω pHEMT Dual RF Amplifier



Applications

- V-ONU receiver output stage
- Multi-Dwelling Units
- Edge QAM
- Push-pull high-output stage
- SAT frequency distribution

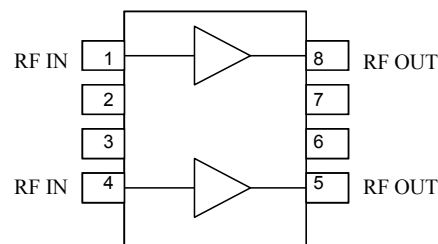


SOIC-8 package

Product Features

- 50-2600 MHz bandwidth
- pHEMT device technology
- Simple external tuning allows excellent return loss
- 5 V supply voltage
- 210 mA typical current consumption
- Easy bias current adjustment
- 11.7 dB typical gain
- 4.4 dB typical NF from 50 MHz to 1300 MHz
- 38 dBm typical OIP3
- 73 dBm typical OIP2
- 21 dBm typical P1dB
- Low distortion: CSO -83 dBc, CTB -75 dBc, XMOD -68 dBc (33 dBmV/ch at output, 80 ch)
- SOIC-8 package

Functional Block Diagram



General Description

The TAT7464 is a 75 Ω RF Amplifier designed for use from 50 MHz to 2600 MHz, addressing the CATV and Satellite bands in a single part. The TAT7464 contains two separate amplifiers for push pull applications. It provides an easy means for adjusting bias current allowing designers to optimize power consumption for high efficiency applications. The TAT7464 is fabricated using 6-inch GaAs pHEMT technology to optimize performance and cost.

Pin Configuration

Pin #	Symbol
1	RF IN
2, 3, 6, 7	No Connect
4	RF IN
5	RF OUT
8	RF OUT
Exposed Slug	GND

Ordering Information

Part No.	Description
TAT7464	75 Ω Dual pHEMT Amplifier (lead-free/RoHS compliant SOIC-8 Pkg)
TAT7464-EB	Amplifier Evaluation Board

Standard T/R size = 1000 pieces on a 7" reel.

Specifications

Absolute Maximum Ratings¹

Parameter	Rating
Storage Temperature	-65 to +150 °C
Device Voltage	+10 V

Notes:

1. Operation of this device outside the parameter ranges given above may cause permanent damage.

Recommended Operating Conditions

Parameter	Min	Typ	Max	Units
V _{DD}		5		V
I _{DD}		210		mA
T _J (for > 10 ⁶ hours MTF)			145	°C

Electrical specifications are measured at specified test conditions. Specifications are not guaranteed over all recommended operating conditions

Electrical Specifications

Test conditions unless otherwise noted: 25 °C, +5 V V_{DD}

Parameter	Conditions	Min	Typical	Max	Units
Operational Frequency Range		50		2600	MHz
Gain			11.7		dB
Gain Flatness	See Note 5.		+/- 0.5		dB
Noise Figure	See Note 1.		4.4		dB
Input Return Loss			15		dB
Output Return Loss			10		dB
Output P1dB			21		dBm
Output IP3	See Note 2.		38		dBm
Output IP2	See Note 2.		73		dBm
XMOD	See Note 2.		-67		dBc
CSO	See Note 2.		-83		dBc
CTB	See Note 2.		-75		dBc
Vsupply			+5		V
I _{DD}			210		mA
Thermal Resistance ⁶ (jnt to case) θ_{jc}				26	°C/W

Notes:

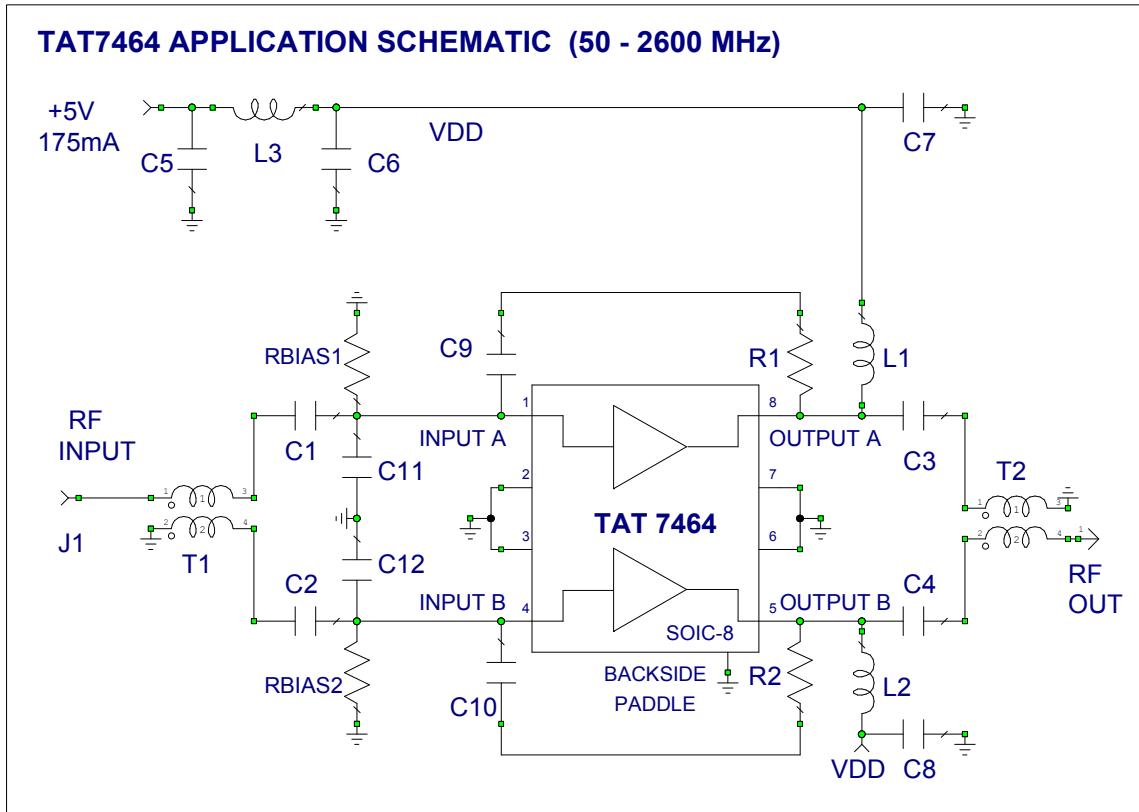
1. 50 to 1300 MHz
2. 33 dBmV/ch at output, 80 ch flat
3. Electrical specifications are measured at specified test conditions.
4. Specifications are not guaranteed over all recommended operating conditions.
5. Gain flatness defined as the gain deviation from a best-fit straight line.
6. Refer to Thermal Analysis Report.

TAT7464

CATV 75 Ω pHEMT Dual RF Amplifier



Application Circuit 50-2600 MHz



Notes:

1. See PC Board Layout, page 6 for more information.

Bill of Material

Ref. Desg.	Value	Description	Manufacturer	Part Number
U1		75 Ω dual pHEMT Amplifier	TriQuint	TAT7464
L1, L2, L3	500 nH	Chip Coil, Vertical Wire Wound Ferrite, 1206, 30 %	Murata	LQH31HNR50K
T1, T2		1:1 balun ²	Mini-Circuits	TC1-1-13M-17+
C1, C2, C5, C6, C7, C8, C9, C10	0.01 μ F	Ceramic Chip Cap., 0402, 16 V, 10 %, X7R	AVX ¹	0402YC103KAT
C3, C4	150 pF	Ceramic Chip Cap., 0402, 50 V, 5 %, NPO	AVX ¹	04025C151JAT2A
C11, C12	0.7 pF	Ceramic Chip Cap., 0402, 50 V, +/- 0.1 pF	Yuden	UVK105CH0R7BW-F
R1, R2	680 Ω	Thick Film. Chip Res., 0402, 1/16 W, 1 %,	Dale ¹	CRCW0402680RFKED
RBIAS1, RBIAS2	no load			
J1, J2		SMB edge mount	Johnson ¹	131-8701-846

Notes:

1. Or equivalent.
2. 1:1 balun may also be constructed using a binocular core (Fair Rite 2843002302; Type 43 material) with 1.5 turns of bifilar wire (MWS T2341222-10)

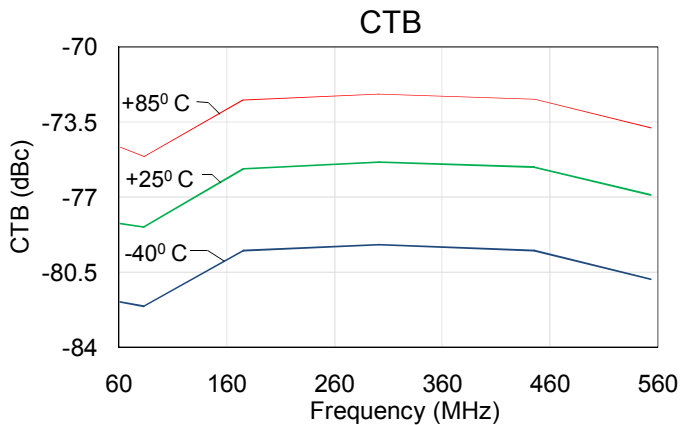
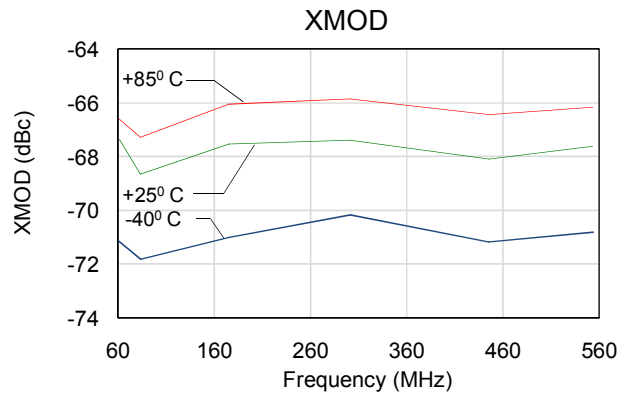
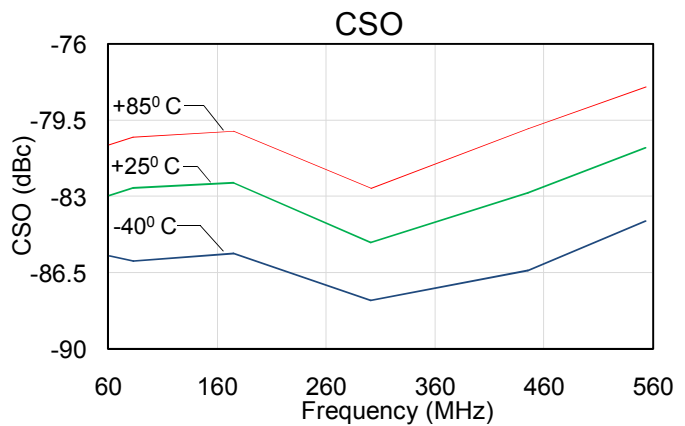
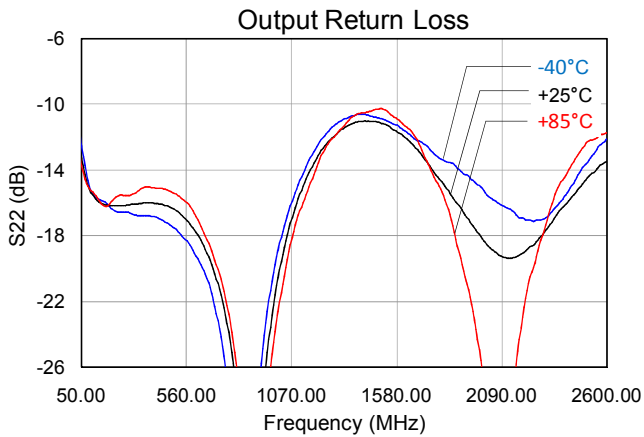
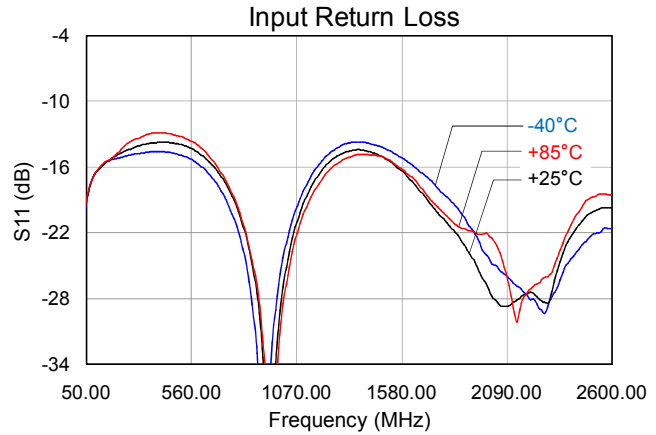
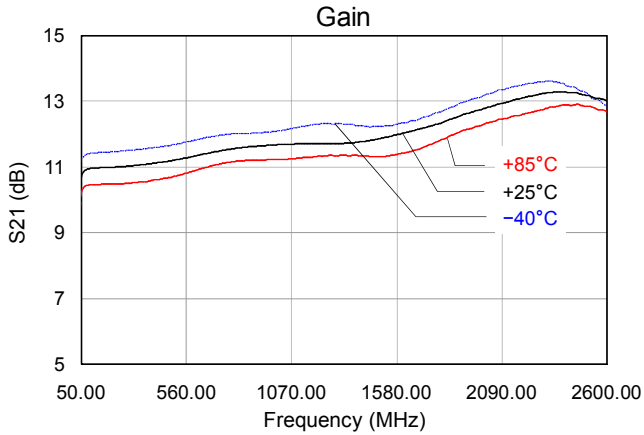
TAT7464

CATV 75 Ω pHEMT Dual RF Amplifier



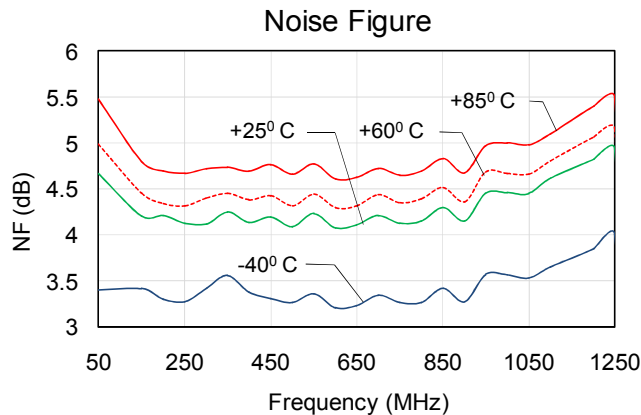
50-2600 MHz Application Board Typical Performance

$V_{DD} = +5\text{ V}$, $I_{DD} = 210\text{ mA}$



TAT7464

CATV 75 Ω pHEMT Dual RF Amplifier



Mechanical Information

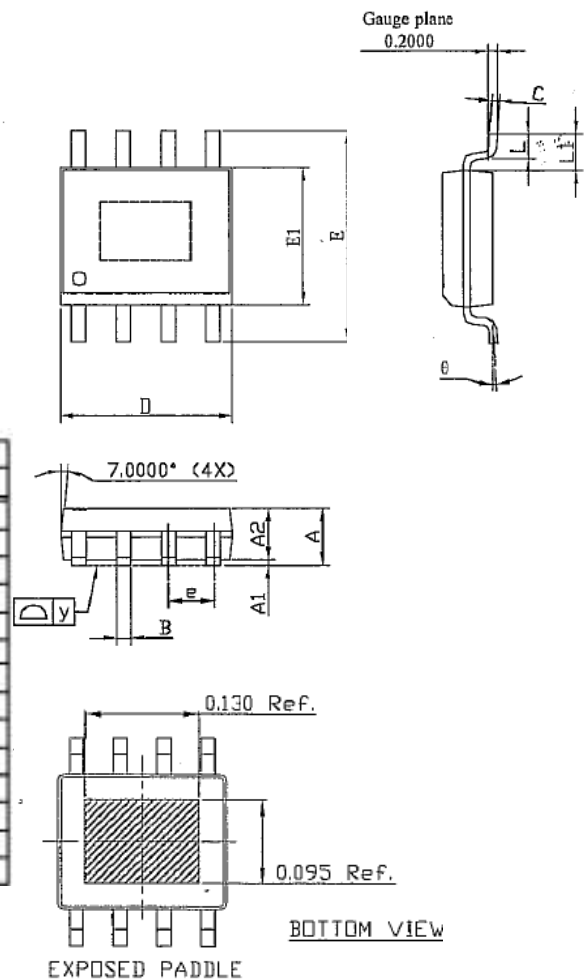
Package Information and Dimensions

This package is lead-free/RoHS-compliant. The plating material on the leads is 100% Matte Tin. It is compatible with both lead-free (maximum 260 °C reflow temperature) and lead (maximum 245 °C reflow temperature) soldering processes.

The TAT7464 will be marked with a “TAT7464” designator and an 8 digit alphanumeric lot code (XXXXYYWW). The first four digits are the lot code (XXXX). The last four digits are a date code consisting of the year and work week (YYWW) of assembly.

Dimensions in Inches

SYMBOLS	DIMENSIONS IN MILLIMETERS			DIMENSIONS IN INCHES		
	MIN	NOM	MAX	MIN	NOM	MAX
A	1.40	1.50	1.60	0.055	0.059	0.063
A1	0.00	—	0.10	0.000	—	0.004
A2	—	1.45	—	—	0.057	—
B	0.33	—	0.51	0.013	—	0.020
C	0.19	—	0.25	0.007	—	0.010
D	4.80	—	5.00	0.180	—	0.197
E1	3.80	3.90	4.00	0.150	0.153	0.157
e	—	1.27	—	—	0.050	—
E	5.80	6.00	6.20	0.228	0.236	0.244
L	0.40	—	1.27	0.016	—	0.050
y	—	—	0.10	—	—	0.004
θ	0°	—	8°	0°	—	8°
L1-L1'	—	—	0.12	—	—	0.005
L1	1.04REF			0.041REF		



Product Compliance Information

ESD Information



Caution! ESD-Sensitive Device

ESD Rating: Class 1 A+
Value: Passes \geq 450 V min.
Test: Human Body Model (HBM)
Standard: JEDEC Standard JESD22-A114

ESD Rating: Class III+
Value: Passes \geq 2000 V min.
Test: Charged Device Model (CDM)
Standard: JEDEC Standard JESD22-C101

MSL Rating

Level 3 at +260 °C convection reflow.
The part is rated Moisture Sensitivity Level 3 at 260 °C per
JEDEC standard IPC/JEDEC J-STD-020.

Solderability

Compatible with the latest version of J-STD-020, Lead free solder, 260 °C.

This part is compliant with EU 2002/95/EC RoHS directive (Restrictions on the Use of Certain Hazardous Substances in Electrical and Electronic Equipment).

Contact Information

For the latest specifications, additional product information, worldwide sales and distribution locations, and information about TriQuint:

Web: www.triquint.com
Email: info-sales@tqs.com

Tel: +1.707.526.4498
Fax: +1.707.526.1485

For technical questions and application information:

Email: sjcappliations.engineering@tqs.com

Important Notice

The information contained herein is believed to be reliable. TriQuint makes no warranties regarding the information contained herein. TriQuint assumes no responsibility or liability whatsoever for any of the information contained herein. TriQuint assumes no responsibility or liability whatsoever for the use of the information contained herein. The information contained herein is provided "AS IS, WHERE IS" and with all faults, and the entire risk associated with such information is entirely with the user. All information contained herein is subject to change without notice. Customers should obtain and verify the latest relevant information before placing orders for TriQuint products. The information contained herein or any use of such information does not grant, explicitly or implicitly, to any party any patent rights, licenses, or any other intellectual property rights, whether with regard to such information itself or anything described by such information.

TriQuint products are not warranted or authorized for use as critical components in medical, life-saving, or life-sustaining applications, or other applications where a failure would reasonably be expected to cause severe personal injury or death.