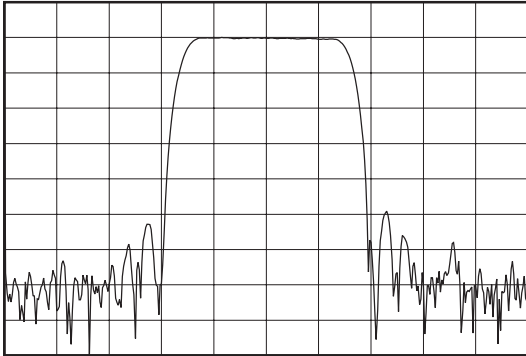
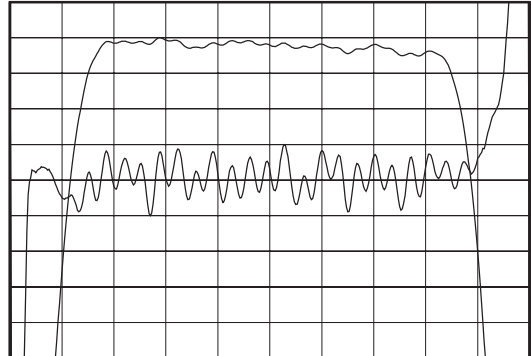


Data Sheet

Typical Performance



Horizontal: 2 MHz/Div
Vertical: 10 dB/Div

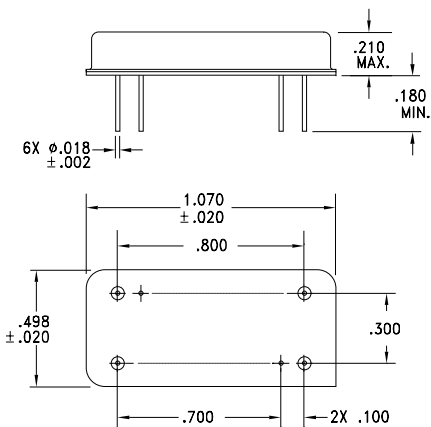


Horizontal: 800 kHz/Div
Vertical: 1 dB/Div
Vertical: 25 nsec/Div

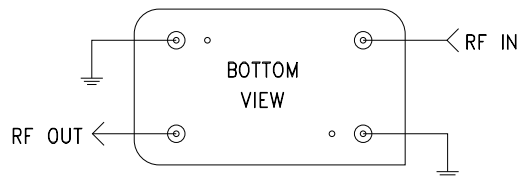
Specifications

Parameter	Unit	Minimum	Typical	Maximum
Center Frequency	MHz	-	44	-
Insertion Loss	dB	-	20.3	22
Lower 3 dB Bandedge	MHz	-	40.98	41.025
Upper 3 dB Bandedge	MHz	46.975	47.0243	-
Lower 38 dB Bandedge	MHz	40.165	40.32	-
Upper 38 dB Bandedge	MHz	-	47.75	47.835
Passband Variation	dB p-p	-	0.4	1.25
Phase Ripple	deg p-p	-	2.1	4.5
Group Delay Ripple	nsec	-	55	100
Triple Transit Level	dB	42	48	-
Substrate Material	-	-	128 LiNbO ₃	-
Temperature Coefficient	ppm/°C	-	-72	-

Package Outline



Matching Configuration



No Matching Required
Nominal Source/Load Impedance = 50Ω
Package Style O

10/12/99