

THE INFORMATION CONTAINED HEREIN IS CONSIDERED "PROPRIETARY" TO BEL FUSE INC. AND SHALL NOT BE COPIED, REPRODUCED OR DISCLOSED WITHOUT THE WRITTEN APPROVAL OF BEL FUSE INC.

RoHS
2002/95/EC



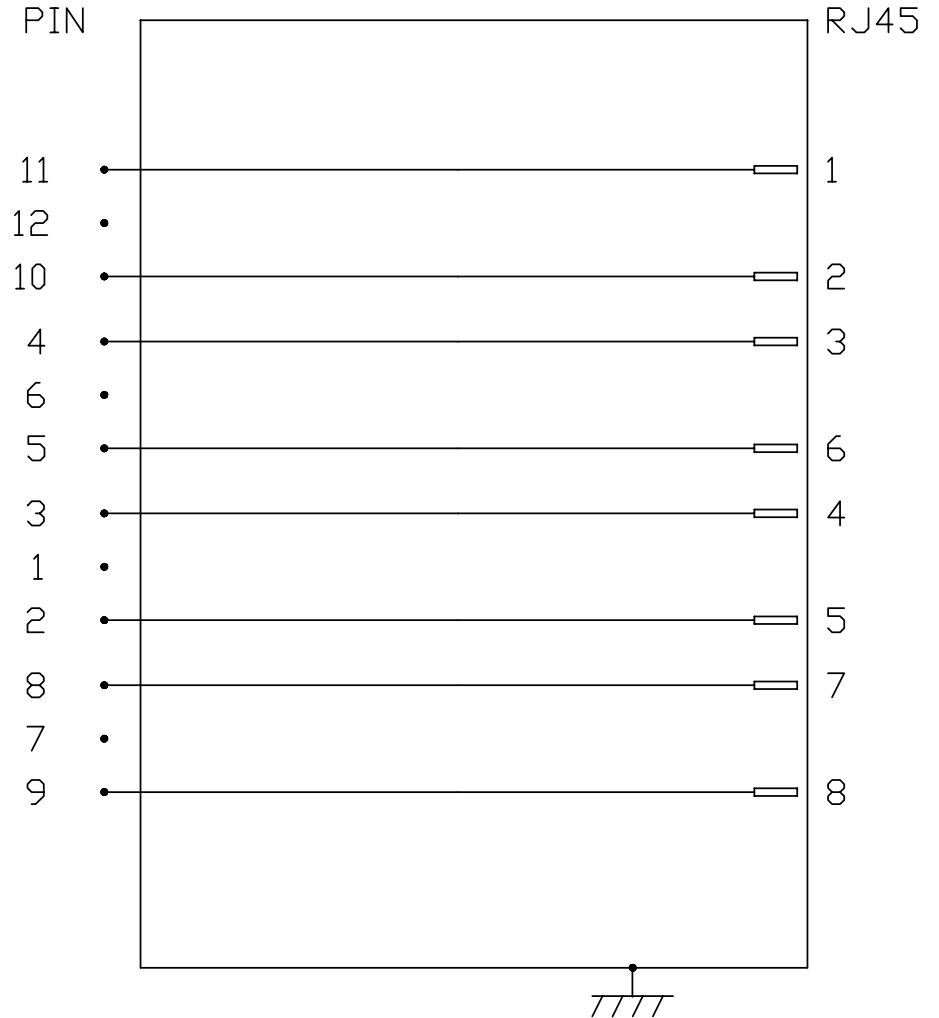
SCHEMATIC

ELECTRICAL SPECIFICATIONS

(pin 11 - RJ1),(pin 10 - RJ2),(pin 4 - RJ3),(pin 5 - RJ6), CONTINUITY
(pin 3 - RJ4),(pin 2 - RJ5), (pin 8 - RJ7), (pin 9 - RJ8), CONTINUITY

USB ELECTRICAL:

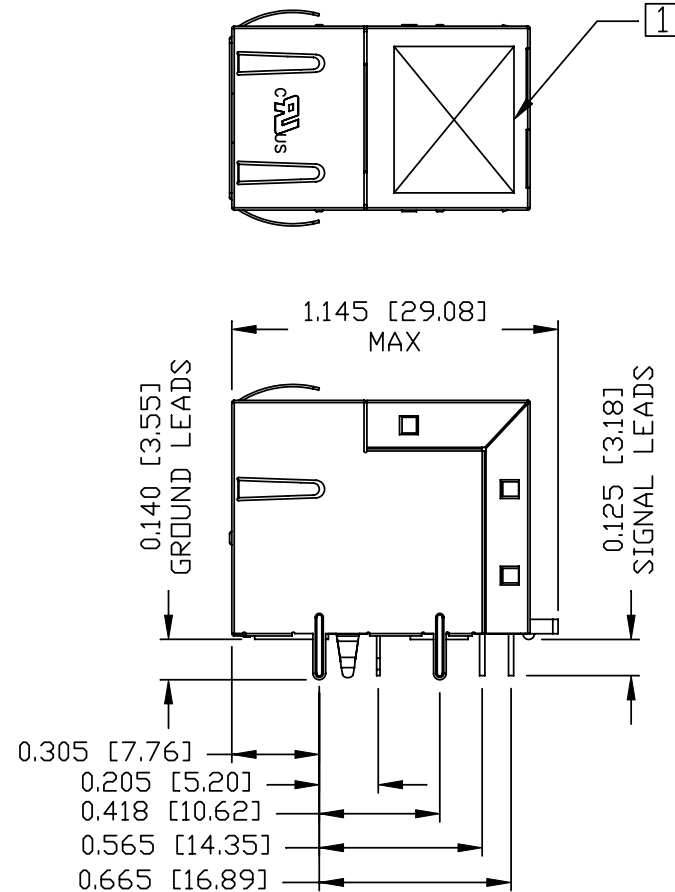
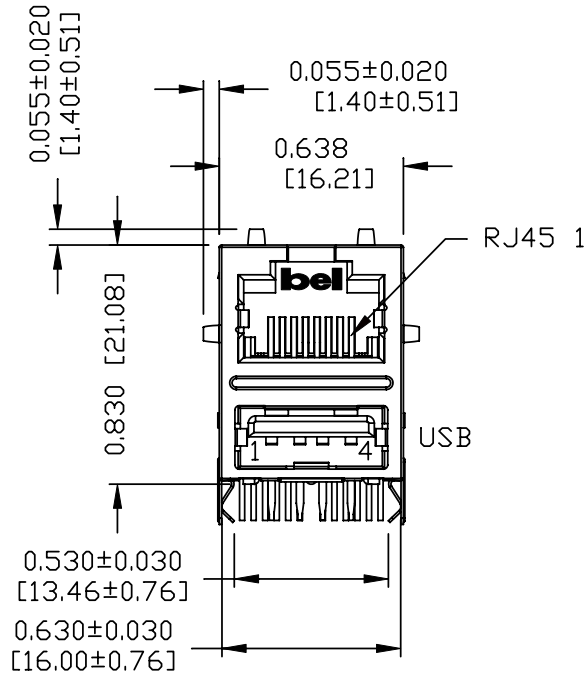
INSULATION RESISTANCE: 1000 MEG.Ω(MIN)
CONTACT RESISTANCE: 25 MILLI.Ω(MAX)
DIELECTRIC WITHSTANDING: 750 VAC



ORIGINATED BY CHOW WANGCHUNG	DATE 05-22-09	TITLE Passive Combo Connector 0820-1X1T-00-F	PART NO. / DRAWING NO. 08201X1T00-F	STANDARD DIM. TOL. IN INCH	[] METRIC DIM. AS REFERENCE	 COMPONENTS FOR A CONNECTED PLANET	
DRAWN BY LI YONGFENG	DATE 05-22-09		FILE NAME 08201X1T00-F_A.DWG	.X	UNIT : INCH [mm]		REV. : A
				.XX	SCALE : N/A		SIZE : A4
				.XXX		PAGE : 2	

THE INFORMATION CONTAINED HEREIN IS CONSIDERED "PROPRIETARY" TO BEL FUSE INC. AND SHALL NOT BE COPIED, REPRODUCED OR DISCLOSED WITHOUT THE WRITTEN APPROVAL OF BEL FUSE INC.

MECHANICAL SPECIFICATION



RJ45 MECHANICAL:

PLASTIC HOUSING: THERMOPLASTIC PBT
 FLAMMABILITY RATING UL 94V-0
 CONTACT PLATING: 30 MICRO-INCH HARD GOLD PLATING
 PINS: TIN-COATED COPPER WIRE, DIA 0.018 INCH.
 METAL SHIELD: NICKEL PLATED ON COPPER ALLOY.
 (ALL GROUND LEADS ARE SOLDER DIPPED)

USB MECHANICAL:

MATING FORCE: 35 NEWTONS MAXIMUM
 UNMATING FORCE: 10 NEWTONS MINIMUM
 CONTACT: PROSPHER BRONZE GOLD PLATING ON CONTACT AREA AND TIN ON SOLDER TAIL.
 30 MICRO-INCH GOLD PLATING ON CONTACT AREA

1 MARK PART WITH MFG. LOGO, MFG. NAME, PART NUMBER, AND DATE CODE.

2 RoHS COMPLIANCE, PER EU DIRECTIVE 2002/95/EC.

US UL RECOGNIZED - FILE #E196366 AND E169987.

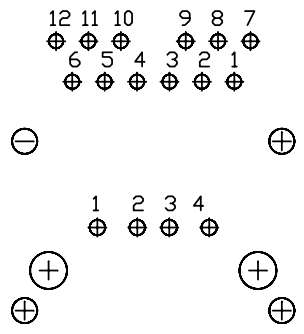
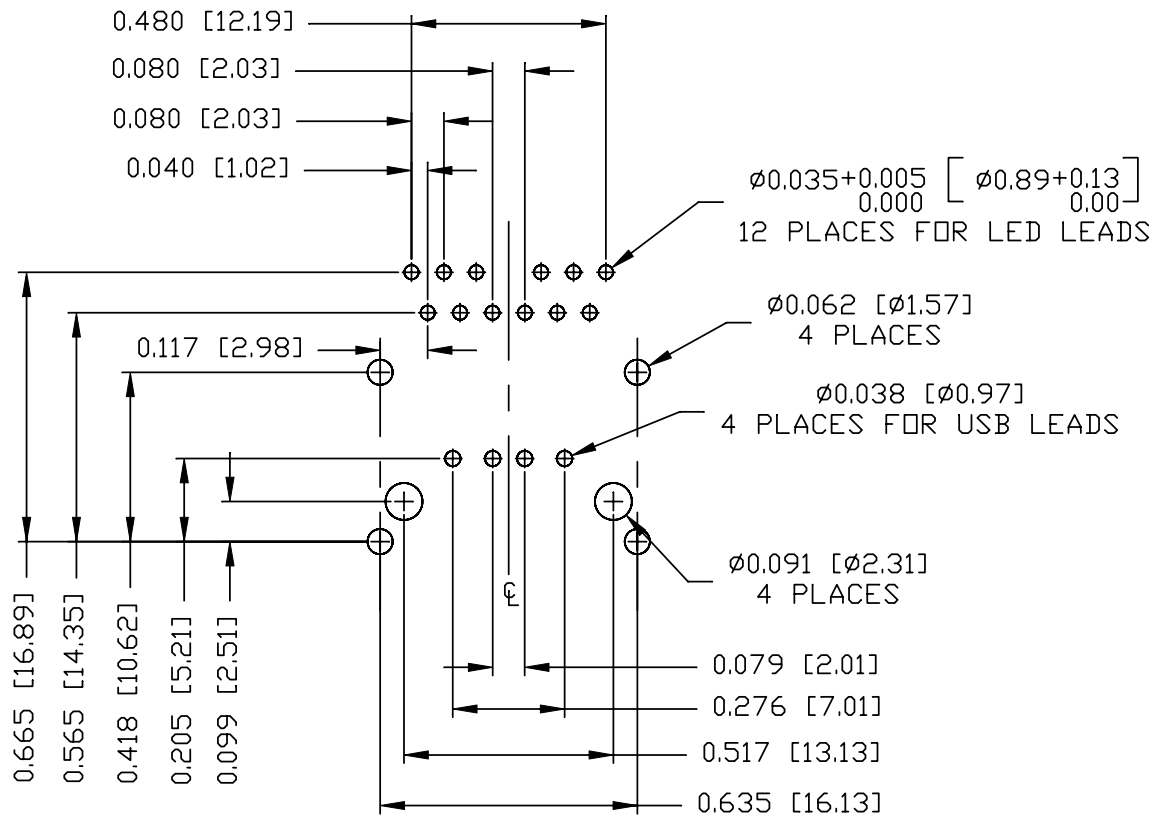
ORIGINATED BY LIU QIN	DATE 05-22-09	TITLE Passive Combo Connector	PART NO. / DRAWING NO. 08201X1T00-F	STANDARD DIM. TOL. IN INCH	[] METRIC DIM. AS REFERENCE
DRAWN BY XIAN JIAXIN	DATE 05-22-09		FILE NAME 08201X1T00-F_A.DWG	.X .XX .XXX	UNIT : INCH [mm] SCALE : N/A ±0.010



THE INFORMATION CONTAINED HEREIN IS CONSIDERED "PROPRIETARY" TO BEL FUSE INC. AND SHALL NOT BE COPIED, REPRODUCED OR DISCLOSED WITHOUT THE WRITTEN APPROVAL OF BEL FUSE INC.



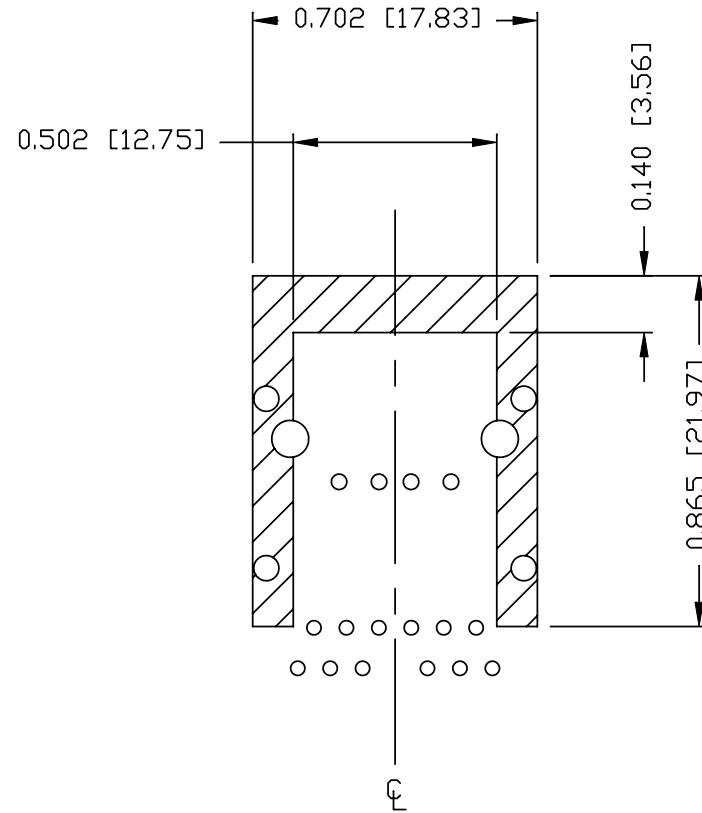
RECOMMENDED PCB FOOTPRINT
COMPONENT SIDE VIEW



ORIGINATED BY LIU QIN	DATE 05-22-09	TITLE Passive Combo Connector 0820-1X1T-00-F	PART NO. / DRAWING NO. 08201X1T00-F	STANDARD DIM. TOL. IN INCH	[] METRIC DIM. AS REFERENCE
	DRAWN BY XIAN JIAXIN		DATE 05-22-09	FILE NAME 08201X1T00-F_A.DWG	.X .XX .XXX ±0.004



THE INFORMATION CONTAINED HEREIN IS CONSIDERED 'PROPRIETARY' TO BEL FUSE INC. AND SHALL NOT BE COPIED, REPRODUCED OR DISCLOSED WITHOUT THE WRITTEN APPROVAL OF BEL FUSE INC.



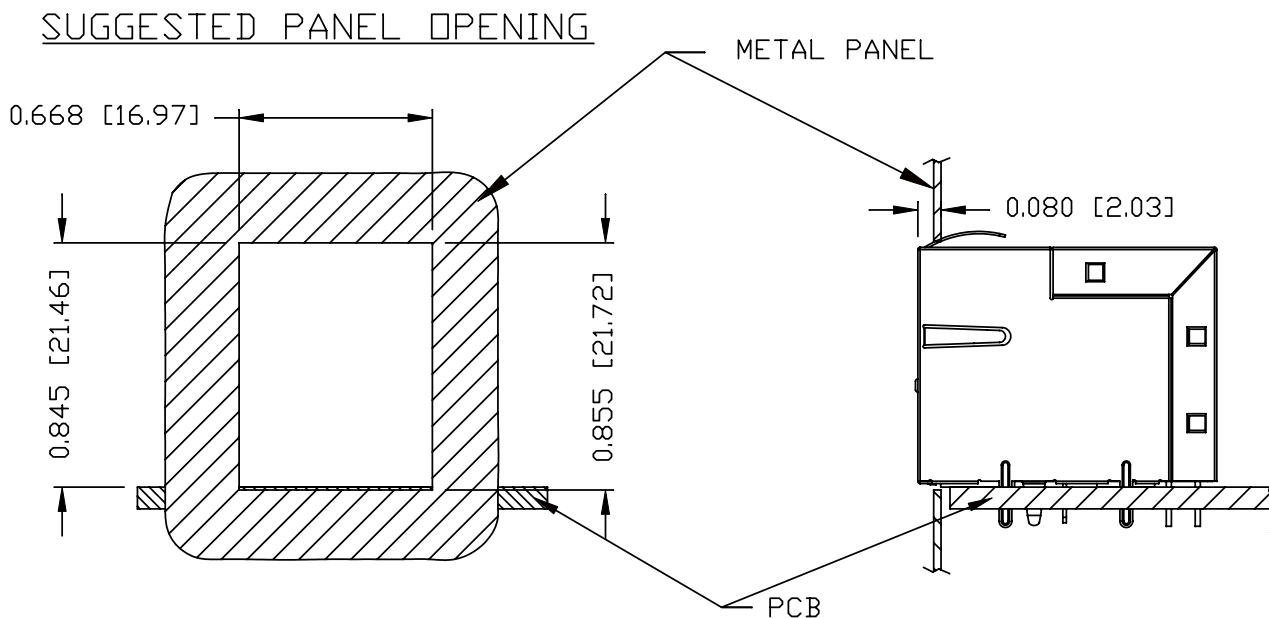
NOTES

THE SHADED AREA ON THE CUSTOMER BOARD ARE RECOMMENDED TO BE CLEAR OFF ANY VIA HOLE OR COMPONENT PAD.

ORIGINATED BY LIU QIN	DATE 05-22-09	TITLE Passive Combo Connector 0820-1X1T-00-F	PART NO. / DRAWING NO. 08201X1T00-F	STANDARD DIM. TOL. IN INCH	[] METRIC DIM. AS REFERENCE	
	DRAWN BY XIAN JIAXIN		DATE 05-22-09	FILE NAME 08201X1T00-F_A.DWG	.X /	UNIT : INCH [mm]
				.XX /	SCALE : N/A	SIZE : A4
				.XXX ±0.004		PAGE : 5



THE INFORMATION CONTAINED HEREIN IS CONSIDERED "PROPRIETARY" TO BEL FUSE INC. AND SHALL NOT BE COPIED, REPRODUCED OR DISCLOSED WITHOUT THE WRITTEN APPROVAL OF BEL FUSE INC.



NOTES:

THE DISTANCE OF PANEL INSIDE SURFACE RELATIVE TO FRONT SURFACE OF PART IS ONLY A SUGGESTION. IN CASE THIS DISTANCE IS DIFFERENT, THE REQUIRED PANEL OPENING DIMENSIONS CHANGE ACCORDINGLY.

PACKING INFORMATION

PACKING TRAY : 0200-0148-48 (TOP)
0200-0148-49 (BOTTOM)

PACKING QUANTITY : 60 PCS FINISHED GOODS PER TRAY
8 TRAYS (480 PCS FINISHED GOODS) PER CARTON BOX

NOTE : CARDBOARDS ARE PLACED BETWEEN LAYERS OF PACKING TRAY INSIDE CARTON BOX
(INCLUDE THE UPPERMOST AND LOWERMOST TRAY)

ORIGINATED BY LIU QIN	DATE 05-22-09	TITLE Passive Combo Connector 0820-1X1T-00-F	PART NO. / DRAWING NO. 08201X1T00-F	STANDARD DIM. TOL. IN INCH		[] METRIC DIM. AS REFERENCE		REV. : A	bel COMPONENTS FOR A CONNECTED PLANET
				.X		UNIT : INCH [mm]	SCALE : N/A		
DRAWN BY XIAN JIAXIN	DATE 05-22-09		FILE NAME 08201X1T00-F_A.DWG	.XX				PAGE : 6	
				.XXX	±0.004				