

# TQP879001A

## 2.4GHz WLAN LNA+ SP3T Switch

### Applications

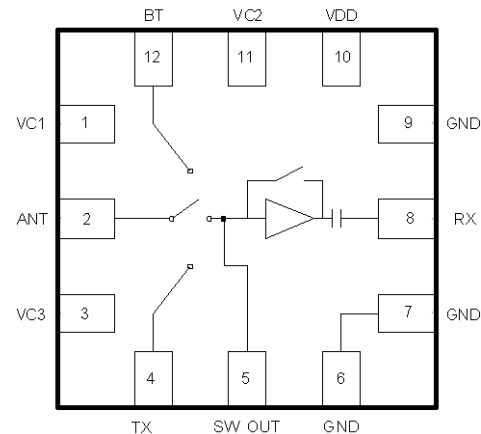
- 802.11b/g/n WLAN applications
- WLAN systems
- Portable battery powered equipment

### Product Features

- 2.4GHz WLAN by-passable LNA cascaded with low loss SP3T switch
- Temperature compensated bias network
- Single battery voltage of 3.0V to 3.6V

### Package Description

- 1.5mm x 1.5mm x 0.55mm ETSLP-12 Lead-free, Halogen-free, MSL-1 package



### General Description

The TQP879001A is a fully-integrated LNA + SP3T switch in an ultra-small 1.5mm x 1.5mm x 0.55mm footprint package for 802.11b/g/n + BT applications. The TQP879001A contains by-passable LNA, SP3T switch, and associated bias networks. The architecture and interface are optimized for next generation WLAN devices. The FEM features CMOS compatible control voltages to facilitate ease of use. With its low noise figure and low power dissipation, the FEM contributes to the extended battery life of next generation WLAN solutions. The TQP879001A is manufactured in TriQuint's high-reliability E/D pHEMT technology and is assembled in a 1.5mm x 1.5mm x 0.55mm leadless package.

### Pin Configuration

Pin Number/Name	Pin Number/Name
1 VC1	7 GND
2 ANT	8 RX
3 VC3	9 GND
4 TX	10 VDD
5 SW_OUT	11 VC2
6 GND	12 BT
Center Paddle GND	

### Ordering Information

Part No.	Description
TQP879001A	2.4GHz WLAN LNA + SP3T Switch

Standard T/R size = 5000 pieces per reel.