

THE INFORMATION CONTAINED HEREIN IS CONSIDERED 'PROPRIETARY' TO BEL FUSE INC. AND SHALL NOT BE COPIED, REPRODUCED OR DISCLOSED WITHOUT THE WRITTEN APPROVAL OF BEL FUSE INC.

RoHS
2002/95/EC



SCHEMATIC

LED1 POLARITY			LED2 POLARITY		
PIN 13	PIN 14	COLOR	PIN 15	PIN 16	COLOR
+	-	YELLOW	+	-	YELLOW
-	+	GREEN	-	+	GREEN

ELECTRICAL CHARACTERISTICS @ 25°C

URNS RATIO

TP1	1CT : 1CT ±2%
TP2	1CT : 1CT ±2%
TP3	1CT : 1CT ±2%
TP4	1CT : 1CT ±2%

OCL @ 100kHz/100mVRMS

8mA DC BIAS 350µH MIN.

INS. LOSS

0.1MHz TO 1MHz	-1.1 dB MAX
1MHz TO 65MHz	-0.5 dB MAX
65MHz TO 100MHz	-0.8 dB MAX
100MHz TO 125MHz	-1.2 dB MAX

RET. LOSS (MIN)

0.5MHz-40MHz	-18 dB
40MHz-100MHz	-12+20LOG(f/80MHz) dB

CM TO CM REJ

100kHz - 100MHz -30 dB MIN

CM TO DM REJ

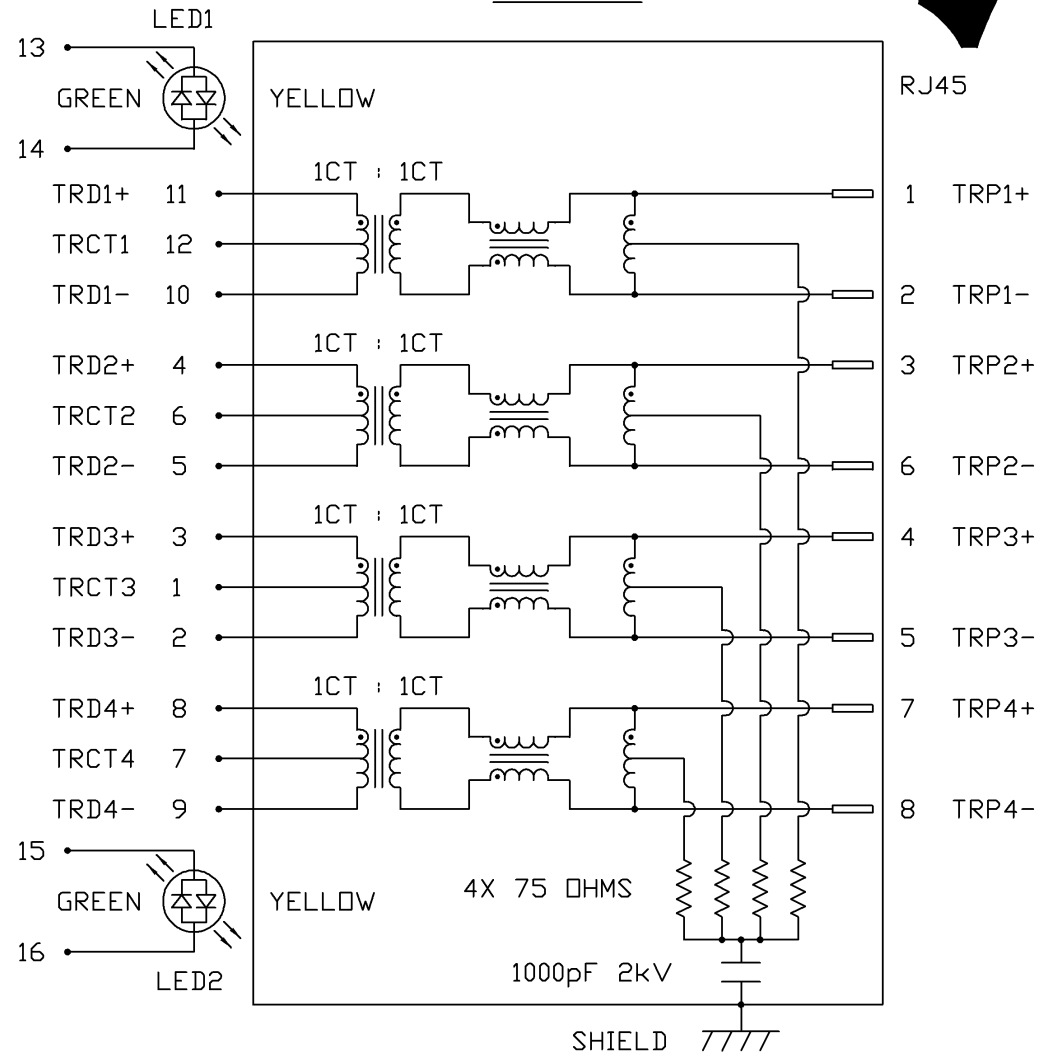
100kHz - 100MHz -35 dB MIN

HIPOT (Isolation Voltage): 1500 Vrms or 2250VDC

100% OF PRODUCTION TESTED TO COMPLY WITH IEEE 802.3 ISOLATION REQUIREMENTS.

LED 1 & LED 2

VF (FORWARD VOLTAGE)	IF=20mA	GREEN	2.2V TYP.
		YELLOW	2.1V TYP.
λD (DOMINANT WAVELENGTH)	IF=20mA	GREEN	565nm TYP.
		YELLOW	590nm TYP.



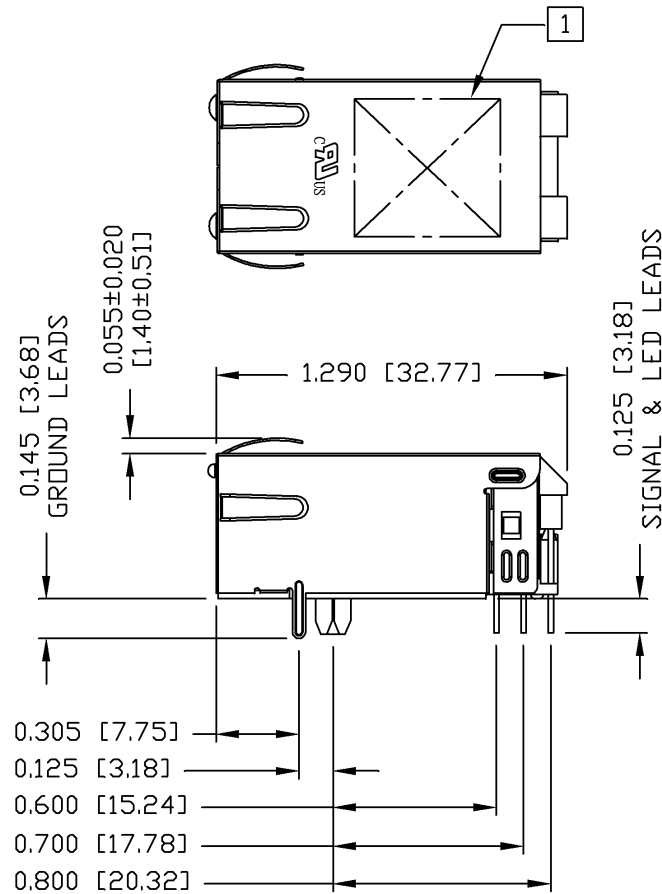
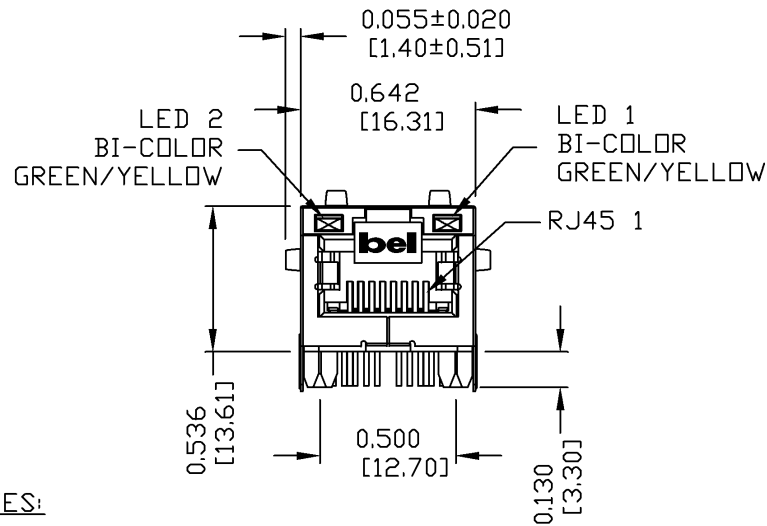
ORIGINATED BY	DATE	TITLE	PART NO. / DRAWING NO.	STANDARD DIM.	[] METRIC DIM. AS REFERENCE	
CHOW WANCHUNG	07-31-08	glgabit MagJack® (12 cores, Tab Up)	08261C1T23-F	TOL. IN INCH	UNIT : INCH [mm]	REV. : C
DRAWN BY	DATE			FILE NAME	.X	SCALE : N/A
WEIDE LEE	07-31-08	0826-1C1T-23-F	08261C1T23-F_C.DWG	.XX	⊕	PAGE : 2
				.XXX		



THE INFORMATION CONTAINED HEREIN IS CONSIDERED 'PROPRIETARY' TO BEL FUSE INC. AND SHALL NOT BE COPIED, REPRODUCED OR DISCLOSED WITHOUT THE WRITTEN APPROVAL OF BEL FUSE INC.



MECHANICAL SPECIFICATION



NOTES:

- PLASTIC HOUSING: THERMOPLASTIC PA
- FLAMMABILITY RATING UL 94V-0
- CONTACTS: 50 MICRO-INCH HARD GOLD PLATING
- OUTPUT PINS: TIN-COATED COPPER WIRE, DIA 0.018 INCH.
- METAL SHIELD: NICKEL PLATED ON COPPER ALLOY.
- (ALL GROUND LEADS ARE SOLDER DIPPED)
- ☐ MARK PART WITH MFG LOGO, MFG NAME, PART NUMBER, AND DATE CODE.

UL US UL RECOGNIZED - FILE #E196366 AND E169987.
 RoHS COMPLIANT, PER EU DIRECTIVE 2002/95/EC
 JACK CAVITY CONFORMS TO FCC RULES AND REGULATIONS.

ORIGINATED BY ZX HUANG	DATE 07-31-08	TITLE gigabit MagJack® (12 cores, Tab Up)	PART NO. / DRAWING NO. 08261C1T23-F	STANDARD DIM.		[] METRIC DIM. AS REFERENCE	
				TOL. IN INCH		UNIT : INCH [mm]	REV. : C
DRAWN BY BL CHEN	DATE 07-31-08	0826-1C1T-23-F	FILE NAME 08261C1T23-F_C.DWG	.X	±0.010	SCALE : N/A	SIZE : A4
				.XX		PAGE : 3	
				.XXX			



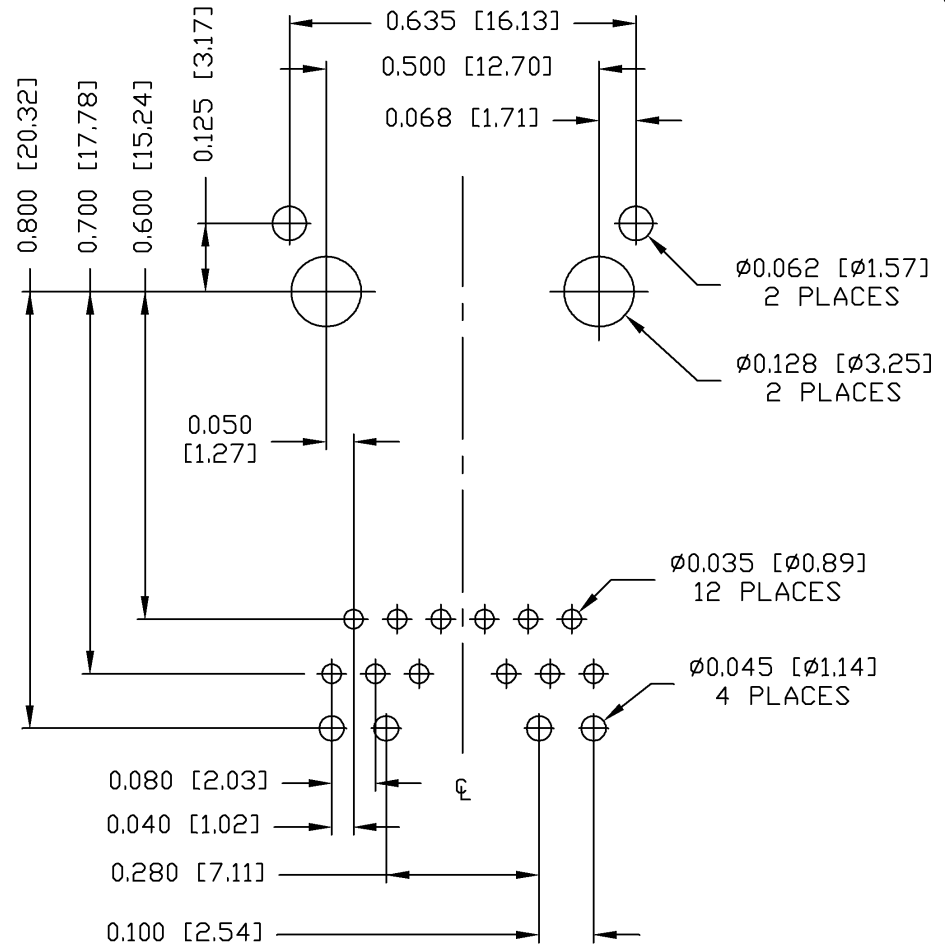
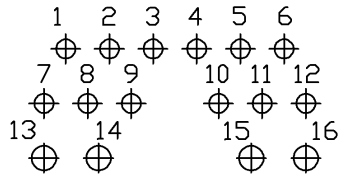
THE INFORMATION CONTAINED HEREIN IS CONSIDERED 'PROPRIETARY' TO BEL FUSE INC. AND SHALL NOT BE COPIED, REPRODUCED OR DISCLOSED WITHOUT THE WRITTEN APPROVAL OF BEL FUSE INC.

RoHS
2002/95/EC



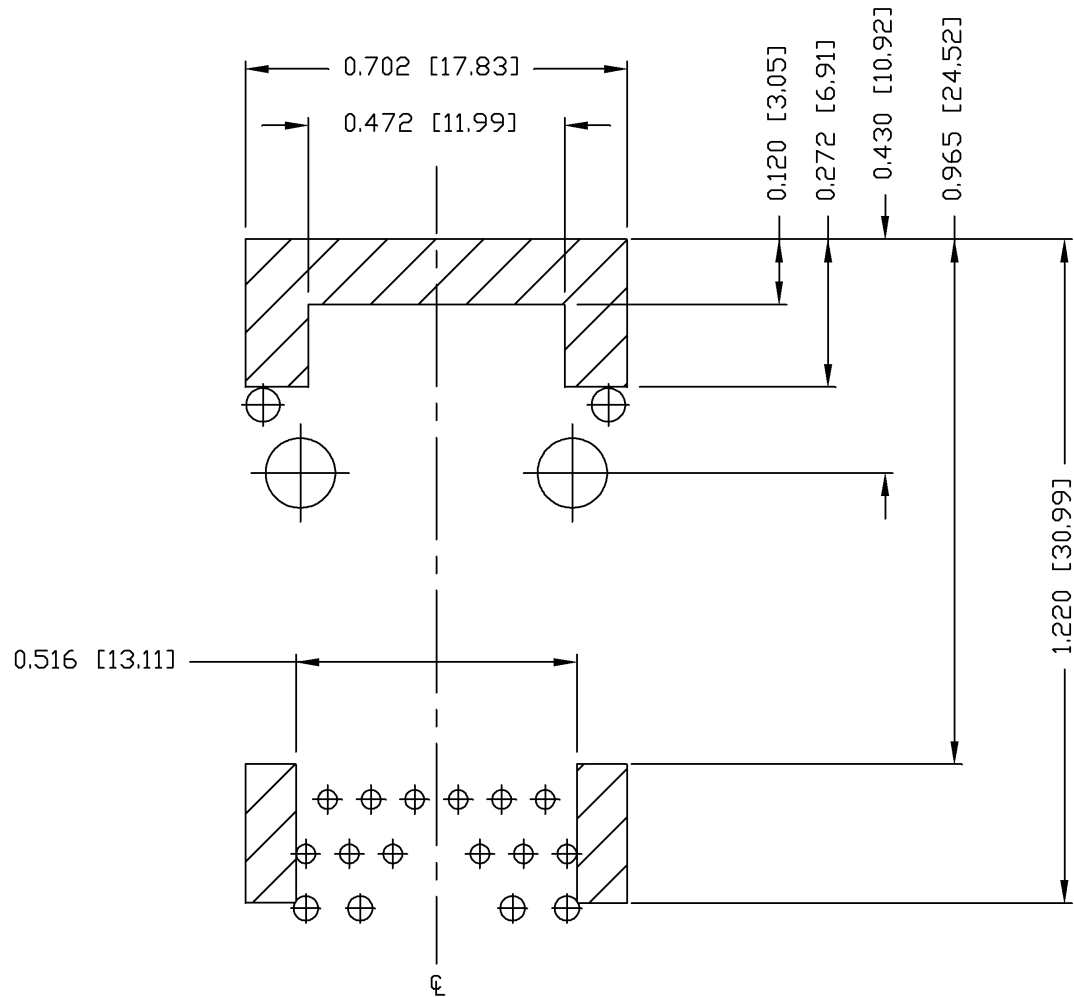
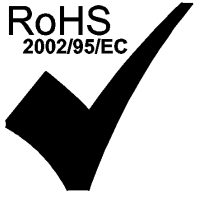
RECOMMENDED PCB FOOTPRINT
COMPONENT SIDE VIEW

PIN ASSIGNMENT - EACH PORT
COMPONENT SIDE VIEW



ORIGINATED BY ZX HUANG	DATE 07-31-08	TITLE gigabit MagJack® (12 cores, Tab Up) 0826-1C1T-23-F	PART NO. / DRAWING NO. 08261C1T23-F	STANDARD DIM. TOL. IN INCH	[] METRIC DIM. AS REFERENCE	bel COMPONENTS ON A CONNECTED PLANET
DRAWN BY BL CHEN	DATE 07-31-08		FILE NAME 08261C1T23-F_C.DWG	.X .XX .XXX	±0.004	

THE INFORMATION CONTAINED HEREIN IS CONSIDERED 'PROPRIETARY' TO BEL FUSE INC. AND SHALL NOT BE COPIED, REPRODUCED OR DISCLOSED WITHOUT THE WRITTEN APPROVAL OF BEL FUSE INC.



NOTES

THE SHADED AREA ON THE CUSTOMER BOARD ARE RECOMMENDED TO BE CLEAR OFF ANY VIA HOLE OR COMPONENT PAD.

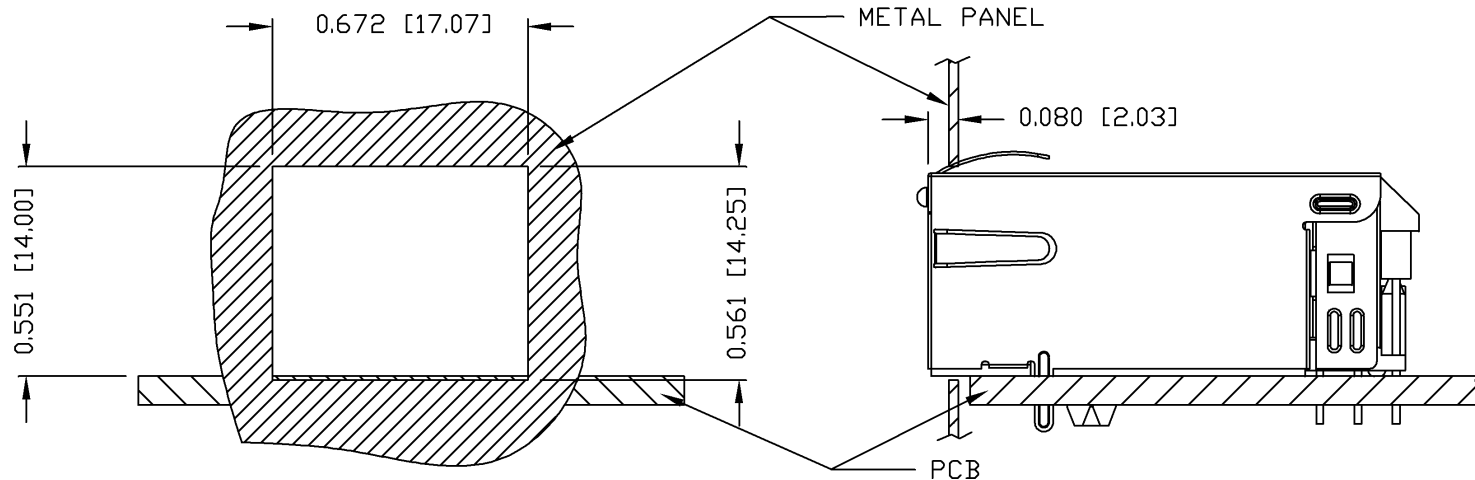
ORIGINATED BY ZX HUANG	DATE 07-31-08	TITLE gigabit MagJack® (12 cores, Tab Up)	PART NO. / DRAWING NO. 08261C1T23-F	STANDARD DIM.		[] METRIC DIM. AS REFERENCE		REV. : C	bel COMPONENTS FOR A CONNECTED PLANET
				TOL. IN INCH		UNIT : INCH [mm]	SIZE : A4		
DRAWN BY BL CHEN	DATE 07-31-08	0826-1C1T-23-F	FILE NAME 08261C1T23-F_C.DWG	.X		SCALE : N/A	SIZE : A4	PAGE : 5	
				.XX					
				.XXX	±0.004				

THE INFORMATION CONTAINED HEREIN IS CONSIDERED 'PROPRIETARY' TO BEL FUSE INC. AND SHALL NOT BE COPIED, REPRODUCED OR DISCLOSED WITHOUT THE WRITTEN APPROVAL OF BEL FUSE INC.

RoHS
2002/95/EC



SUGGESTED PANEL OPENING



NOTE:

THE DISTANCE OF PANEL INSIDE SURFACE RELATIVE TO FRONT SURFACE OF PART IS ONLY A SUGGESTION. IN CASE THIS DISTANCE IS DIFFERENT, THE REQUIRED PANEL OPENING DIMENSIONS CHANGE ACCORDINGLY.

PACKING INFORMATION

PACKING TRAY : 0200-9999-F6 (TOP)

0200-9999-F7 (BOTTOM)

PACKING QUANTITY : 40 PCS FINISHED GOODS PER TRAY

10 TRAYS (400 PCS FINISHED GOODS) PER CARTON BOX

NOTE : CARDBOARDS ARE PLACED BETWEEN LAYERS OF PACKING TRAY INSIDE CARTON BOX
(INCLUDE THE UPPERMOST AND LOWERMOST TRAY)

ORIGINATED BY ZX HUANG	DATE 07-31-08	TITLE 10Gigabit MagJack® (12 cores, Tab Up) 0826-1C1T-23-F	PART NO. / DRAWING NO. 08261C1T23-F	STANDARD DIM.		[] METRIC DIM. AS REFERENCE		bel COMPONENTS FOR A CONNECTED PLANET
DRAWN BY BL CHEN	DATE 07-31-08		FILE NAME 08261C1T23-F_C.DWG	TOL. IN INCH		UNIT : INCH [mm]	REV. : C	
			.X		SCALE : N/A	SIZE : A4		
			.XX			PAGE : 6		
			.XXX	±0.004				