

THE INFORMATION CONTAINED HEREIN IS CONSIDERED "PROPRIETARY" TO BEL FUSE INC. AND SHALL NOT BE COPIED, REPRODUCED OR DISCLOSED WITHOUT THE WRITTEN APPROVAL OF BEL FUSE INC.

RoHS  
2002/95/EC



LED1 POLARITY			LED2 POLARITY		
PIN 13	PIN 14	COLOR	PIN 15	PIN 16	COLOR
-	+	YELLOW	+	-	ORANGE
			-	+	GREEN

ELECTRICAL CHARACTERISTICS @ 25°C

URNS RATIO

TP1	1CT : 1CT ±2%
TP2	1CT : 1CT ±2%
TP3	1CT : 1CT ±2%
TP4	1CT : 1CT ±2%

□CL @ 100kHz/100mVRMS

8mA DC BIAS 350μH MIN.

INS. LOSS

0.1MHz TO 1MHz	-1.1 dB MAX
1MHz TO 65MHz	-0.5 dB MAX
65MHz TO 100MHz	-0.8 dB MAX
100MHz TO 125MHz	-1.2 dB MAX

RET. LOSS (MIN)

0.5MHz-40MHz	-18 dB
40MHz-100MHz	-12+20LOG(F/80MHz) dB

CM TO CM REJ

100kHz - 100MHz -30 dB MIN

CM TO DM REJ

100kHz - 100MHz -35 dB MIN

HIPOT (Isolation Voltage):

1500 Vrms

100% OF PRODUCTION TESTED TO COMPLY WITH

IEEE 802.3 ISOLATION REQUIREMENTS.

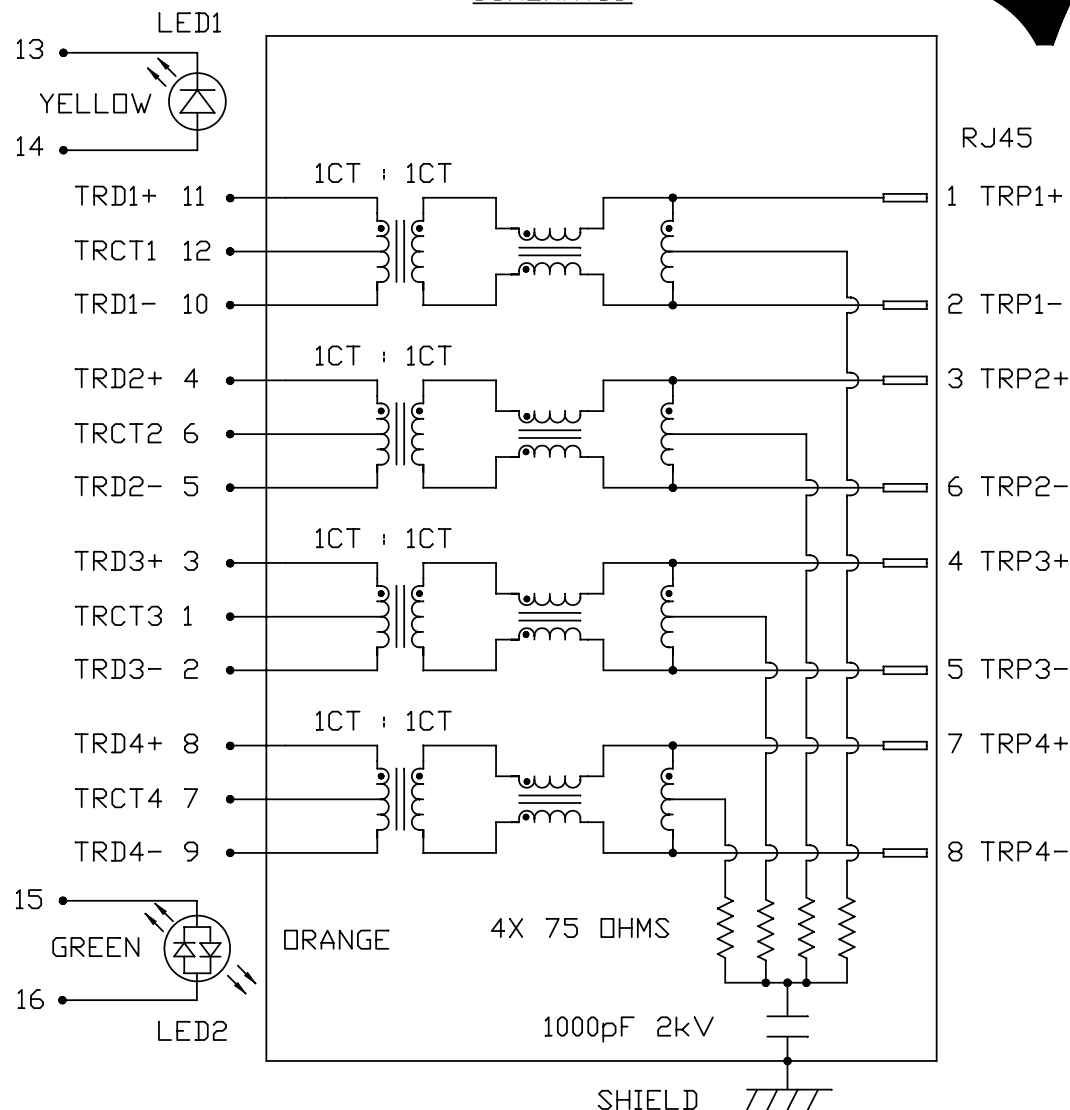
LED 1

VF (FORWARD VOLTAGE)	IF=20mA	YELLOW	2.1V TYP.
λD (DOMINANT WAVELENGTH)	IF=20mA	YELLOW	590nm TYP.

LED 2

VF (FORWARD VOLTAGE)	IF=20mA	GREEN	2.2V TYP.
		ORANGE	2.0V TYP.
λD (DOMINANT WAVELENGTH)	IF=20mA	GREEN	565nm TYP.
		ORANGE	610nm TYP.

SCHEMATIC



ORIGINATED BY	DATE	TITLE	PART NO. / DRAWING NO.	STANDARD DIM. TOL. IN INCH	[ ] METRIC DIM. AS REFERENCE	
CHOW WANCHUNG	06-16-09				UNIT : INCH [mm]	REV. : D
DRAWN BY	DATE	PATENTED	FILE NAME	.X	SCALE : N/A	SIZE : A4
LI YONGFENG	06-16-09				.XX	⊕

gigabit MagJack® (12 cores, Tab Up)	08261X1T23-F
0826-1X1T-23-F	08261X1T23-F_D.DWG

08261X1T23-F	08261X1T23-F_D.DWG
--------------	--------------------

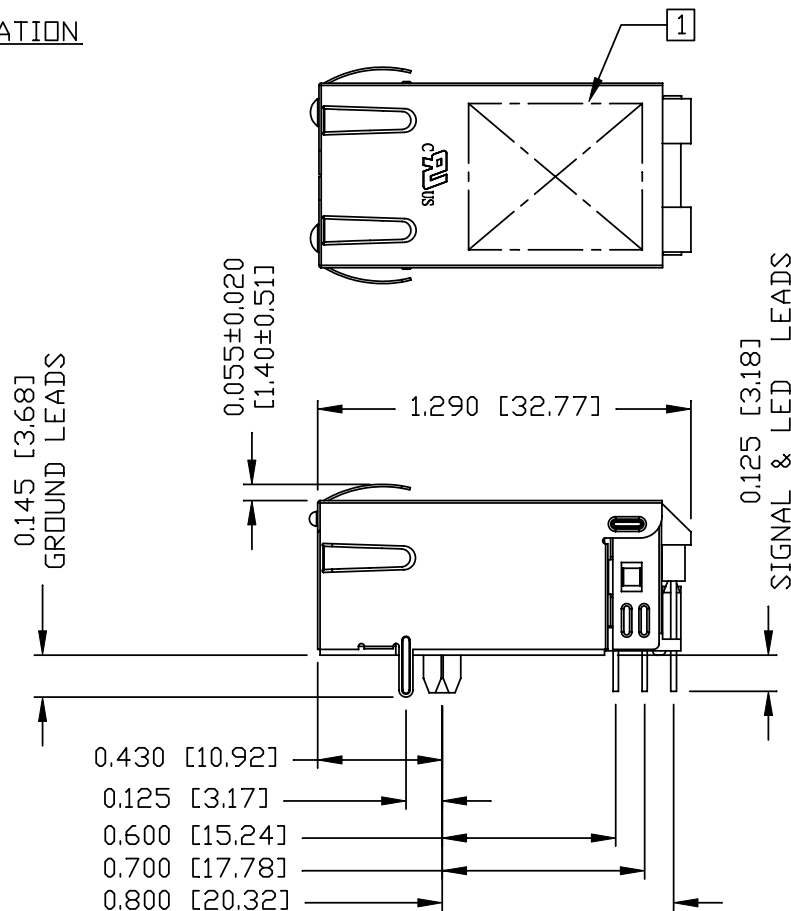
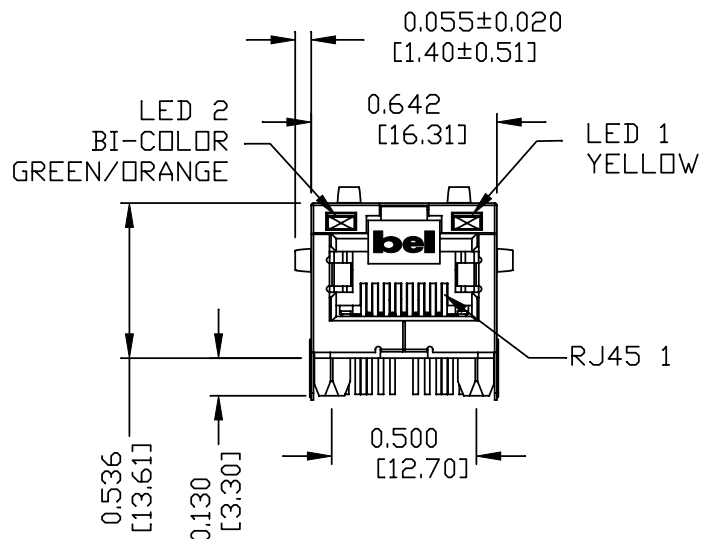
08261X1T23-F	08261X1T23-F_D.DWG
--------------	--------------------



THE INFORMATION CONTAINED HEREIN IS CONSIDERED "PROPRIETARY" TO BEL FUSE INC. AND SHALL NOT BE COPIED, REPRODUCED OR DISCLOSED WITHOUT THE WRITTEN APPROVAL OF BEL FUSE INC.

MECHANICAL SPECIFICATION

RoHS  
2002/95/EC



NOTES:

PLASTIC HOUSING: THERMOPLASTIC PA  
FLAMMABILITY RATING UL 94V-0  
CONTACTS: 50 MICRO-INCH HARD GOLD PLATING  
OUTPUT PINS: TIN-COATED COPPER WIRE, DIA 0.018 INCH.  
METAL SHIELD: NICKEL PLATED ON COPPER ALLOY.  
(ALL GROUND LEADS ARE SOLDER DIPPED)

1] MARK PART WITH MFG LOGO, MFG NAME, PART NUMBER, DATE CODE AND "PATENTED" MARKING. THE PRODUCT IS PATENTED. THE PATENTED NUMBER IS U.S. PAT. 5,736,910.

2] RoHS COMPLIANCE, PER EU DIRECTIVE 2002/95/EC. JACK CAVITY CONFORMS TO FCC RULES AND REGULATIONS.

3] USUL RECOGNIZED - FILE #E196366 AND E169987.

ORIGINATED BY ZX HUANG	DATE 06-16-09	TITLE gigabit MagJack® (12 cores, Tab Up) 0826-1X1T-23-F PATENTED	PART NO. / DRAWING NO. 08261X1T23-F	STANDARD DIM. TOL. IN INCH	[ ] METRIC DIM. AS REFERENCE		 COMPONENTS FOR A CONNECTED PLANET
DRAWN BY BL CHEN	DATE 06-16-09		FILE NAME 08261X1T23-F_D.DWG	.X	UNIT : INCH [mm]	REV. : D	
			.XX	SCALE : N/A	SIZE : A4		
			.XXX ±0.010		PAGE : 3		

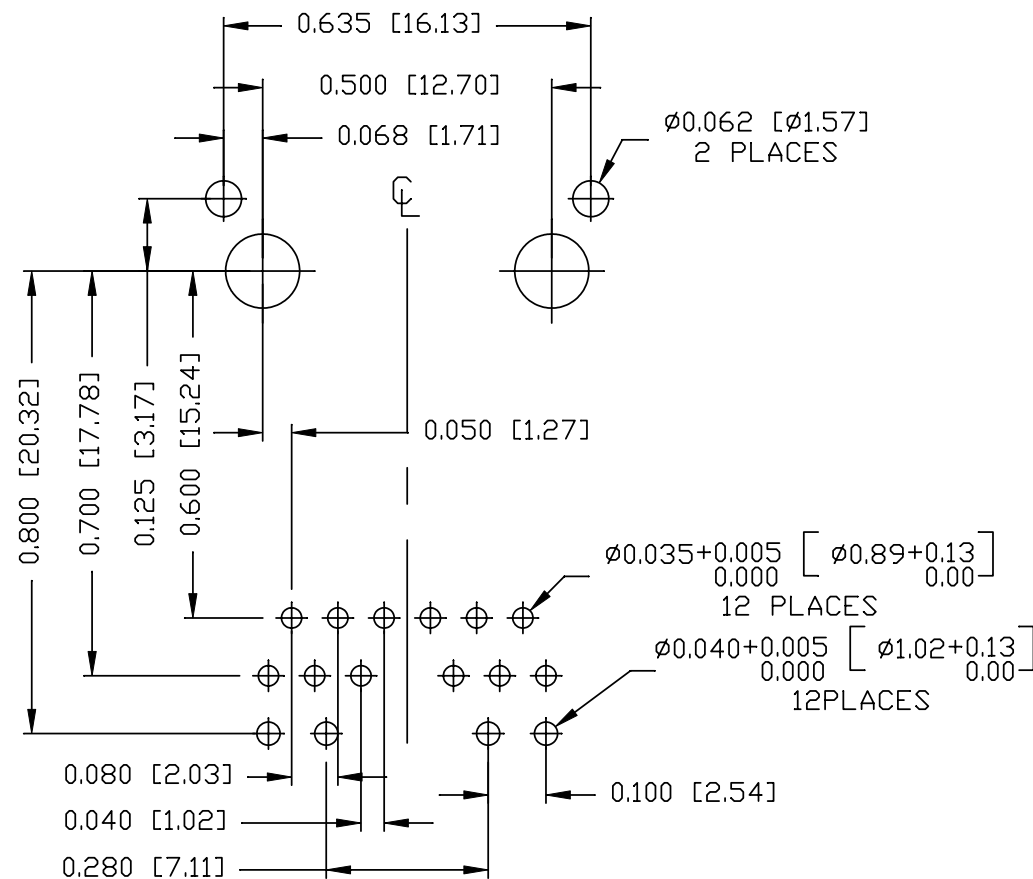
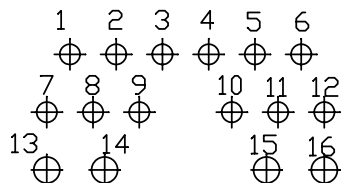
THE INFORMATION CONTAINED HEREIN IS CONSIDERED "PROPRIETARY" TO BEL FUSE INC. AND SHALL NOT BE COPIED, REPRODUCED OR DISCLOSED WITHOUT THE WRITTEN APPROVAL OF BEL FUSE INC.

RoHS  
2002/95/EC



RECOMMENDED PCB FOOTPRINT  
COMPONENT SIDE VIEW

PIN ASSIGNMENT - EACH PORT  
COMPONENT SIDE VIEW



ORIGINATED BY ZX HUANG	DATE 06-16-09
DRAWN BY BL CHEN	DATE 06-16-09

TITLE gigabit MagJack® (CM Termination) 0826-1X1T-23-F PATENTED
---

PART NO. / DRAWING NO. 08261X1T23-F
FILE NAME 08261X1T23-F_D.DWG

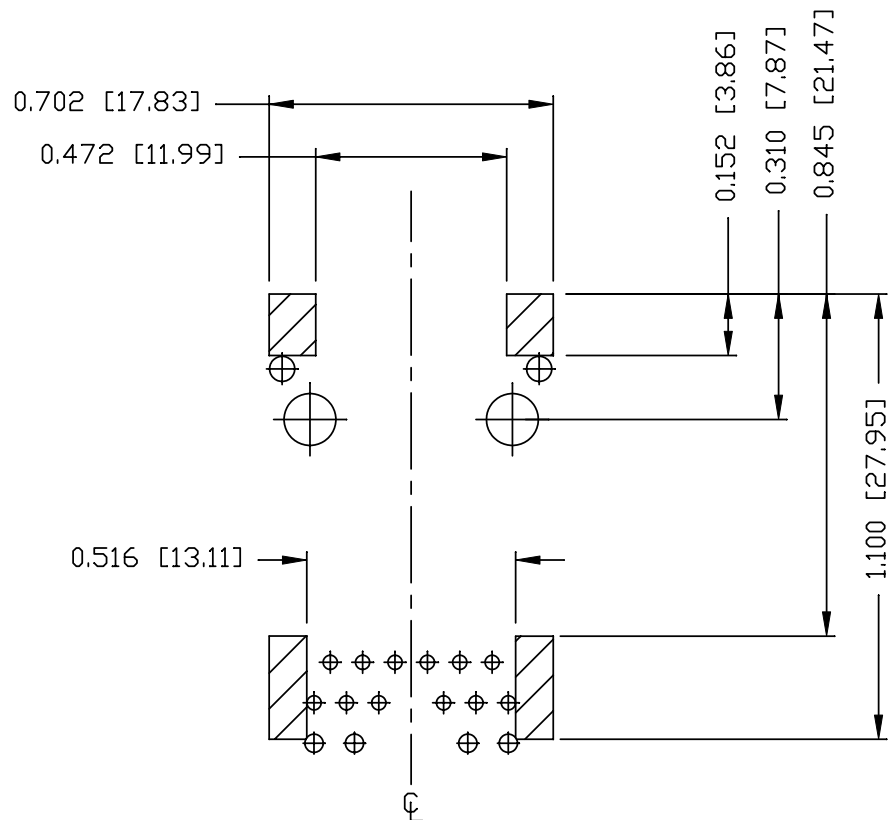
STANDARD DIM. TOL. IN INCH	
.X	
.XX	
.XXX	±0.004

[ ] METRIC DIM. AS REFERENCE	UNIT : INCH [mm]	REV. : D
SCALE : N/A	SIZE : A4	PAGE : 4



THE INFORMATION CONTAINED HEREIN IS CONSIDERED  
 "PROPRIETARY" TO BEL FUSE INC. AND SHALL NOT BE  
 COPIED, REPRODUCED OR DISCLOSED WITHOUT THE  
 WRITTEN APPROVAL OF BEL FUSE INC.

RoHS  
 2002/95/EC



NOTES

THE SHADED AREA ON THE CUSTOMER BOARD ARE  
 RECOMMENDED TO BE CLEAR OFF ANY VIA HOLE OR  
 COMPONENT PAD.

ORIGINATED BY ZX HUANG	DATE 06-16-09	TITLE gigabit MagJack® (12 cores, Tab Up) 0826-1X1T-23-F PATENTED	PART NO. / DRAWING NO. 08261X1T23-F		STANDARD DIM. TOL. IN INCH		[ ] METRIC DIM. AS REFERENCE			
	DRAWN BY BL CHEN		DATE 06-16-09	FILE NAME 08261X1T23-F_D.DWG	.X /	.XX /	.XXX ±0.004	UNIT : INCH [mm]	REV. : D	SCALE : N/A
									PAGE : 5	

**bel**

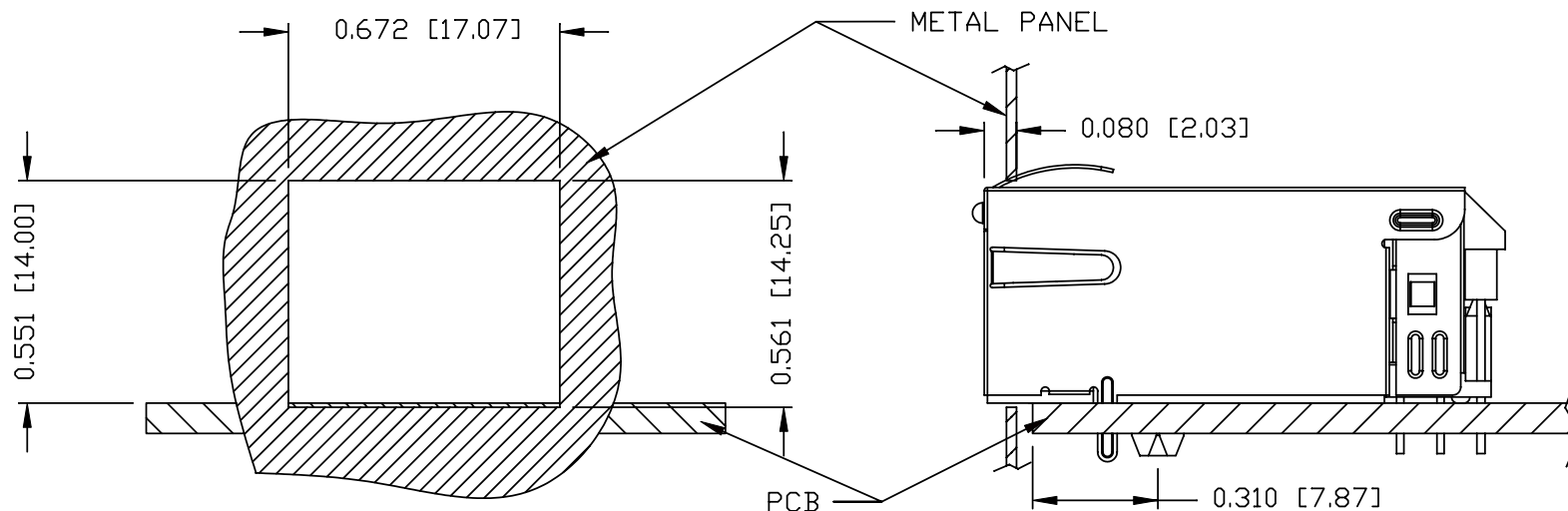
COMPONENTS FOR A  
 CONNECTED  
 PLANET

THE INFORMATION CONTAINED HEREIN IS CONSIDERED "PROPRIETARY" TO BEL FUSE INC. AND SHALL NOT BE COPIED, REPRODUCED OR DISCLOSED WITHOUT THE WRITTEN APPROVAL OF BEL FUSE INC.

RoHS  
2002/95/EC



SUGGESTED PANEL OPENING



NOTE:

THE DISTANCE OF PANEL INSIDE SURFACE RELATIVE TO FRONT SURFACE OF PART IS ONLY A SUGGESTION. IN CASE THIS DISTANCE IS DIFFERENT, THE REQUIRED PANEL OPENING DIMENSIONS CHANGE ACCORDINGLY.

PACKING INFORMATION

PACKING TRAY : 0200-9999-F6 (TOP)

0200-9999-F7 (BOTTOM)

PACKING QUANTITY : 40 PCS FINISHED GOODS PER TRAY

10 TRAYS (400 PCS FINISHED GOODS) PER CARTON BOX

NOTE : CARDBOARDS ARE PLACED BETWEEN LAYERS OF PACKING TRAY INSIDE CARTON BOX

(INCLUDE THE UPPERMOST AND LOWERMOST TRAY)

ORIGINATED BY	DATE	TITLE	PART NO. / DRAWING NO.	STANDARD DIM. TOL. IN INCH	[ ] METRIC DIM. AS REFERENCE	
ZX HUANG	06-16-09	gigabit MagJack® (12 cores, Tab Up) 0826-1X1T-23-F PATENTED	08261X1T23-F	.X	UNIT : INCH [mm] REV. : D	
DRAWN BY	DATE		FILE NAME	.XX	SCALE : N/A SIZE : A4	
BL CHEN	06-16-09		08261X1T23-F_D.DWG	.XXX	±0.004	
						PAGE : 6

**bel**

COMPONENTS FOR A  
CONNECTED  
PLANET