

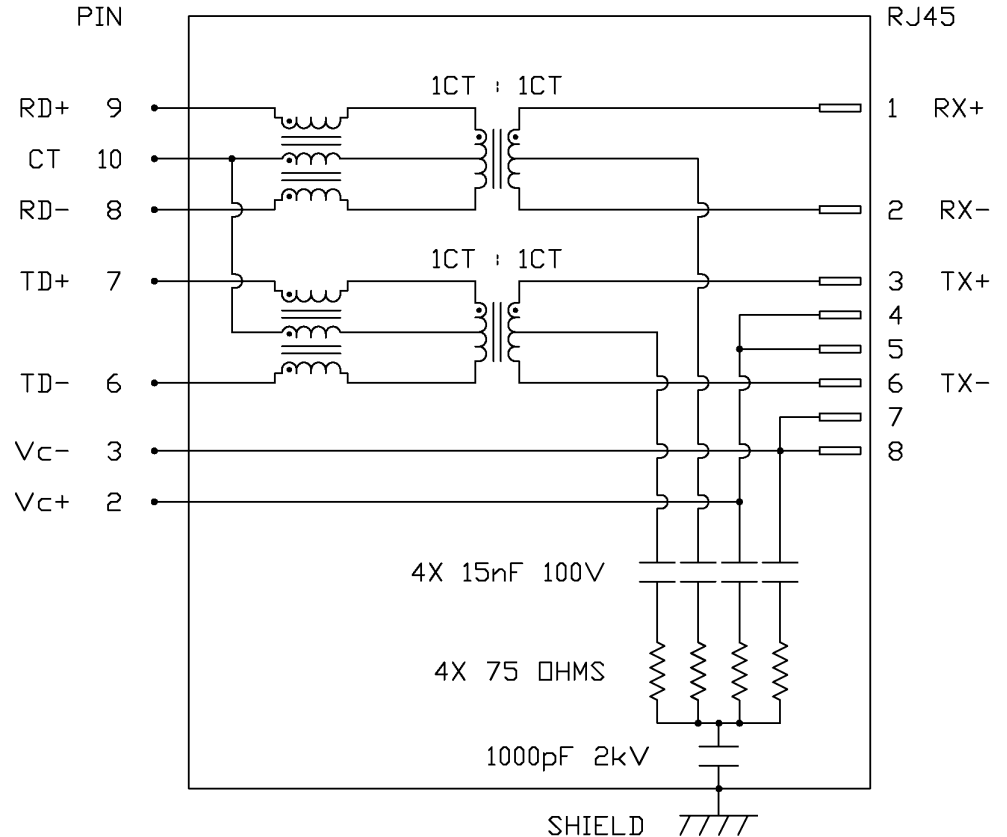
THE INFORMATION CONTAINED HEREIN IS CONSIDERED 'PROPRIETARY' TO BEL FUSE INC. AND SHALL NOT BE COPIED, REPRODUCED OR DISCLOSED WITHOUT THE WRITTEN APPROVAL OF BEL FUSE INC.



ELECTRICAL CHARACTERISTICS @ 25°C

| | |
|---|--|
| TURNS RATIO □CL @ 0.1V, 100KHz 8mA DC BIAS INSERTION LOSS 100KHz TO 100MHz RETURN LOSS (MIN.) 2MHz-30MHz 60MHz-80MHz LEAKAGE INDUCTANCE PRIMARY W/ SECONDARY SHORTED D.C. RESISTANCE (9-8)=(7-6) (RJ1-RJ2)=(RJ3-RJ6) INTERWINDING CAPACITANCE PER CHANNEL (PRI. to SEC.) XTALK 100KHz TO 100MHz HIPOT (Isolation Voltage): 100% OF PRODUCT TESTED IN PRODUCTION BALANCED DC LINE CURRENT | 1CT : 1CT ±2% 350μ H MIN. -1.5 dB MAX. -16 dB MIN. -10 dB MIN. 0.25μH MAX. @ 1MHz 1.40 ΩHM MAX. 1.0 ΩHM MAX. 40 pF MAX. -30 dB MIN. 2250 VDC 350 mA MAX. @ 57 VDC CONTINUOUS 500 mA MAX. @ 57 VDC FOR 200 MILLISECONDS |
|---|--|

SCHEMATIC

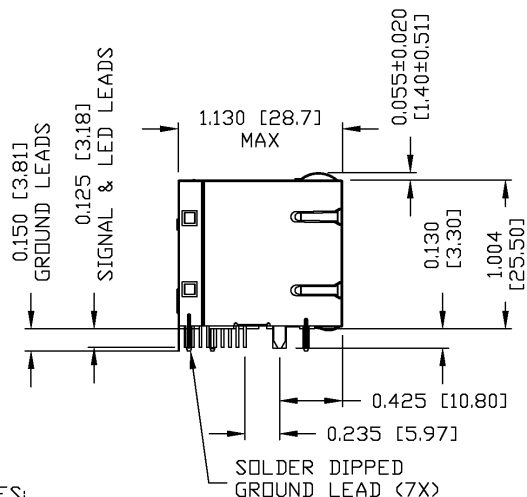


| ORIGINATED BY | DATE | TITLE | PART NO. / DRAWING NO. | STANDARD DIM. TOL. IN INCH | [] METRIC DIM. AS REFERENCE |
|---------------|----------|---|------------------------|----------------------------|------------------------------|
| CHUNG | 08-26-05 | 2X4 Stacked MagJack® FOR 10/100 VOIP/POE | 08332X4R59-F | .X | UNIT : INCH [mm] REV. : A |
| DRAWN BY | DATE | | FILE NAME | .XX | SCALE : N/A SIZE : A4 |
| DE | 08-26-05 | 0833-2X4R-59-F | 08332X4R59-FA.DWG | .XXX | PAGE : 2 |



THE INFORMATION CONTAINED HEREIN IS CONSIDERED "PROPRIETARY" TO BEL FUSE INC. AND SHALL NOT BE COPIED, REPRODUCED OR DISCLOSED WITHOUT THE WRITTEN APPROVAL OF BEL FUSE INC.

RoHS
2002/95/EC



NOTES:

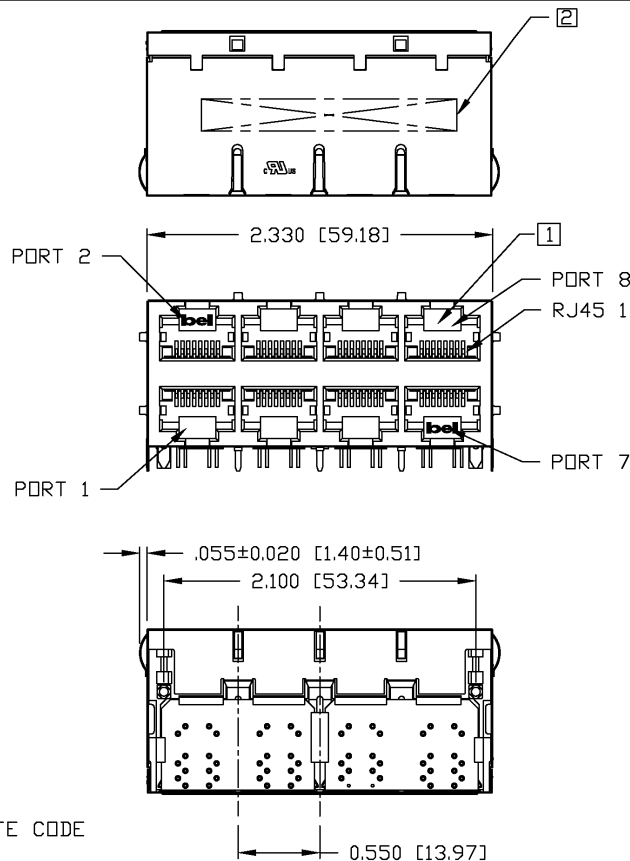
PLASTIC HOUSING: THERMOPLASTIC PBT
FLAMMABILITY RATING UL 94V-0
CONTACT PLATING: 50 MICRO-INCH HARD GOLD PLATING
OUTPUT PINS: TIN-COATED COPPER WIRE, DIA 0.018 INCH.
METAL SHIELD: NICKEL PLATED COPPER ALLOY.
(ALL GROUND LEADS ARE SOLDER DIPPED)

1 JACK CAVITY CONFORMS TO FCC RULES AND REGULATIONS, PART 68 SUBPART F.

2 MARK PART WITH MFG LOGO , MFG NAME , PART NUMBER, AND DATE CODE

UL us UL RECOGNIZED - FILE #E196366 AND E169987.

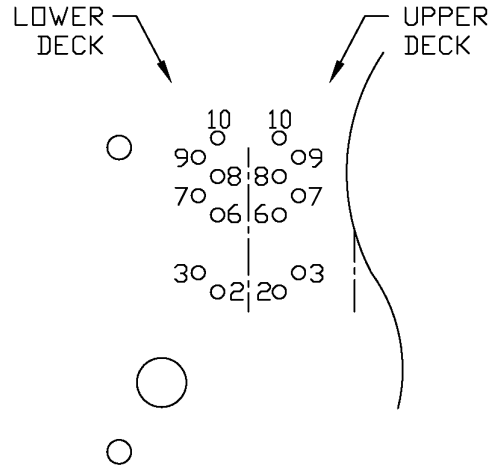
3. RoHS COMPLIANCE, PER EU DIRECTIVE 2002/95/EC.



| ORIGINATED BY | DATE | TITLE | PART NO. / DRAWING NO. | STANDARD DIM. TOL. IN INCH | [] METRIC DIM. AS REFERENCE |
|---------------|----------|---|------------------------|----------------------------|------------------------------|
| BILL | 08-26-05 | 2X4 Stacked MagJack® FOR 10/100 VOIP/POE 0833-2X4R-59-F | 08332X4R59-F | .X | UNIT : INCH [mm] REV. : A |
| DRAWN BY | DATE | | FILE NAME | .XX | SCALE : N/A SIZE : A4 |
| SARAH | 08-26-05 | | 08332X4R59-FA.DWG | .XXX ±0.010 | PAGE : 3 |



THE INFORMATION CONTAINED HEREIN IS CONSIDERED "PROPRIETARY" TO BEL FUSE INC. AND SHALL NOT BE COPIED, REPRODUCED OR DISCLOSED WITHOUT THE WRITTEN APPROVAL OF BEL FUSE INC.

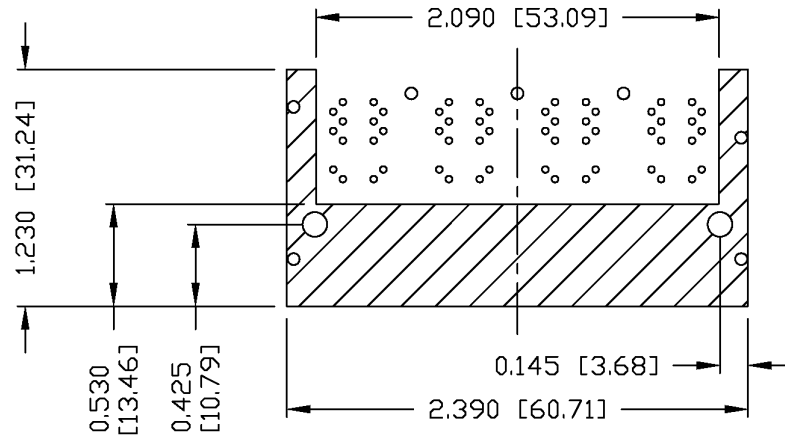
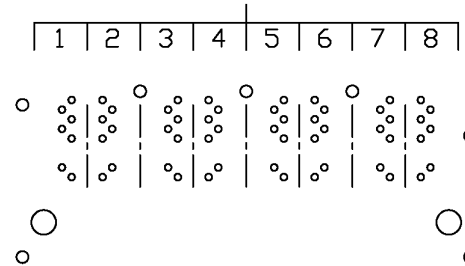


PIN-OUT INFORMATION
(COMPONENT SIDE VIEW)

| | |
|----|-----------|
| 10 | COMMON CT |
| 9 | RD+ |
| 8 | RD- |
| 7 | TD+ |
| 6 | TD- |
| 5 | NO PIN |
| 4 | NO PIN |
| 3 | Vc- |
| 2 | Vc+ |
| 1 | NO PIN |

UNUSED PIN LOCATIONS MUST BE REMOVED TO ENSURE 2KV ISOLATION.

PORT ASSIGNMENT
(COMPONENT SIDE VIEW)

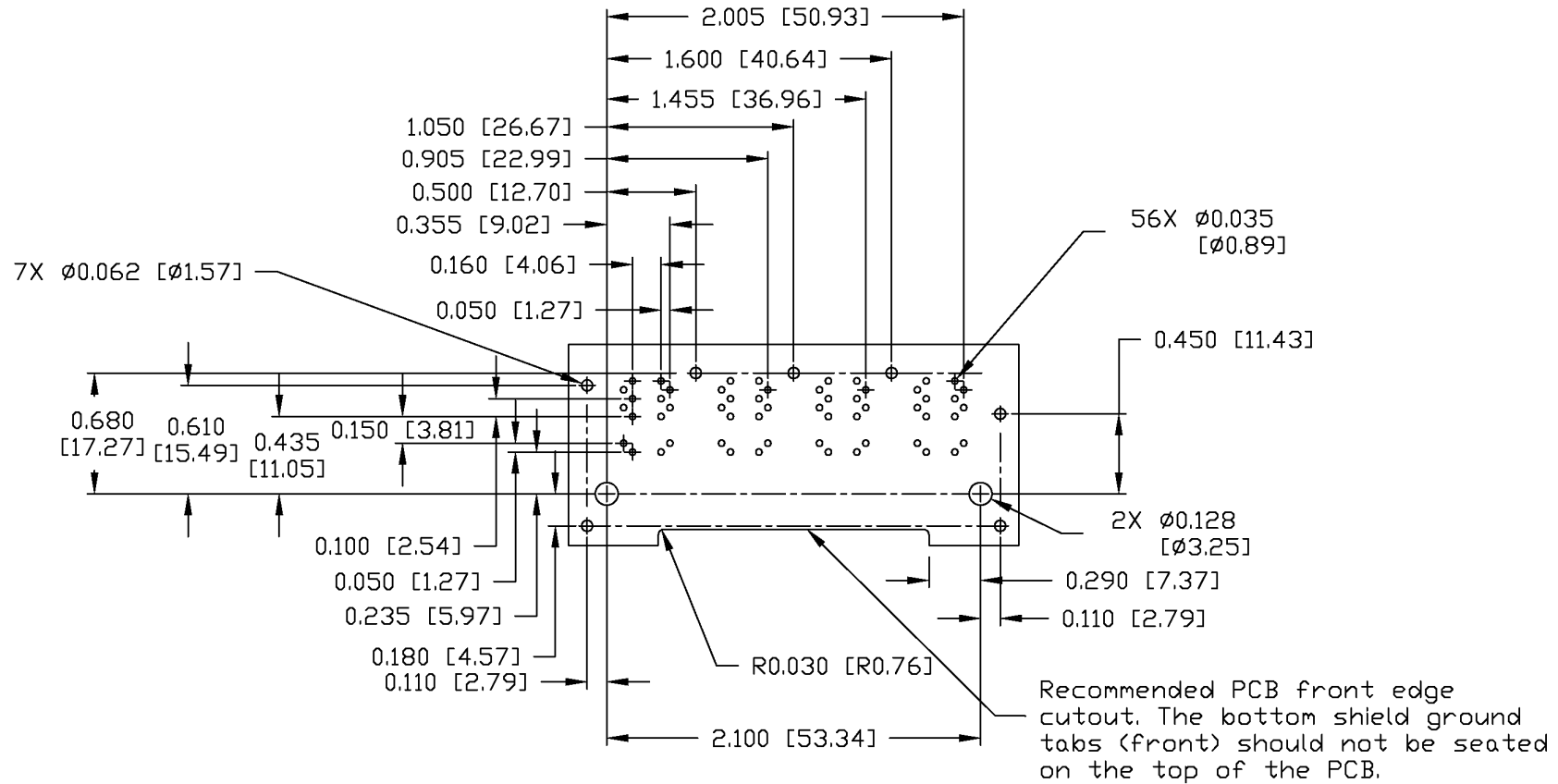


THE SHADED AREA ON THE CUSTOMER BOARD ARE RECOMMENDED TO BE CLEAR OFF ANY VIA HOLE OR COMPONENT PAD.

| | | | | | | | | |
|-----------------------|------------------|--|--|--|----------------------------|--------|------------------------------|-----------|
| ORIGINATED BY BILL | DATE 08-26-05 | TITLE 2X4 Stacked MagJack® FOR 10/100 VOIP/POE 0833-2X4R-59-F | PART NO. / DRAWING NO. 08332X4R59-F | | STANDARD DIM. TOL. IN INCH | | [] METRIC DIM. AS REFERENCE | |
| | | | FILE NAME 08332X4R59-FA.DWG | | .X | | UNIT : INCH [mm] | REV. : A |
| DRAWN BY SARAH | DATE 08-26-05 | | | | .XX | | SCALE : N/A | SIZE : A4 |
| | | | | | .XXX | ±0.010 | ⊕ | PAGE : 4 |



THE INFORMATION CONTAINED HEREIN IS CONSIDERED "PROPRIETARY" TO BEL FUSE INC. AND SHALL NOT BE COPIED, REPRODUCED OR DISCLOSED WITHOUT THE WRITTEN APPROVAL OF BEL FUSE INC.



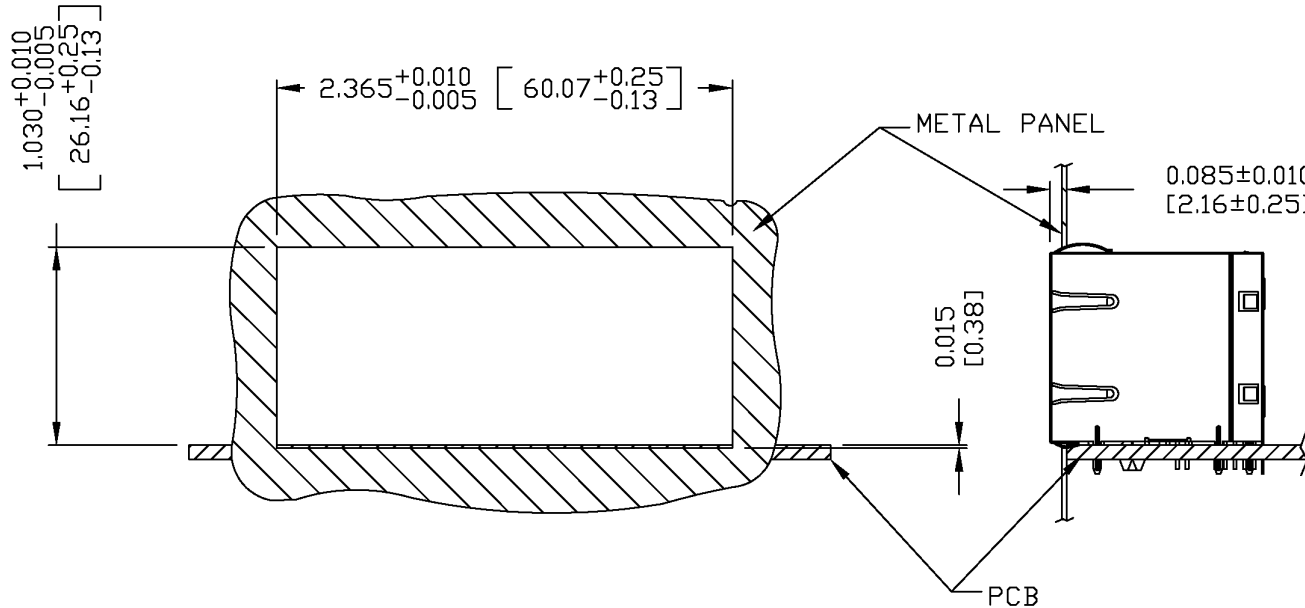
SUGGESTED FOOTPRINT
(COMPONENT SIDE VIEW)

| | | | | | | | |
|-----------------------|------------------|--|--|--|-------------------------------|--------------------------------------|-----------------------------------|
| ORIGINATED BY BILL | DATE 08-26-05 | TITLE 2X4 Stacked MagJack® FOR 10/100 VOIP/POE 0833-2X4R-59-F | PART NO. / DRAWING NO. 08332X4R59-F | | STANDARD DIM. TOL. IN INCH | [] METRIC DIM. AS REFERENCE | |
| | | | FILE NAME 08332X4R59-FA.DWG | | .X .XX .XXX | UNIT : INCH [mm] SCALE : N/A ⊕ | REV. : A SIZE : A4 PAGE : 5 |
| DRAWN BY SARAH | | DATE 08-26-05 | | | ±0.004 | | |



THE INFORMATION CONTAINED HEREIN IS CONSIDERED 'PROPRIETARY' TO BEL FUSE INC. AND SHALL NOT BE COPIED, REPRODUCED OR DISCLOSED WITHOUT THE WRITTEN APPROVAL OF BEL FUSE INC.

SUGGESTED PANEL OPENING



NOTE:

THE DISTANCE OF PANEL INSIDE SURFACE RELATIVE TO FRONT SURFACE OF PART IS ONLY A SUGGESTION. IN CASE THIS DISTANCE IS DIFFERENT, THE REQUIRED PANEL OPENING DIMENSIONS CHANGE ACCORDINGLY.

PACKING INFORMATION

PACKING TRAY : 0200-0148-46 (TOP)
0200-0148-47 (BOTTOM)

PACKING QUANTITY : 20 PCS FINISHED GOODS PER TRAY
7 TRAYS (140 PCS FINISHED GOODS) PER CARTON BOX

NOTE : CARDBOARDS ARE PLACED BETWEEN LAYERS OF PACKING TRAY INSIDE CARTON BOX
(INCLUDE THE UPPERMOST AND LOWERMOST TRAY)

| | | | | | | | | | |
|-----------------------|------------------|--|--|--|-------------------------------|--------|------------------------------|-----------|--|
| ORIGINATED BY BILL | DATE 08-26-05 | TITLE 2X4 Stacked MagJack® FOR 10/100 VOIP/POE 0833-2X4R-59-F | PART NO. / DRAWING NO. 08332X4R59-F | | STANDARD DIM. TOL. IN INCH | | [] METRIC DIM. AS REFERENCE | | bel COMPONENTS FOR A CONNECTED PLANET |
| | | | FILE NAME 08332X4R59-FA.DWG | | .X | | UNIT : INCH [mm] | REV. : A | |
| DRAWN BY SARAH | DATE 08-26-05 | | | | .XX | | SCALE : N/A | SIZE : A4 | PAGE : 6 |
| | | | | | .XXX | ±0.004 | ⊕ --- | | |