



ELECTRICAL CHARACTERISTICS @ 25°C

URNS RATIO

TP1	1CT : 1CT ±2%
TP2	1CT : 1CT ±2%
TP3	1CT : 1CT ±2%
TP4	1CT : 1CT ±2%

OCL @ 100kHz/100mVRMS

8mA DC BIAS                      350µH MIN.

INS. LOSS

0.1MHz TO 1MHz	-1.1 dB MAX
1MHz TO 65MHz	-0.5 dB MAX
65MHz TO 100MHz	-0.8 dB MAX
100MHz TO 125MHz	-1.2 dB MAX

RET. LOSS (MIN)

0.5MHz-40MHz	-18 dB
40MHz-100MHz	-12+20LOG(f/80MHz) dB

CM TO CM REJ

100kHz - 100MHz                      -30 dB MIN

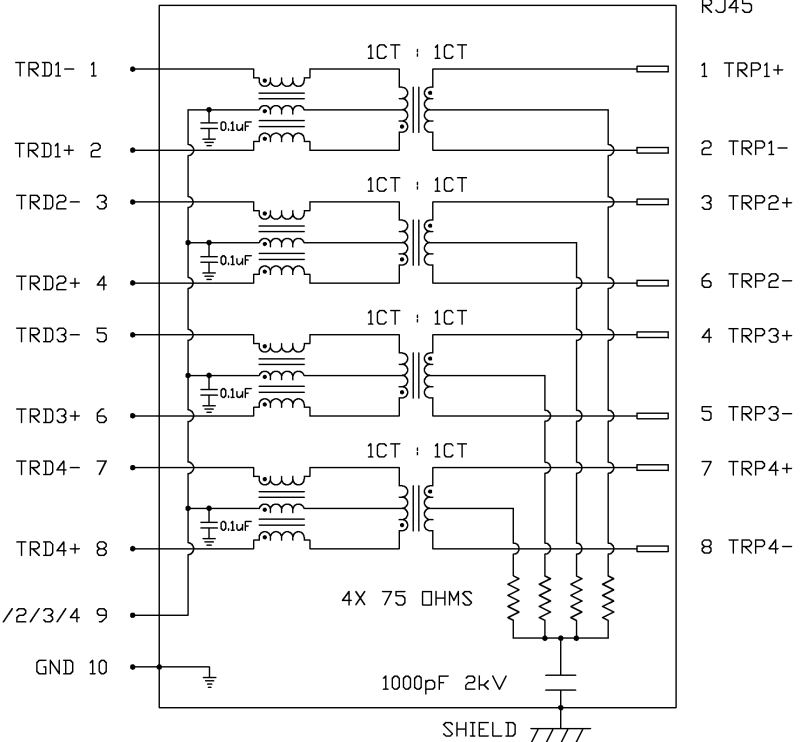
CM TO DM REJ

100kHz - 100MHz                      -35 dB MIN

HIPOT (Isolation Voltage):

1500 Vrms or 2250VDC

SCHEMATIC



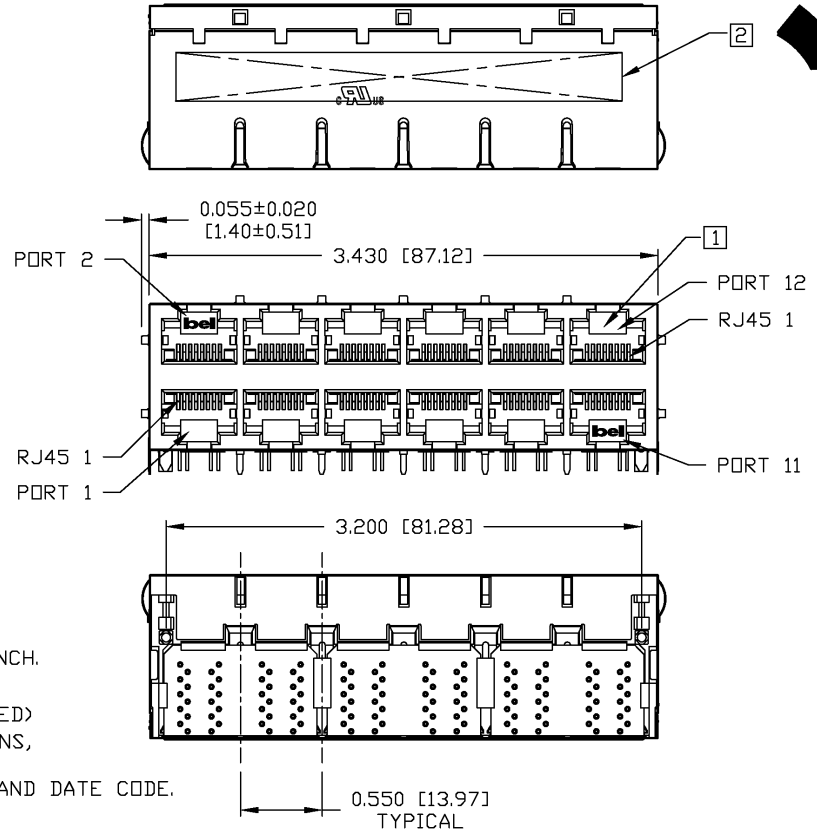
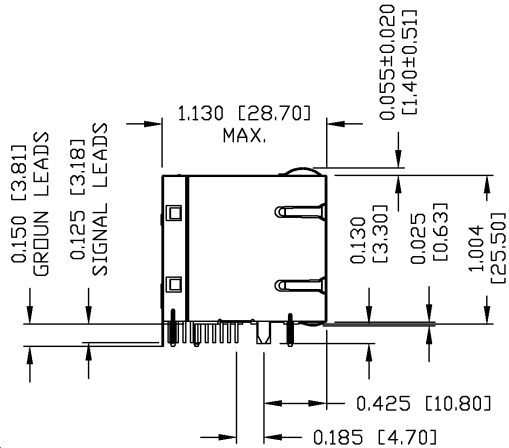
RJ45

ORIGINATED BY CHUNG	DATE 09-11-06	TITLE 2X6 gigabit MagJack® (8 Cores)	PART NO. / DRAWING NO. 08332X6R54-F	STANDARD DIM. TOL. IN INCH .X .XX .XXX	[ ] METRIC DIM. AS REFERENCE
					UNIT : INCH [mm]
DRAWN BY DE	DATE 09-11-06	0833-2X6R-54-F	FILE NAME 08332X6R54-FA.DWG		SCALE : N/A
					SIZE : A4



THE INFORMATION CONTAINED HEREIN IS CONSIDERED "PROPRIETARY" TO BEL FUSE INC. AND SHALL NOT BE COPIED, REPRODUCED OR DISCLOSED WITHOUT THE WRITTEN APPROVAL OF BEL FUSE INC.

RoHS  
2002/95/EC



**NOTES:**

- PLASTIC HOUSING: THERMOPLASTIC PBT  
FLAMMABILITY RATING UL 94V-0
- CONTACT PLATING: 50 MICRO-INCH HARD GOLD PLATING
- OUTPUT PINS: TIN-COATED COPPER WIRE, DIA 0.018 INCH.
- METAL SHIELD: NICKEL PLATED ON COPPER ALLOY.  
(ALL GROUND LEADS ARE SOLDER DIPPED)

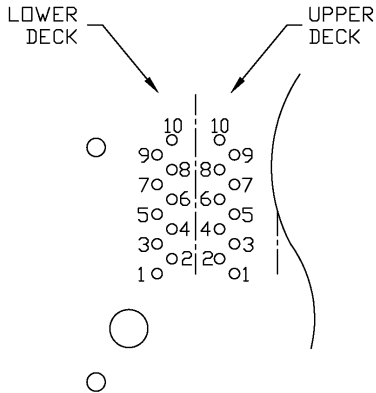
- ① JACK CAVITY CONFORMS TO FCC RULES AND REGULATIONS, PART 68 SUBPART F.
- ② MARK PART WITH MFG LOGO, MFG NAME, PART NUMBER, AND DATE CODE.

- UL RECOGNIZED - FILE #E196366 AND E169987.
- 3. RoHS COMPLIANCE, PER EU DIRECTIVE 2002/95/EC.

ORIGINATED BY QIN/BILL	DATE 09-11-06	TITLE 2X6 gigabit MagJack® (8 Cores) 0833-2X6R-54-F	PART NO. / DRAWING NO. 08332X6R54-F	STANDARD DIM. TOL. IN INCH	[ ] METRIC DIM. AS REFERENCE	
	DRAWN BY TING		DATE 09-11-06	FILE NAME 08332X6R54-FA.DWG	.X .XX .XXX	±0.010



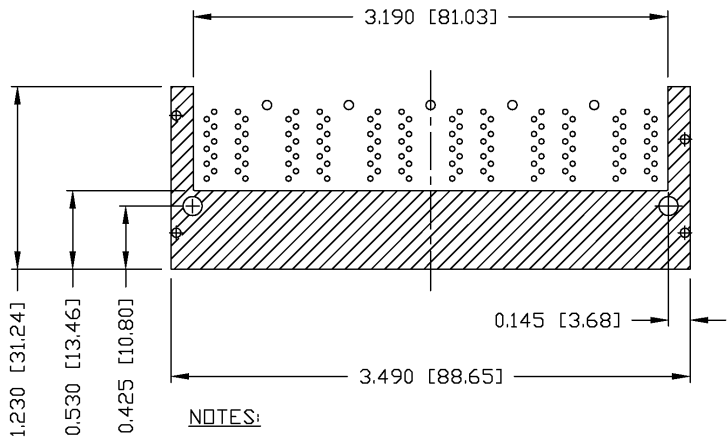
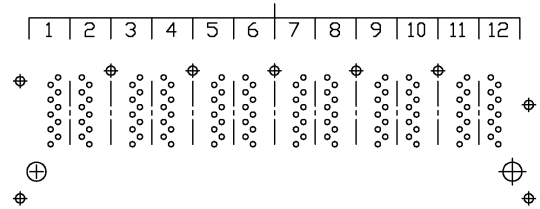
THE INFORMATION CONTAINED HEREIN IS CONSIDERED "PROPRIETARY" TO BEL FUSE INC. AND SHALL NOT BE COPIED, REPRODUCED OR DISCLOSED WITHOUT THE WRITTEN APPROVAL OF BEL FUSE INC.



PIN-OUT INFORMATION  
(COMPONENT SIDE VIEW)

10	GND
9	TRCT1/2/3/4
8	TRD 4+
7	TRD 4-
6	TRD 3+
5	TRD 3-
4	TRD 2+
3	TRD 2-
2	TRD 1+
1	TRD 1-

PORT ASSIGNMENT  
(COMPONENT SIDE VIEW)



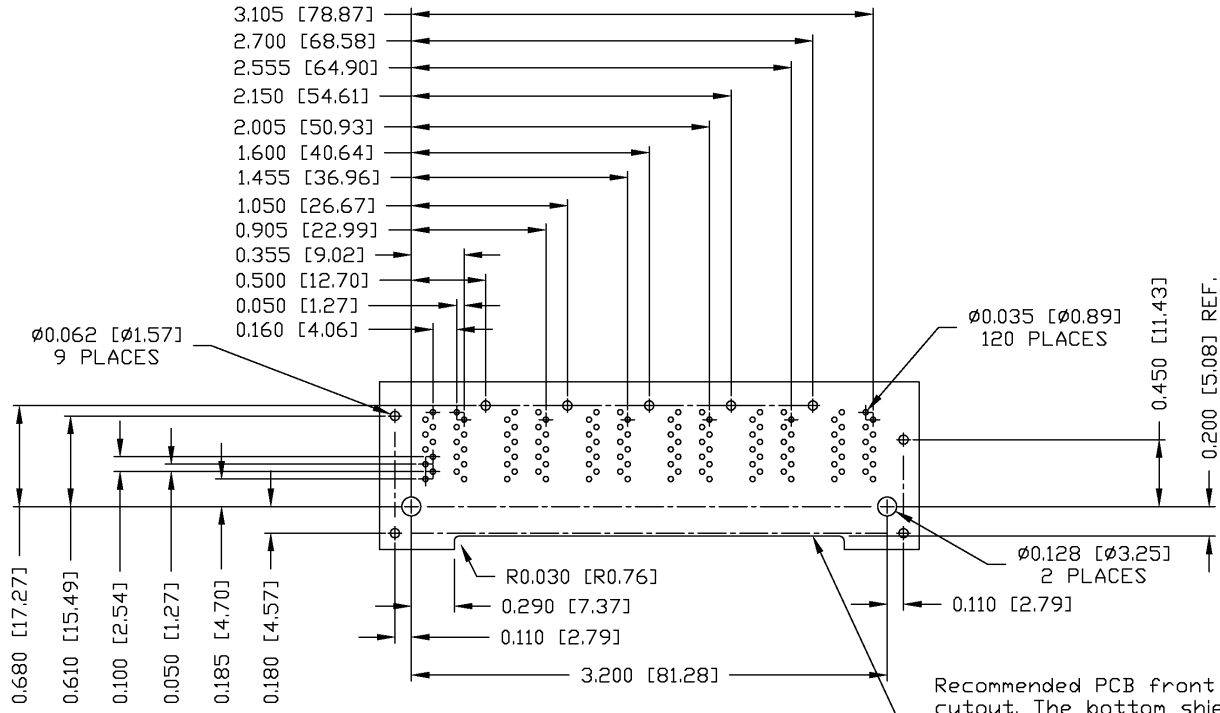
**NOTES:**  
THE SHADED AREA ON THE CUSTOMER BOARD ARE RECOMMENDED TO BE CLEAR OFF ANY VIA HOLE OR COMPONENT PAD.

ORIGINATED BY QIN/BILL	DATE 09-11-06	TITLE 2X6 gigabit MagJack® (8 Cores)	PART NO. / DRAWING NO. 08332X6R54-F	STANDARD DIM.		[ ] METRIC DIM. AS REFERENCE		
				TOL. IN INCH		UNIT : INCH [mm]	REV. : A	
DRAWN BY TING	DATE 09-11-06	TITLE 0833-2X6R-54-F	FILE NAME 08332X6R54-FA.DWG	.X	±0.004	SCALE : N/A	SIZE : A4	
				.XX				
				.XXX				PAGE : 4



THE INFORMATION CONTAINED HEREIN IS CONSIDERED "PROPRIETARY" TO BEL FUSE INC. AND SHALL NOT BE COPIED, REPRODUCED OR DISCLOSED WITHOUT THE WRITTEN APPROVAL OF BEL FUSE INC.

RoHS  
2002/95/EC



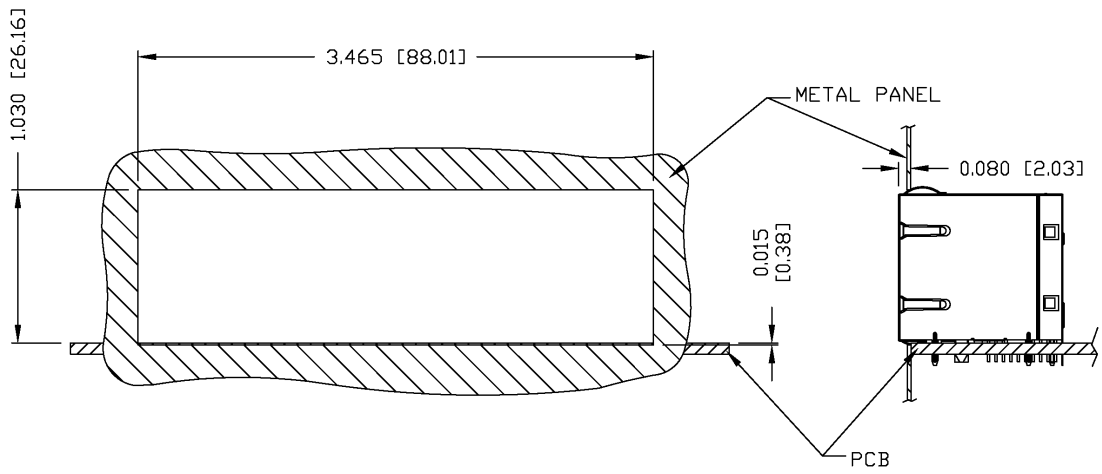
SUGGESTED FOOTPRINT  
(COMPONENT SIDE VIEW)

ORIGINATED BY QIN/BILL	DATE 09-11-06	TITLE 2X6 gigabit MagJack® (8 Cores)	PART NO. / DRAWING NO. 08332X6R54-F	STANDARD DIM. TOL. IN INCH	[ ] METRIC DIM. AS REFERENCE UNIT : INCH [mm]	REV. : A	 COMPONENTS ARE A CONNECTED PLANET
DRAWN BY TING	DATE 09-11-06	TITLE 0833-2X6R-54-F	FILE NAME 08332X6R54-FA.DWG	.X	SCALE : N/A	SIZE : A4	
				.XX		PAGE : 5	
				.XXX	±0.004		

THE INFORMATION CONTAINED HEREIN IS CONSIDERED "PROPRIETARY" TO BEL FUSE INC. AND SHALL NOT BE COPIED, REPRODUCED OR DISCLOSED WITHOUT THE WRITTEN APPROVAL OF BEL FUSE INC.



SUGGESTED PANEL OPENING



NOTE:

THE DISTANCE OF PANEL INSIDE SURFACE RELATIVE TO FRONT SURFACE OF PART IS ONLY A SUGGESTION. IN CASE THIS DISTANCE IS DIFFERENT, THE REQUIRED PANEL OPENING DIMENSIONS CHANGE ACCORDINGLY.

PACKING INFORMATION

PACKING TRAY : 0200-9999-A9 (TOP)  
0200-9999-A8 (BOTTOM)

PACKING QUANTITY : 15 PCS FINISHED GOODS PER TRAY  
7 TRAYS (105 PCS FINISHED GOODS) PER CARTON BOX

NOTE : CARDBOARDS ARE PLACED BETWEEN LAYERS OF PACKING TRAY INSIDE CARTON BOX  
(INCLUDE THE UPPERMOST AND LOWERMOST TRAY)

ORIGINATED BY QIN/BILL	DATE 09-11-06	TITLE 2X6 gigabit MagJack® (8 Cores) 0833-2X6R-54-F	PART NO. / DRAWING NO. 08332X6R54-F		STANDARD DIM. TOL. IN INCH		[ ] METRIC DIM. AS REFERENCE	
	DATE 09-11-06		FILE NAME 08332X6R54-FA.DWG	.X /	.XX /	.XXX ±0.004	UNIT : INCH [mm] SCALE : N/A	REV. : A SIZE : A4 PAGE : 6

