

RadHard-by-Design RHD5910 Quad Comparator High Speed

www.aeroflex.com/RHDseries

October 25, 2012



AEROFLEX
A passion for performance.

FEATURES

- Single power supply operation at 3.3V or 5.0V
- Radiation performance
 - Total dose: > 1 Mrad(Si); Dose rate = 50 - 300 rads(Si)/s
 - ELDRS Immune
 - SEL Immune > 100 MeV-cm²/mg
 - Neutron Displacement Damage > 10¹⁴ neutrons/cm²
- Short Circuit Tolerant
- Full military temperature range
- Designed for aerospace and high reliability space applications
- Packaging – Hermetic ceramic SOIC
 - 16-pin, .411"L x .293"W x .090"Ht
 - Weight - 0.8 grams max
- **Aeroflex Plainview's Radiation Hardness Assurance Plan is DLA Certified to MIL-PRF-38534, Appendix G.**

GENERAL DESCRIPTION

Aeroflex's RHD5910 is a radiation hardened, single supply, high speed, quad comparator in a 16-pin SOIC package. The RHD5910 design uses specific circuit topology and layout methods to mitigate total ionizing dose effects and single event latchup. These characteristics make the RHD5910 especially suited for the harsh environment encountered in Deep Space missions. It is guaranteed operational from -55°C to +125°C. Available screened in accordance with MIL-PRF-38534 Class K, the RHD5910 is ideal for demanding military and space applications.

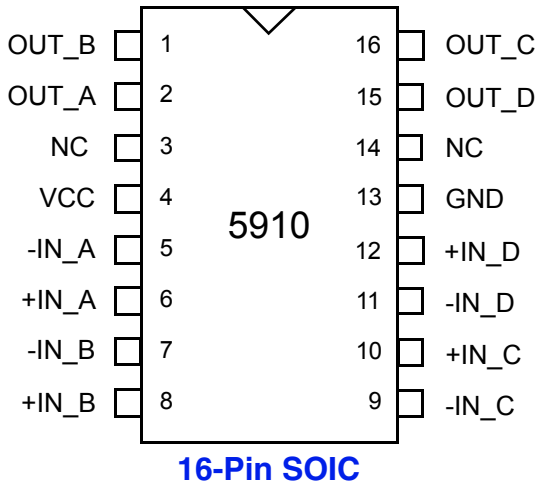
ORGANIZATION AND APPLICATION

The RHD5910 quad comparator is intended for operation with dynamic signals on either or both inputs. Comparison is 'continuous', that is, the circuit functions as high gain open loop amplifiers with a digital output. For slow input signals with small input differences the comparators can be expected to respond to small noise signals at the inputs. Feedback hysteresis is the responsibility of the user to avoid 'chattering' on system noise.

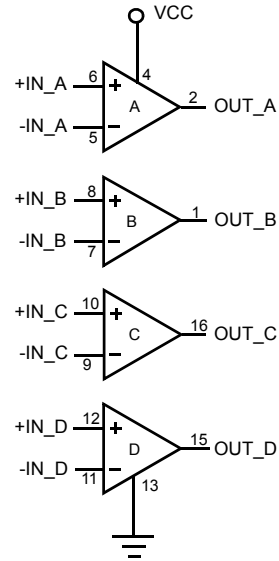
The comparator will accept signals anywhere in the included power supply range. The circuit delay is specified for a half-volt single ended or differential input step of either polarity ending in an input polarity reversal of 10mV. See Switching Diagrams.

CMOS device drive has a negative temperature coefficient and the devices are therefore inherently tolerant to momentary shorts, although on chip thermal shutdown is not provided. All inputs and outputs are diode protected.

The devices will not latch with SEU events above 100 Mev-cm²/mg. Total dose degradation is minimal to above 1 Mrad(Si). Displacement damage environments to neutron fluence equivalents in the mid 10¹⁴ neutrons per cm² range are readily tolerated. There is no sensitivity to low-dose rate (ELDRS) effects. SEU effects are application dependant.



PACKAGE PINOUTS



BLOCK DIAGRAM

Notes:

1. Package and lid are electrically isolated from signal pads.
2. It is recommended that NC or no connect pins (pins 3 and 14) and lid be grounded. This eliminates or minimizes any ESD or static buildup.

Pin #s	Signal	Definitions
1	OUT_B	Output of Comparator B.
2	OUT_A	Output of Comparator A.
3	NC	It is recommended tying this pin to ground
4	VCC	DC Supply Voltage
5	-IN_A	Inverting Input to Comparator A
6	+IN_A	Non-Inverting Input to Comparator A
7	-IN_B	Inverting Input to Comparator B
8	+IN_B	Non-Inverting Input to Comparator B
9	-IN_C	Inverting Input to Comparator C
10	+IN_C	Non-Inverting Input to Comparator C
11	-IN_D	Inverting Input to Comparator D
12	+IN_D	Non-Inverting Input to Comparator D
13	GND	DC Supply Return
14	NC	It is recommended tying this pin to ground
15	OUT_D	Output of Comparator D.
16	OUT_C	Output of Comparator C.

PIN DESCRIPTIONS

ABSOLUTE MAXIMUM RATINGS

Parameter	Rating	Units
Case Operating Temperature Range	-55 to +125	°C
Storage Temperature Range	-65 to +150	°C
Junction Temperature	+150	°C
Supply Voltage +VCC	+6.0	V
Input Voltage	VCC +0.4 GND -0.4	V V
Lead Temperature (soldering, 10 seconds)	300	°C
ESD (MIL-STD-883, Method 3015, Class 2)	2,000 to 3,999	V
Power @ 25°C	250	mW

NOTICE: Stresses above those listed under "Absolute Maximum Ratings" may cause permanent damage to the device. These are stress rating only; functional operation beyond the "Operation Conditions" is not recommended and extended exposure beyond the "Operation Conditions" may affect device reliability.

RECOMMENDED OPERATING CONDITIONS

Symbol	Parameter	Typical	Units
+VCC	Power Supply Voltage	3.3 to 5.0	V
VCM	Input Common Mode Range	VCC to GND	V

ELECTRICAL PERFORMANCE CHARACTERISTICS

(Tc = -55°C TO +125°C, +VCC = +5.0V -- UNLESS OTHERWISE SPECIFIED)

Parameter	Symbol	Conditions	Min	Max	Units
Quiescent Supply Current <u>1/</u>	ICCQ			15	mA
Input Offset Voltage <u>1/</u>	VOS		-25	25	mV
Input Offset Current	IOS		-500	500	pA
Input Bias Current	IB		-1	1	nA
Input Offset TempCo <u>2/</u>	VIOST			10	µV/C
Common Mode Rejection Ratio <u>1/ 2/</u>	CMRR		40		dB
Power Supply Rejection Ratio <u>1/ 2/</u>	PSRR		40		dB
Output Voltage High <u>1/</u>	VOH	RLOAD = 2 KΩ	4.9		V
Output Voltage Low <u>1/</u>	VOL	RLOAD = 2 KΩ		0.1	V
Gain <u>2/</u>	A		30		dB

Notes:

1/ Specification derated to reflect Total Dose exposure to 1 Mrad(Si) @ 25°C.

2/ Not tested. Shall be guaranteed by design, characterization or correlation to other test parameters.

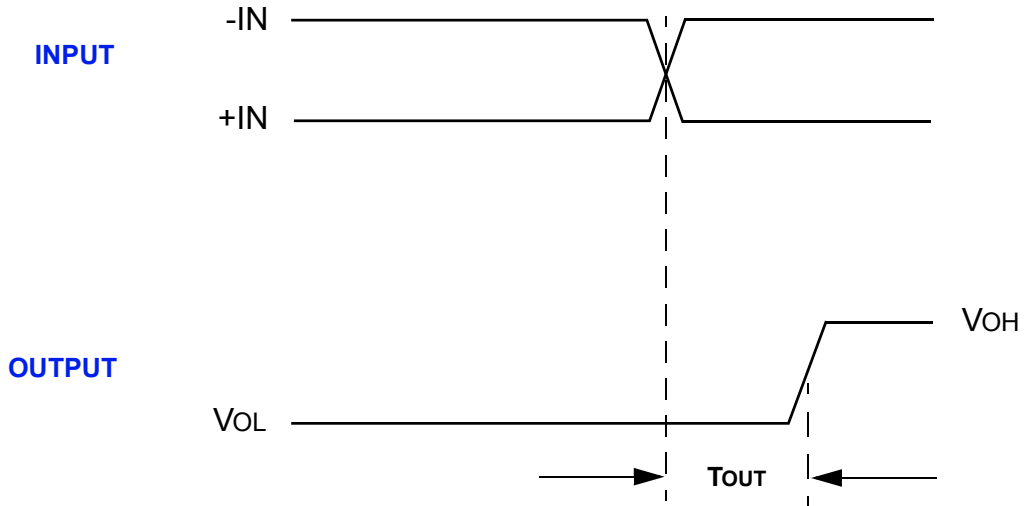
SWITCHING CHARACTERISTICS

(Tc = -55°C TO +125°C, +VCC = +5.0V -- UNLESS OTHERWISE SPECIFIED)

Parameter	Symbol	Conditions	Min	Max	Units
Output Delay	TOUT	RLOAD = 2 KΩ ^{1/}		200	ns

Note:

^{1/} The circuit delay is specified for a half-volt single ended or differential input step, of either polarity, ending in an input polarity reversal of 10mV.



SWITCHING DIAGRAM

APPLICATION NOTE 1

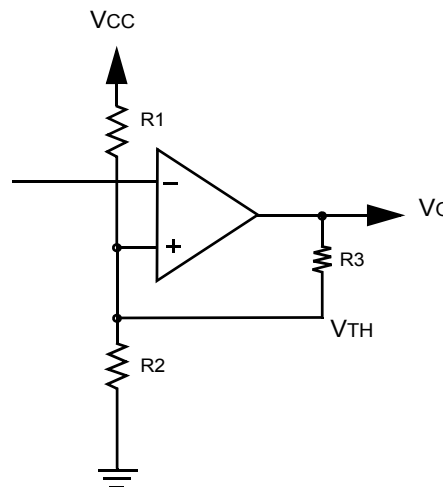
Comparator with Hysteresis

Threshold Voltage

$$V_{TH} = V_{CC} \frac{R2}{R1 + R2}$$

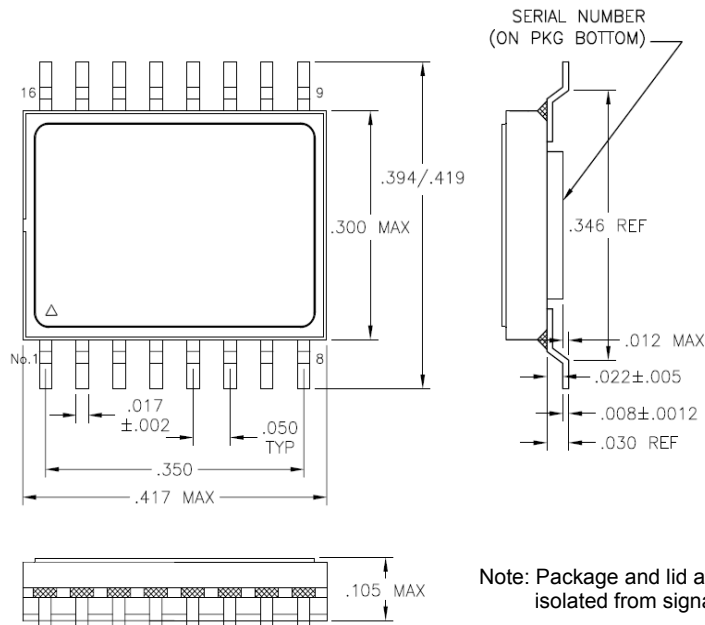
Hysteresis Calculation

$$HYS = V_O \frac{R2}{R2 + R3}$$



ORDERING INFORMATION

Model	DLA SMD #	Screening	Package
RHD5910-7	-	Commercial Flow, +25°C testing only	16-pin SOIC
RHD5910-S	-	Military Temperature, -55°C to +125°C Screened in accordance with the individual Test Methods of MIL-STD-883 for Space Applications	
RHD5910-201-1S	5962-1024201KXC	DLA SMD Pending	
RHD5910-201-2S	5962-1024201KXA		
RHD5910-901-1S	5962H1024201KXC	DLA SMD and Radiation Certification Pending	
RHD5910-901-2S	5962H1024201KXA		



PACKAGE OUTLINE

EXPORT CONTROL:

This product is controlled for export under the International Traffic in Arms Regulations (ITAR). A license from the U.S. Department of State is required prior to the export of this product from the United States.

EXPORT WARNING:

Aeroflex's military and space products are controlled for export under the International Traffic in Arms Regulations (ITAR) and may not be sold or proposed or offered for sale to certain countries. (See ITAR 126.1 for complete information.)

PLAINVIEW, NEW YORK
Toll Free: 800-THE-1553
Fax: 516-694-6715

INTERNATIONAL
Tel: 805-778-9229
Fax: 805-778-1980

NORTHEAST
Tel: 603-888-3975
Fax: 603-888-4585

SE AND MID-ATLANTIC
Tel: 321-951-4164
Fax: 321-951-4254

WEST COAST
Tel: 949-362-2260
Fax: 949-362-2266

CENTRAL
Tel: 719-594-8017
Fax: 719-594-8468

www.aeroflex.com info-ams@eroflex.com



Aeroflex Microelectronic Solutions reserves the right to change at any time without notice the specifications, design, function, or form of its products described herein. All parameters must be validated for each customer's application by engineering. No liability is assumed as a result of use of this product. No patent licenses are implied.



Our passion for performance is defined by three attributes represented by these three icons: solution-minded, performance-driven and customer-focused