

Standard Products

MUX8530 16-Channel Analog Multiplexer Module Radiation Tolerant & ESD Protected

www.aeroflex.com/mux

May 17, 2011



FEATURES

- 16 Channels provided by one multiplexer
- Radiation performance
 - Total dose: 150 krad(Si), Dose rate = 50 - 300 rads(Si)/s
 - SEU: Immune up to 90 MeV-cm²/mg
 - SEL: Immune by process design
- Full military temperature range
- Low power consumption < 15mW
- One address bus (A0-3), and one enable line
- All channel Inputs protected by $\pm 20V$ nominal transorbs
- Fast access time < 500ns typical
- Break-Before-Make switching
- High analog input impedance (power on or off)
- Designed for aerospace and high reliability space applications
- Packaging – Hermetic ceramic
 - 56 leads, 0.80" Sq x 0.20"Ht quad flat pack
 - Typical Weight 6 grams

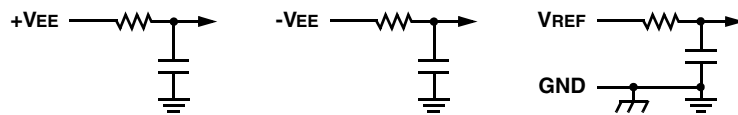
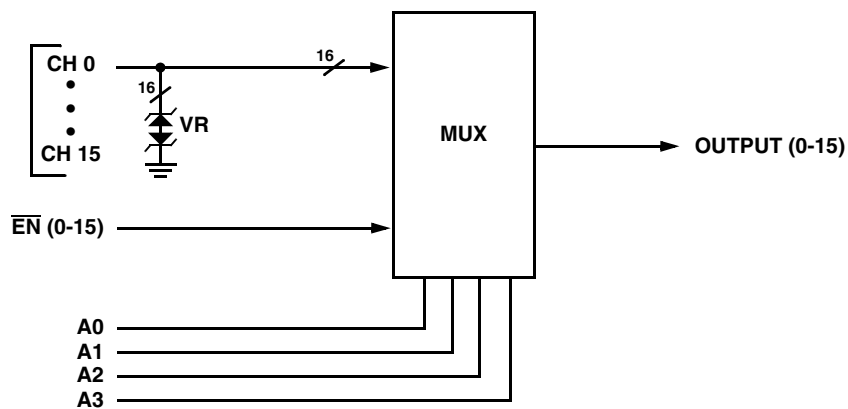
GENERAL DESCRIPTION

Aeroflex's MUX8530 is a radiation tolerant, 16 channel multiplexer MCM (Multi Chip Module) with electrostatic discharge (ESD) protection on all channel inputs.

The MUX8530 has been specifically designed to meet exposure to radiation environments. It is available in a 56 lead High Temperature Co-Fired Ceramic (HTCC) Quad Flatpack (CQFP). It is guaranteed operational from -55°C to +125°C. Available screened in accordance with MIL-PRF-38534, the MUX8530 is ideal for demanding military and space applications.

ORGANIZATION AND APPLICATION

The MUX8530 consists of one 16 channel multiplexer arranged as shown in the block diagram, addressable by bus A₀~A₃ including enable which connects the addressed channel to a single output.



MUX530: 16 CHANNEL ANALOG MUX BLOCK DIAGRAM

ABSOLUTE MAXIMUM RATINGS ^{1/}

Parameter	Range	Units
Case Operating Temperature Range	-55 to +125	°C
Storage Temperature Range	-65 to +150	°C
Supply Voltage +V _{EE} (Pin 18) -V _{EE} (Pin 46) V _{REF} (Pin 39)	+20 -20 +7.5	V V V
Digital Input Overvoltage V _{EN} (Pin 13), V _A (Pins 14, 15, 16, 17)	< V _{REF} +.5 > GND -.5	V V
Analog Input Over Voltage V _{IN}	±18V	V

Notes:

^{1/} All measurements are made with respect to ground.

NOTICE: Stresses above those listed under "Absolute Maximums Rating" may cause permanent damage to the device. These are stress rating only; functional operation beyond the "Operation Conditions" is not recommended and extended exposure beyond the "Operation Conditions" may affect device reliability.

RECOMMENDED OPERATING CONDITIONS ^{1/}

Symbol	Parameter	Typical	Units
+V _{EE}	+15V Power Supply Voltage	+15.0	V
-V _{EE}	-15V Power Supply Voltage	-15.0	V
V _{REF}	Reference Voltage	+5.00	V
V _{AL}	Logic Low Level	+0.8	V
V _{AH}	Logic High Level	+4.0	V

^{1/} Power Supply turn-on sequence shall be as follows: -V_{EE}, V_{REF}, followed by +V_{EE}.

DC ELECTRICAL PERFORMANCE CHARACTERISTICS ^{1/}

(T_C = -55°C TO +125°C, -V_{EE} = -15V, V_{REF} = +5.0V, +V_{EE} = +15V -- UNLESS OTHERWISE SPECIFIED)

Parameter	Symbol	Conditions	Min	Max	Units
Supply Current	+I _{EE}	V _{EN} (0-15) = V _A (0-3) = 0	0	0.5	mA
	-I _{EE}	V _{EN} (0-15) = V _A (0-3) = 0	-0.5	0	mA
	+I _{SBY}	V _{EN} (0-15) = 4V, V _A (0-3) = 0 ^{2/}	0	0.5	mA
	-I _{SBY}	V _{EN} (0-15) = 4V, V _A (0-3) = 0 ^{2/}	-0.5	0	mA
Address Input Current	I _{AL} (0-3)A	V _A = 0V	-1	1	μA
	I _{AH} (0-3)A	V _A = 5V	-1	1	μA
Enable Input Current	I _{ENL} (0-15)	V _{EN} (0-15) = 0V	-1	1	μA
	I _{ENH} (0-15)	V _{EN} (0-15) = 5V	-1	1	μA

DC ELECTRICAL PERFORMANCE CHARACTERISTICS 1/ (continued)

(TC = -55°C TO +125°C, -V_{EE} = -15V, V_{REF} = +5.0V, +V_{EE} = +15V -- UNLESS OTHERWISE SPECIFIED)

Parameter	Symbol	Conditions	Min	Max	Units	
Positive Input Leakage Current (CH0-CH15)	+ISOFFOUTPUT(ALL)	V _{IN} = +10V, V _{EN} = 4V, output and all unused MUX inputs under test = -10V 2/, 3/	-100	+1000	nA	
Negative Input Leakage Current (CH0-CH15)	-ISOFFOUTPUT(ALL)	V _{IN} = -10V, V _{EN} = 4V, output and all unused MUX inputs under test = +10V 2/, 3/	-100	+1000	nA	
Positive Output Leakage Current OUTPUT (pin 12)	+IDOFFOUTPUT(ALL)	V _{OUT} = +10V, V _{EN} = 4V, output and all unused MUX inputs under test = -10V 3/, 4/	-100	+100	nA	
Negative Output Leakage Current OUTPUT (pin 12)	-IDOFFOUTPUT(ALL)	V _{OUT} = -10V, V _{EN} = 4V, output and all unused MUX inputs under test = +10V 3/, 4/	-100	+100	nA	
Input Clamped Voltage (CH0-CH15)	+VCLMP	V _{EN} = 4V, all unused MUX inputs under test are open. 3/	+25°C	18.0	23.0	V
			+125°C	18.0	23.5	V
Input Clamped Voltage (CH0-CH15)	-VCLMP	V _{EN} = 4V, all unused MUX inputs under test are open. 3/	-55°C	17.5	22.5	V
			+25°C	-23.0	-18.0	V
Switch ON Resistance OUTPUT (pin 12) 6/	RDS(ON)(0-15) _A	V _{IN} = +15V, V _{EN} = 0.8V, I _{OUT} = -1mA 2/, 3/, 5/	200	1000	Ω	
	RDS(ON)(0-15) _B	V _{IN} = +5V, V _{EN} = 0.8V, I _{OUT} = -1mA 2/, 3/, 5/	200	1500	Ω	
	RDS(ON)(0-15) _C	V _{IN} = -5V, V _{EN} = 0.8V, I _{OUT} = +1mA 2/, 3/, 5/	200	2500	Ω	

Notes:

- 1/ Measure inputs sequentially. Ground all unused inputs of the device under test. V_A is the applied input voltage to the address lines A(0-3).
- 2/ V_{IN} is the applied input voltage to the input channels (CH0-CH15).
- 3/ V_{EN} is the applied input voltage to the enable lines \overline{EN} (0-15).
- 4/ V_{OUT} is the applied input voltage to the output lines OUTPUT(0-15).
- 5/ Negative current is the current flowing out of each of the MUX pins. Positive current is the current flowing into each MUX pin.
- 6/ The MUX8530 cannot be operated with analog inputs from -15 to -5 volts.
- 7/ Not tested, guaranteed to the specified limits.

SWITCHING CHARACTERISTICS

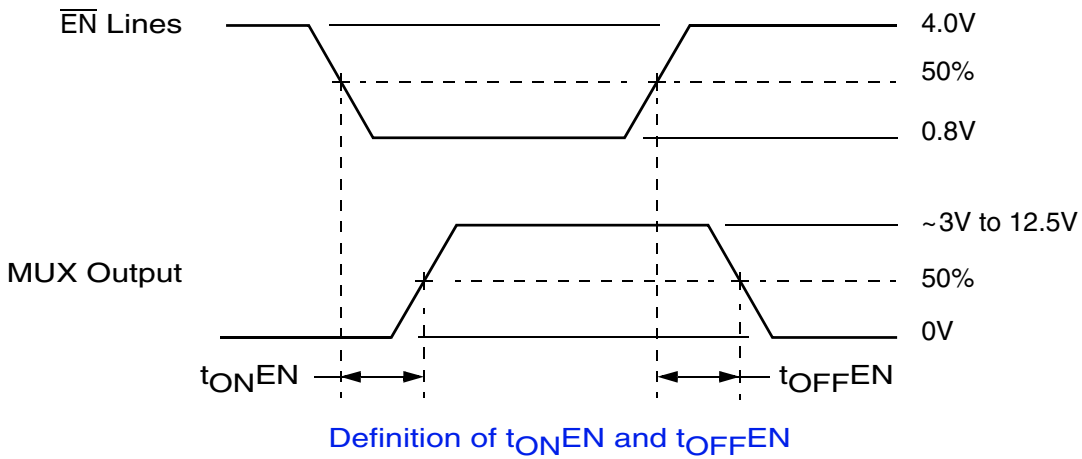
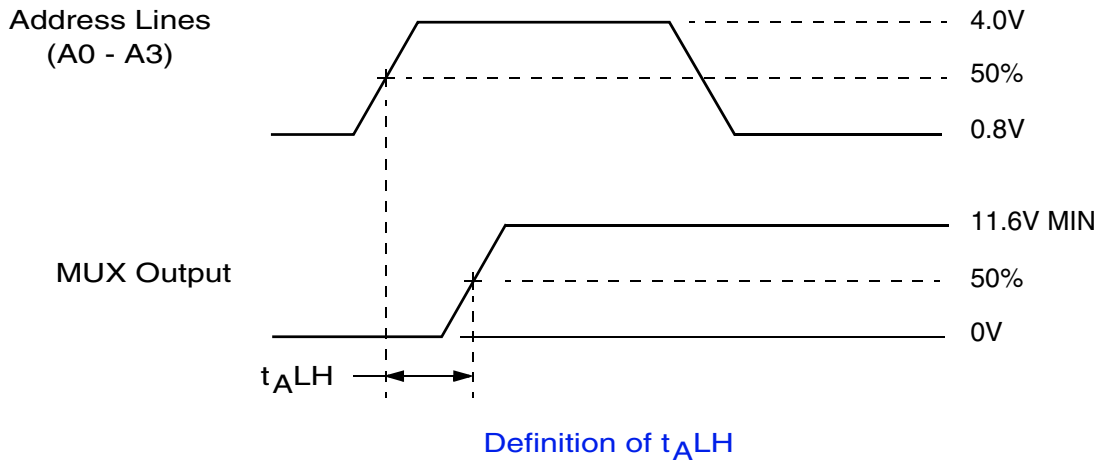
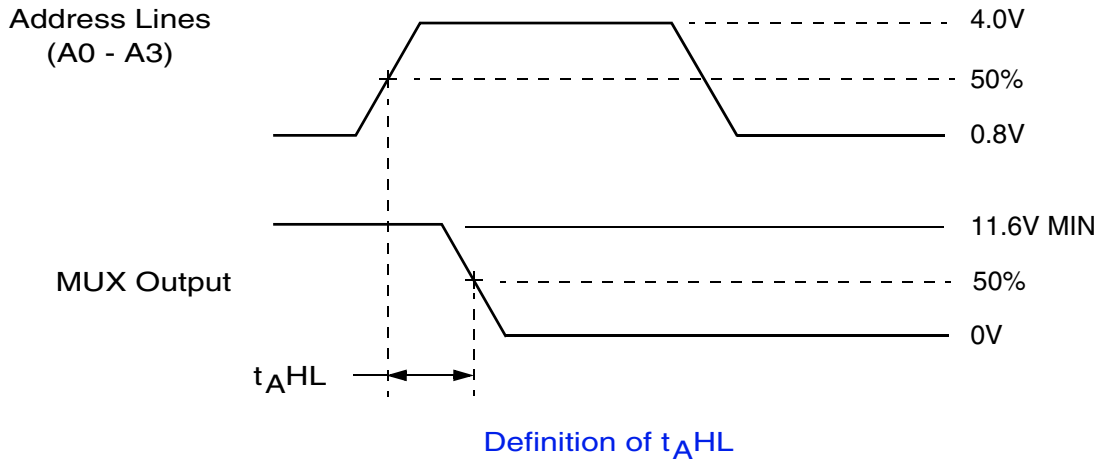
(TC = -55°C TO +125°C, -V_{EE} = -15V, V_{REF} = +5.0V, +V_{EE} = +15V -- UNLESS OTHERWISE SPECIFIED)

Parameter	Symbol	Conditions	Min	Max	Units
Switching Test MUX	t _{AHL}	R _L = 10KΩ, C _L = 50pF	10	1000	ns
	t _{ALH}		10	1000	ns
	t _{ONEN}	R _L = 1KΩ, C _L = 50pF	10	1000	ns
	t _{OFFEN}		10	1000	ns

TRUTH TABLE (CH0–CH15)

A3	A2	A1	A0	$\overline{\text{EN}}(0-15)$	"ON" CHANNEL <u>1/</u>
X	X	X	X	H	NONE
L	L	L	L	L	CH0
L	L	L	H	L	CH1
L	L	H	L	L	CH2
L	L	H	H	L	CH3
L	H	L	L	L	CH4
L	H	L	H	L	CH5
L	H	H	L	L	CH6
L	H	H	H	L	CH7
H	L	L	L	L	CH8
H	L	L	H	L	CH9
H	L	H	L	L	CH10
H	L	H	H	L	CH11
H	H	L	L	L	CH12
H	H	L	H	L	CH13
H	H	H	L	L	CH14
H	H	H	H	L	CH15

1/ Between (CH0-CH15) and OUTPUT (0-15)



NOTE: $f = 10\text{KHz}$, Duty cycle = 50%.

MUX8530 SWITCHING DIAGRAMS

PIN NUMBERS & FUNCTIONS

MUX8530 – 56 Leads Ceramic QUAD Flat Pack			
Pin #	Function	Pin #	Function
1	CH0	29	NC
2	CH1	30	NC
3	CH2	31	NC
4	CH3	32	NC
5	CH4	33	NC
6	CH5	34	NC
7	GND	35	GND
8	GND	36	GND
9	CH6	37	NC
10	CH7	38	NC
11	CASE GND	39	VREF
12	OUTPUT (0-15)	40	NC
13	\overline{EN} (0-15)	41	NC
14	A0	42	NC
15	A1	43	NC
16	A2	44	NC
17	A3	45	NC
18	+VEE	46	-VEE
19	CH15	47	NC
20	CH14	48	NC
21	GND	49	GND
22	GND	50	GND
23	CH13	51	NC
24	CH12	52	NC
25	CH11	53	NC
26	CH10	54	NC
27	CH9	55	NC
28	CH8	56	NC

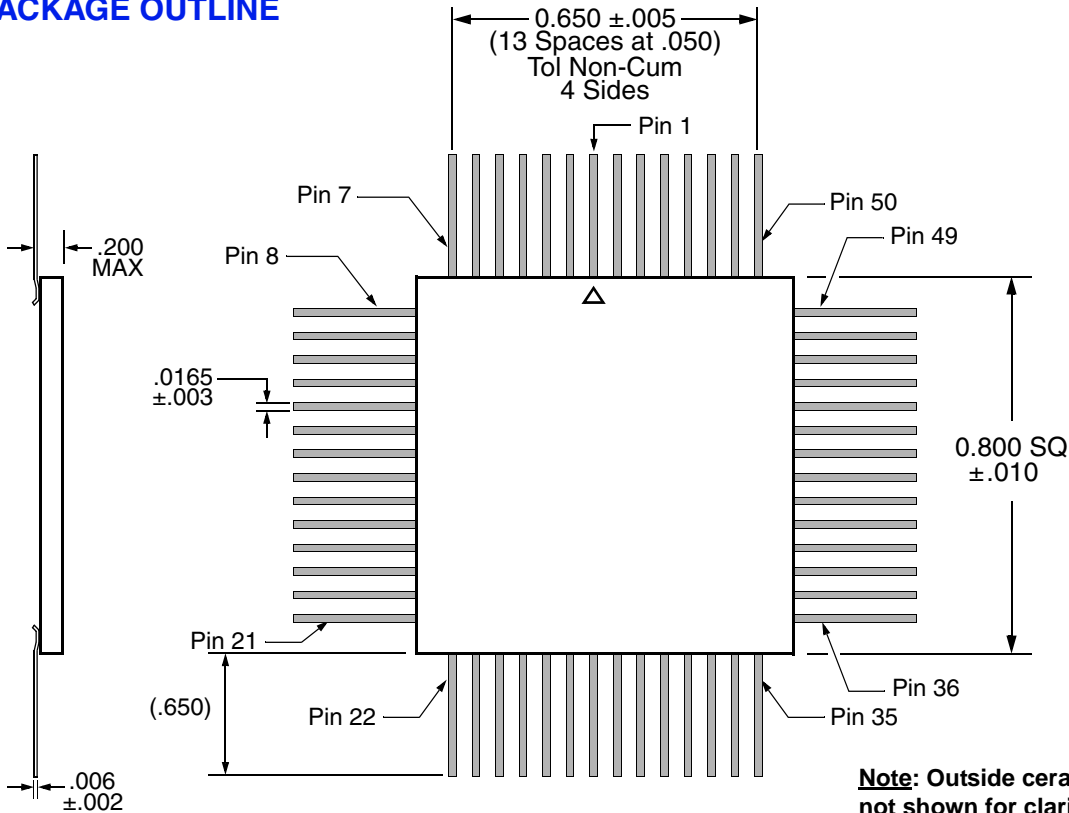
Notes:

1. It is recommended that all "NC" or "no connect pin", be grounded. This eliminates or minimizes any ESD or static buildup.
2. Package lid is internally connected to circuit ground (Pins 7, 8, 11, 21, 22, 35, 36, 49, 50).

ORDERING INFORMATION

Model	DSCC SMD #	Screening	Package
MUX8530-7	-	Commercial Flow, +25°C testing only	QUAD Flat Pack
MUX8530-S	-	Military Temperature, -55°C to +125°C Screened in accordance with the individual Test Methods of MIL-STD-883 for Space Applications	
MUX8530-201-1S	5962-0923001KXC	In accordance with DSCC SMD	

PACKAGE OUTLINE



Note: Outside ceramic tie bars not shown for clarity. Contact factory for details.

EXPORT CONTROL:

This product is controlled for export under the International Traffic in Arms Regulations (ITAR). A license from the U.S. Department of State is required prior to the export of this product from the United States.

EXPORT WARNING:

Aeroflex's military and space products are controlled for export under the International Traffic in Arms Regulations (ITAR) and may not be sold or proposed or offered for sale to certain countries. (See ITAR 126.1 for complete information.)

PLAINVIEW, NEW YORK
Toll Free: 800-THE-1553
Fax: 516-694-6715

INTERNATIONAL
Tel: 805-778-9229
Fax: 805-778-1980

NORTHEAST
Tel: 603-888-3975
Fax: 603-888-4585

SE AND MID-ATLANTIC
Tel: 321-951-4164
Fax: 321-951-4254

WEST COAST
Tel: 949-362-2260
Fax: 949-362-2266

CENTRAL
Tel: 719-594-8017
Fax: 719-594-8468

www.aeroflex.com info-ams@eroflex.com



Aeroflex Microelectronic Solutions reserves the right to change at any time without notice the specifications, design, function, or form of its products described herein. All parameters must be validated for each customer's application by engineering. No liability is assumed as a result of use of this product. No patent licenses are implied.



Our passion for performance is defined by three attributes represented by these three icons: solution-minded, performance-driven and customer-focused