

# ACT8511 64-Channel Analog Multiplexer Module Radiation Tolerant & ESD Protected

[www.aeroflex.com/mux](http://www.aeroflex.com/mux)

November 14, 2008



## FEATURES

- 64-channels provided by four 16-channel multiplexers
- Radiation performance
  - Total dose: 150 krad(Si), Dose rate = 50 - 300 rads(Si)/s
  - SEU: Immune up to 90 MeV-cm<sup>2</sup>/mg
  - SEL: Immune by process design
- Full military temperature range
- Low power consumption < 60mW
- Two address busses (A0-3 & B0-3) and four enable lines afford flexible organization
- All channel inputs are protected by ±20V nominal Transorbs
- Fast access time < 500ns typical
- Break-Before-Make switching
- High analog input impedance (power on or off)
- Designed for aerospace and high reliability space applications
- Packaging – Hermetic ceramic
  - 96 leads, 1.32" Sq x 0.20" Ht quad flat pack
  - Typical Weight 15 grams
- DSCC SMD 5962-09202 pending

*Note: Aeroflex Plainview does not currently have a DSCC certified Radiation Hardened Assurance Program.*

## GENERAL DESCRIPTION

Aeroflex's ACT8511 is a radiation tolerant, 64 channel multiplexer MCM (multi-chip module) with electrostatic discharge (ESD) protection on all channel inputs.

The ACT8511 has been specifically designed to meet exposure to radiation environments. It is available in a 96 lead High Temperature Co-Fired Ceramic (HTCC) Quad Flatpack (CQFP). It is guaranteed operational from -55°C to +125°C. Available screened in accordance with MIL-PRF-38534, the ACT8511 is ideal for demanding military and space applications.

## ORGANIZATION AND APPLICATION

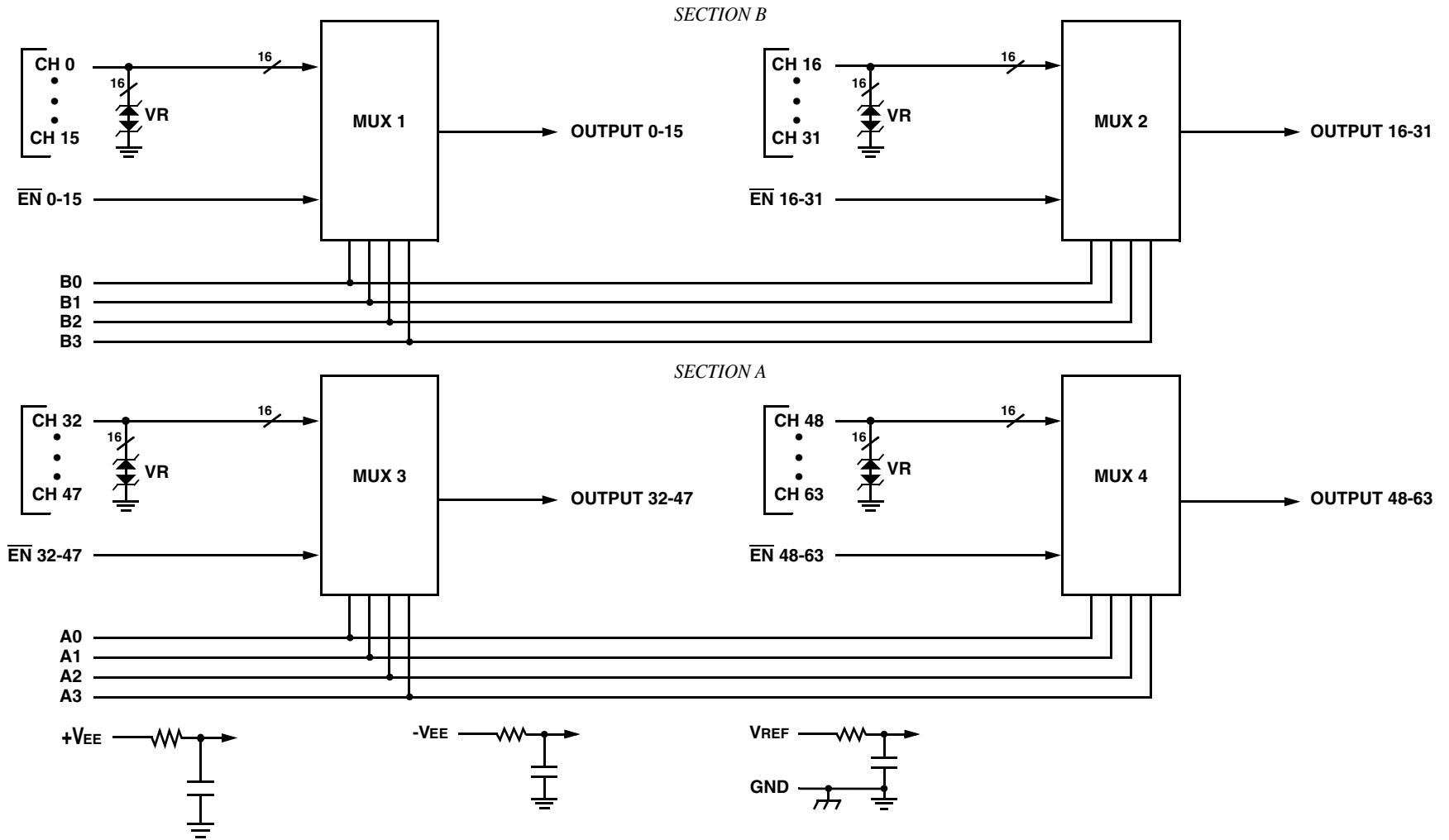
The ACT8511 consists of four 16 channel multiplexers arranged as shown in the Block Diagram. The ACT8511 design is inherently radiation tolerant.

### A SECTION

Thirty-two (32) channels addressable by bus A<sub>0</sub>~A<sub>3</sub>, in two 16 channel blocks, each block enabled separately.

### B SECTION

Thirty-two (32) channels addressable by bus B<sub>0</sub>~B<sub>3</sub>, in two 16 channel blocks, each block enabled separately.



ACT8511 64-CHANNEL ANALOG MUX BLOCK DIAGRAM

## ABSOLUTE MAXIMUM RATINGS <sup>1/</sup>

Parameter	Range	Units
Case Operating Temperature Range	-55 to +125	°C
Storage Temperature Range	-65 to +150	°C
Supply Voltage +VEE (Pin 44) -VEE (Pin 46) VREF (Pin 48)	+20 -20 +7.5	V V V
Digital Input Overvoltage VEN (Pins 5, 6, 91, 92), VA (Pins 1, 3, 93, 95), VB (Pins 2, 4, 94, 96)	< VREF +0.5 > GND -0.5	V V
Analog Input Over Voltage Vs	±18V	V

Notes:

<sup>1/</sup> All measurements are made with respect to ground.

NOTICE: Stresses above those listed under "Absolute Maximum Ratings" may cause permanent damage to the device. These are stress rating only; functional operation beyond the "Operation Conditions" is not recommended and extended exposure beyond the "Operation Conditions" may affect device reliability.

## RECOMMENDED OPERATING CONDITIONS <sup>1/</sup>

Symbol	Parameter	Typical	Units
+VEE	+15V Power Supply Voltage	+15.0	V
-VEE	-15V Power Supply Voltage	-15.0	V
VREF	Reference Voltage	+5.00	V
VAL	Logic Low Level	+0.8	V
VAH	Logic High Level	+4.0	V

Notes:

<sup>1/</sup> Power Supply turn-on sequence shall be as follows: -VEE, VREF, followed by +VEE.

## DC ELECTRICAL PERFORMANCE CHARACTERISTICS <sup>1/</sup>

(T<sub>c</sub> = -55°C to +125°C, -VEE = -15V, VREF = +5.0V, +VEE = +15V - Unless otherwise specified)

Parameter	Symbol	Conditions	Min	Max	Units
Supply Current	+IEE	VEN(0-63) = VA(0-3)A = VA(0-3)B = 0	0	2	mA
	-IEE		-2	0	mA
	+ISBY	VEN(0-63) = 4V, VA(0-3)A = VA(0-3)B = 0 <sup>1/</sup>	0	2	mA
	-ISBY		-2	0	mA
Address Input Current	I <sub>AL</sub> (0-3)A	VA = 0V	-2	2	μA
	I <sub>AH</sub> (0-3)A	VA = 5V	-2	2	μA
	I <sub>AL</sub> (0-3)B	VB = 0V	-2	2	μA
	I <sub>AH</sub> (0-3)B	VB = 5V	-2	2	μA
Enable Input Current	I <sub>ENL</sub> (0-15)	VEN(0-15) = 0V	-1	1	μA
	I <sub>ENH</sub> (0-15)	VEN(0-15) = 5V	-1	1	μA
	I <sub>ENL</sub> (16-31)	VEN(16-31) = 0V	-1	1	μA
	I <sub>ENH</sub> (16-31)	VEN(16-31) = 5V	-1	1	μA
	I <sub>ENL</sub> (32-47)	VEN(32-47) = 0V	-1	1	μA
	I <sub>ENH</sub> (32-47)	VEN(32-47) = 5V	-1	1	μA
	I <sub>ENL</sub> (48-63)	VEN(48-63) = 0V	-1	1	μA
	I <sub>ENH</sub> (48-63)	VEN(48-63) = 5V	-1	1	μA

## DC ELECTRICAL PERFORMANCE CHARACTERISTICS 1/ (continued)

(T<sub>c</sub> = -55°C to +125°C, -V<sub>EE</sub> = -15V, V<sub>REF</sub> = +5.0V, +V<sub>EE</sub> = +15V - Unless otherwise specified)

Parameter	Symbol	Conditions	Min	Max	Units	
Positive Input Leakage Current CH0-CH63	+ISOFFOUTPUT	V <sub>IN</sub> = +10V, V <sub>EN</sub> = 4V, output and all unused MUX inputs under test = -10V 2/, 3/	-100	+1000	nA	
Negative Input Leakage Current CH0-CH63	-ISOFFOUTPUT	V <sub>IN</sub> = -10V, V <sub>EN</sub> = 4V, output and all unused MUX inputs under test = +10V 2/, 3/	-100	+1000	nA	
Output Leakage Current OUTPUTS (pins 25,26, 68 & 70)	+IDOFFOUTPUT	V <sub>OUT</sub> = +10V, V <sub>EN</sub> = 4V, output and all unused MUX inputs under test = -10V 3/, 4/	-100	+100	nA	
Output Leakage Current OUTPUTS (pins 25,26, 68 & 70)	-IDOFFOUTPUT	V <sub>OUT</sub> = -10V, V <sub>EN</sub> = 4V, output and all unused MUX inputs under test = +10V 3/, 4/	-100	+100	nA	
Input Clamped Voltage CH0 - CH63	+VCLMP	V <sub>EN</sub> = 4V, all unused MUX inputs under test are open. 3/	+25°C	18.0	23.0	V
			+125°C	18.0	23.5	V
Input Clamped Voltage CH0 - CH63	-VCLMP	V <sub>EN</sub> = 4V, all unused MUX inputs under test are open. 3/	-55°C	17.5	22.5	V
			+25°C	-23.0	-18.0	V
Switch ON Resistance OUTPUTS (pins 25,26, 68 & 70) 6/	R <sub>DS(ON)</sub> (0-63) <sub>A</sub>	V <sub>IN</sub> = +15V, V <sub>EN</sub> = 0.8V, I <sub>OUT</sub> = -1mA 2/, 3/, 5/	200	1000	Ω	
	R <sub>DS(ON)</sub> (0-63) <sub>B</sub>	V <sub>IN</sub> = +5V, V <sub>EN</sub> = 0.8V, I <sub>OUT</sub> = -1mA 2/, 3/, 5/	200	1500	Ω	
	R <sub>DS(ON)</sub> (0-63) <sub>C</sub>	V <sub>IN</sub> = -5V, V <sub>EN</sub> = 0.8V, I <sub>OUT</sub> = +1mA 2/, 3/, 5/	200	2500	Ω	

Notes:

- 1/ Measure inputs sequentially. Ground all unused inputs of the device under test. V<sub>A</sub> is the applied input voltage to the address lines A(0-3). V<sub>B</sub> is the applied input voltage to the address lines B(0-3).
- 2/ V<sub>IN</sub> is the applied input voltage to the input channels CH0-CH63.
- 3/ V<sub>EN</sub> is the applied input voltage to the enable lines E<sub>n</sub>(0-15), E<sub>n</sub>(16-31), E<sub>n</sub>(32-47) and E<sub>n</sub>(48-63).
- 4/ V<sub>OUT</sub> is the applied input voltage to the output lines OUTPUT(0-15), OUTPUT(16-31), OUTPUT(32-47) and OUTPUT(48-63).
- 5/ Negative current is the current flowing out of each of the MUX pins. Positive current is the current flowing into each MUX pin.
- 6/ The ACT8511 cannot be operated with analog inputs from -15 to -5 volts.
- 7/ Not tested, guaranteed to the specified limits.

## SWITCHING CHARACTERISTICS

(T<sub>c</sub> = -55°C to +125°C, -V<sub>EE</sub> = -15V, V<sub>REF</sub> = +5.0V, +V<sub>EE</sub> = +15V -- Unless otherwise specified)

Parameter	Symbol	Conditions	Min	Max	Units
Switching Test MUX	t <sub>AHL</sub>	R <sub>L</sub> = 10KΩ, C <sub>L</sub> = 50pF	10	1000	ns
	t <sub>ALH</sub>		10	1000	ns
	t <sub>ONEN</sub>	R <sub>L</sub> = 1KΩ, C <sub>L</sub> = 50pF	10	1000	ns
	t <sub>OFFEN</sub>		10	1000	ns

### TRUTH TABLE (CH0 – CH15)

B3	B2	B1	B0	EN(0-15)	"ON" CHANNEL 1/
X	X	X	X	H	NONE
L	L	L	L	L	CH0
L	L	L	H	L	CH1
L	L	H	L	L	CH2
L	L	H	H	L	CH3
L	H	L	L	L	CH4
L	H	L	H	L	CH5
L	H	H	L	L	CH6
L	H	H	H	L	CH7
H	L	L	L	L	CH8
H	L	L	H	L	CH9
H	L	H	L	L	CH10
H	L	H	H	L	CH11
H	H	L	L	L	CH12
H	H	L	H	L	CH13
H	H	H	L	L	CH14
H	H	H	H	L	CH15

1/ Between CH0-15 and OUTPUT (0-15)

### TRUTH TABLE (CH16 – CH31)

B3	B2	B1	B0	EN(16-31)	"ON" CHANNEL 1/
X	X	X	X	H	NONE
L	L	L	L	L	CH16
L	L	L	H	L	CH17
L	L	H	L	L	CH18
L	L	H	H	L	CH19
L	H	L	L	L	CH20
L	H	L	H	L	CH21
L	H	H	L	L	CH22
L	H	H	H	L	CH23
H	L	L	L	L	CH24
H	L	L	H	L	CH25
H	L	H	L	L	CH26
H	L	H	H	L	CH27
H	H	L	L	L	CH28
H	H	L	H	L	CH29
H	H	H	L	L	CH30
H	H	H	H	L	CH31

1/ Between CH16-31 and OUTPUT (16-31)

### TRUTH TABLE (CH32 – CH47)

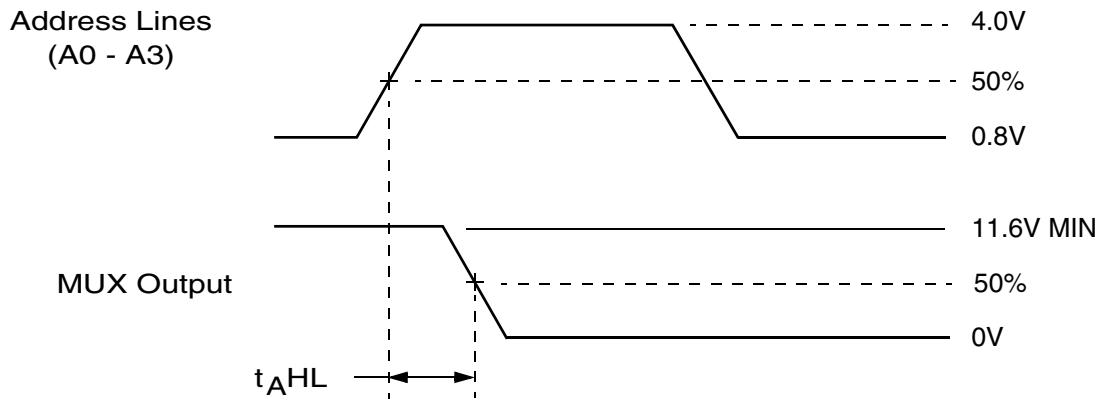
A3	A2	A1	A0	EN(32-47)	"ON" CHANNEL 1/
X	X	X	X	H	NONE
L	L	L	L	L	CH32
L	L	L	H	L	CH33
L	L	H	L	L	CH34
L	L	H	H	L	CH35
L	H	L	L	L	CH36
L	H	L	H	L	CH37
L	H	H	L	L	CH38
L	H	H	H	L	CH39
H	L	L	L	L	CH40
H	L	L	H	L	CH41
H	L	H	L	L	CH42
H	L	H	H	L	CH43
H	H	L	L	L	CH44
H	H	L	H	L	CH45
H	H	H	L	L	CH46
H	H	H	H	L	CH47

1/ Between CH32-47 and OUTPUT (32-47)

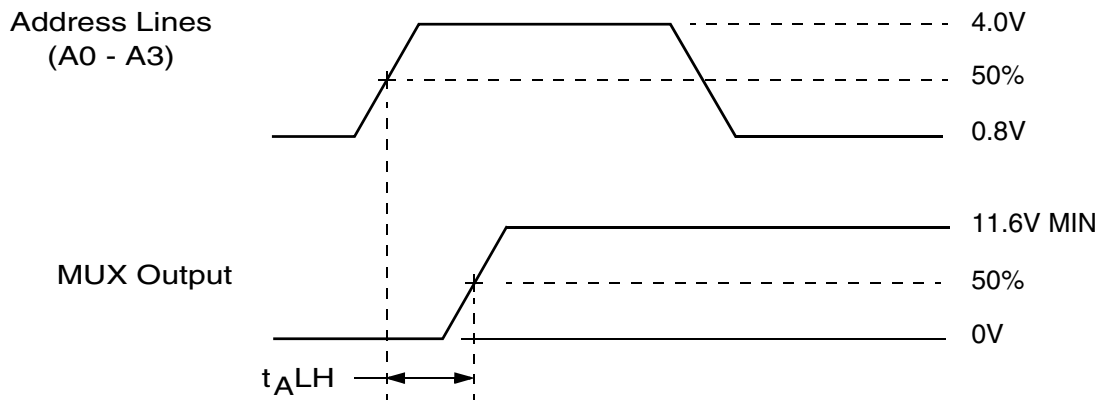
### TRUTH TABLE (CH48 – CH63)

A3	A2	A1	A0	EN(48-63)	"ON" CHANNEL 1/
X	X	X	X	H	NONE
L	L	L	L	L	CH48
L	L	L	H	L	CH49
L	L	H	L	L	CH50
L	L	H	H	L	CH51
L	H	L	L	L	CH52
L	H	L	H	L	CH53
L	H	H	L	L	CH54
L	H	H	H	L	CH55
H	L	L	L	L	CH56
H	L	L	H	L	CH57
H	L	H	L	L	CH58
H	L	H	H	L	CH59
H	H	L	L	L	CH60
H	H	L	H	L	CH61
H	H	H	L	L	CH62
H	H	H	H	L	CH63

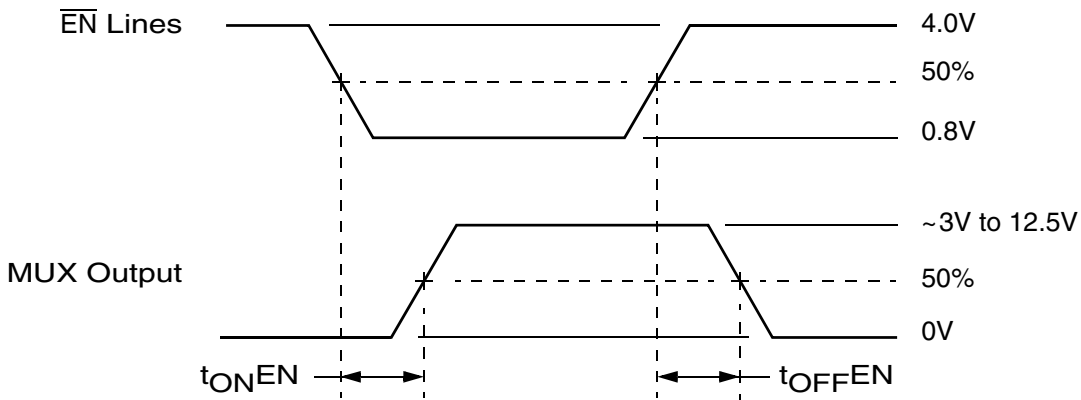
1/ Between CH48-63 and OUTPUT (48-63)



Definition of  $t_{AHL}$



Definition of  $t_{ALH}$



Definition of  $t_{ONEN}$  and  $t_{OFFEN}$

NOTE:  $f = 10\text{KHz}$ , Duty cycle = 50%.

### ACT8511 SWITCHING DIAGRAMS

## PIN NUMBERS & FUNCTIONS

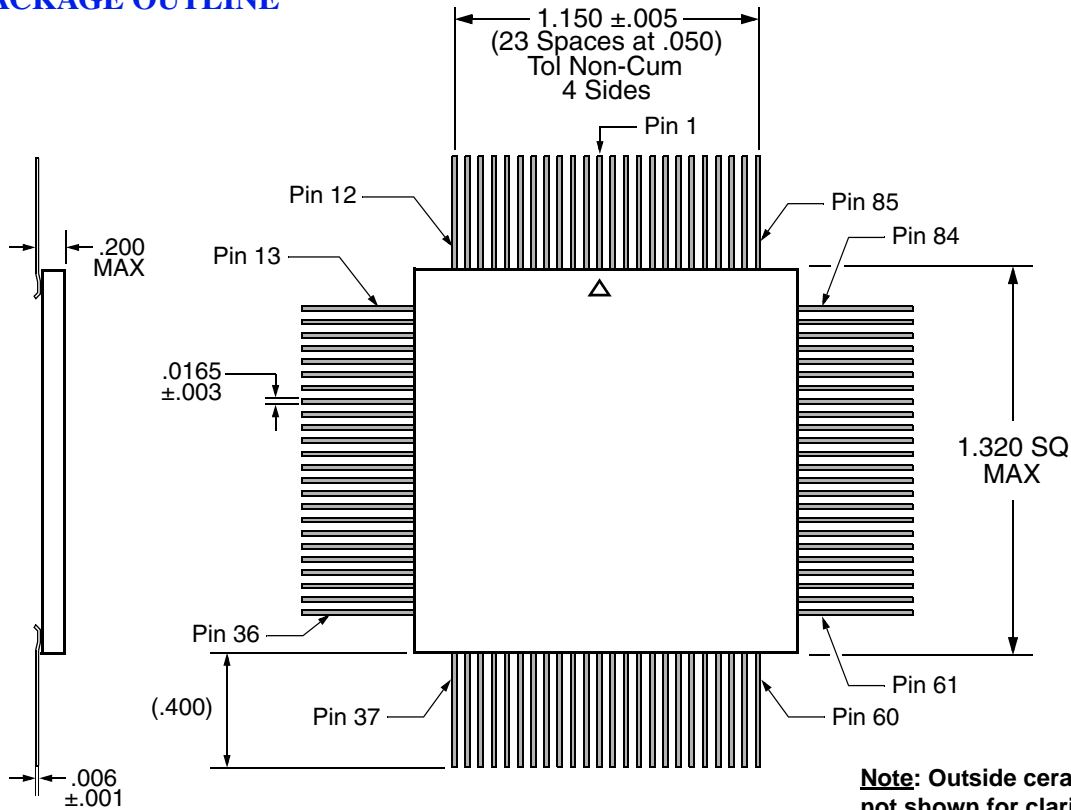
ACT8511 – 96 Leads Ceramic QUAD Flat Pack					
Pin #	Function	Pin #	Function	Pin #	Function
1	A2	33	CH11	65	CH49
2	B2	34	CH27	66	CH48
3	A3	35	CH12	67	NC
4	B3	36	CH28	68	Output V(48-63)
5	$\overline{\text{EN}} 0-15$	37	CH13	69	NC
6	$\overline{\text{EN}} 16-31$	38	CH29	70	Output V(32-47)
7	CH0	39	CH14	71	GND
8	CH16	40	CH30	72	GND
9	CH1	41	CH15	73	CH47
10	CH17	42	CH31	74	CH46
11	CH2	43	NC	75	CH45
12	CH18	44	+VEE	76	CH44
13	CH3	45	NC	77	CH43
14	CH19	46	-VEE	78	CH42
15	CH4	47	NC	79	CH41
16	CH20	48	VREF	80	CH40
17	CH5	49	NC	81	CH39
18	CH21	50	CASE GND	82	CH38
19	CH6	51	CH63	83	CH37
20	CH22	52	CH62	84	CH36
21	CH7	53	CH61	85	CH35
22	CH23	54	CH60	86	CH34
23	GND	55	CH59	87	CH33
24	GND	56	CH58	88	CH32
25	Output V(0-15)	57	CH57	89	GND
26	Output V(16-31)	58	CH56	90	GND
27	CH8	59	CH55	91	$\overline{\text{EN}} 48-63$
28	CH24	60	CH54	92	$\overline{\text{EN}} 32-47$
29	CH9	61	CH53	93	A0
30	CH25	62	CH52	94	B0
31	CH10	63	CH51	95	A1
32	CH26	64	CH50	96	B1

NOTE: It is recommended that all "NC" or "no connect pin" be grounded. This eliminates or minimizes any ESD or static buildup.

## ORDERING INFORMATION

Model Number	Screening	DSCC SMD #	Package
ACT8511-S	Military Temperature, -55°C to +125°C, Screened in accordance with MIL-PRF-38534, Class K	NA	QUAD Flat Pack
ACT8511-7	Commercial Flow, +25°C testing only		
ACT8511-201-1S	In accordance with DSCC SMD	5962-0920202KXC	

### FLAT PACKAGE OUTLINE



**Note: Outside ceramic tie bars not shown for clarity. Contact factory for details.**

#### EXPORT CONTROL:

This product is controlled for export under the International Traffic in Arms Regulations (ITAR). A license from the U.S. Department of State is required prior to the export of this product from the United States.

#### EXPORT WARNING:

Aeroflex's military and space products are controlled for export under the International Traffic in Arms Regulations (ITAR) and may not be sold or proposed or offered for sale to certain countries. (See ITAR 126.1 for complete information.)

**PLAINVIEW, NEW YORK**  
Toll Free: 800-THE-1553  
Fax: 516-694-6715

**INTERNATIONAL**  
Tel: 805-778-9229  
Fax: 805-778-1980

**NORTHEAST**  
Tel: 603-888-3975  
Fax: 603-888-4585

**SE AND MID-ATLANTIC**  
Tel: 321-951-4164  
Fax: 321-951-4254

**WEST COAST**  
Tel: 949-362-2260  
Fax: 949-362-2266

**CENTRAL**  
Tel: 719-594-8017  
Fax: 719-594-8468

[www.aeroflex.com](http://www.aeroflex.com)    [info-ams@eroflex.com](mailto:info-ams@eroflex.com)



Aeroflex Microelectronic Solutions reserves the right to change at any time without notice the specifications, design, function, or form of its products described herein. All parameters must be validated for each customer's application by engineering. No liability is assumed as a result of use of this product. No patent licenses are implied.



Our passion for performance is defined by three attributes represented by these three icons: solution-minded, performance-driven and customer-focused