

BIAS TEES

7/16 - DIN, Environmentally Sealed, 500 MHz - 2.5 GHz, 100 V. / 7 A.

RoHS
Compliant

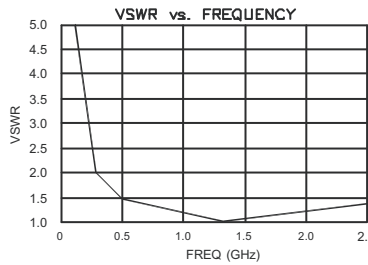
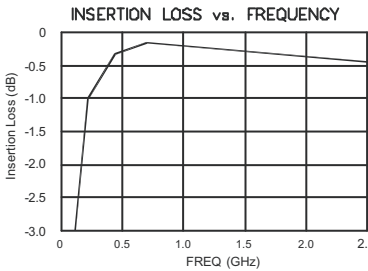
SPECIFICATIONS:

Models: 8821DMFX-02, 8821DMMX-02, 8821DFFX-02, 8821DFMX-02

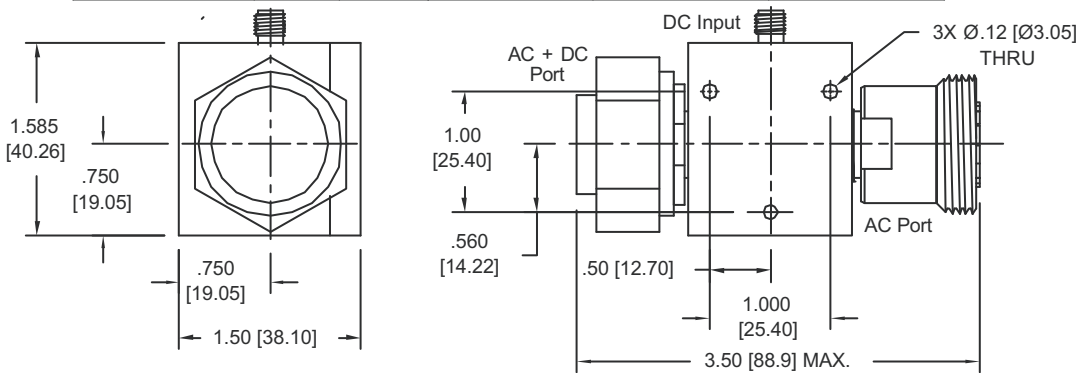
Electrical:	
Frequency Range	500 MHz - 2.5 GHz
Insertion Loss	Typical Maximum
500 MHz - 2.5 GHz	0.25 dB 0.50 dB
VSWR	Typical Maximum
500 MHz - 2.5 GHz	1.25:1 1.50:1
Isolation (RF to Bias Port)	> 20dB Typ.
3dB Bandwidth	150 MHz - 3.5 GHz
Impedance	50 Ohms
Bias-Path Resistance	0.008 Ohms Typ., 0.025 Ohms Max.
DC Voltage	100 VDC Max.
DC Current	7 Amps Max.
RF Power	50 Watts Max.
Environmental	
Operating Temperature Range	-55°C to +105°C
Storage Temperature Range	-60°C to +90°C
Mechanical:	
7/16 DIN Connectors	Silver or White Bronze Plated Brass Mates with DIN 47 223
SMA Connectors	Passivated Stainless Steel Mates with MIL-STD-348
BNC Connectors	Nickel Plated Brass Mates with MIL-STD-348
Conductors	Gold, Silver or White Bronze Plated Beryllium Copper
Body	Aluminum with Chemical Conversion Coating



Typical performance from 125 MHz - 2.5 GHz



Model Numbers	Connector Configuration Port		DC Input Connector		
	AC + DC	AC	Solder Post, X=1	SMA Female, X=2	BNC Female, X=3
8821DMFX-02	Male	Female		AS Shown Below	
8821DFFX-02	Female	Female			
8821DMMX-02	Male	Male			
8821DFMX-02	Female	Male			



HOW TO ORDER:

Model Number: **8821DyyX-02**

Base Number | DC Connector Type

- 1 = Solder Post
- 2 = SMA Female Conn.
- 3 = BNC Female Conn.

Ordering Examples:

Model Number: **8821DFF2-02**
 500 MHz - 2.5 GHz, DIN 7/16 Fem/Fem
 SMA Female DC Connector Type

Model Number: **8821DMF1-02**
 500 MHz - 2.5 GHz, DIN 7/16 Male/Fem
 Solder Post DC Connector Type

Note: Dimensions in Brackets are Expressed in Millimeters and are for Reference Only. Design Specifications are subject to change without notice. Contact factory for technical specifications before purchasing or use. 8821D: REV D



Aeroflex / Inmet, Inc. • 300 Dino Drive, Ann Arbor, MI 48103 • U.S.A.
 888-244-6638 or 734-426-5553 • FAX: 734-426-5557
 www.aeroflex.com/inmet • inmet@aeroflex.com