

BIAS TEES, Pulsed

SMA, up to 12 GHz, 3 AMPS

SPECIFICATIONS:

Models: 8860SXX1-XX, 8860SXX2-XX, 8860SXX3-XX

RoHS
Compliant



Electrical:

Frequency Range _____ 30 MHz - 12 GHz
 Standard Freq. Values _____ 2.5, 6, 9 & 12 GHz
 Insertion Loss (AC to AC+DC):
 Typical _____ Maximum _____
 30 MHz - 100 MHz _____ 1.00 dB _____ 2.00 dB
 100 MHz - 6 GHz _____ 0.50 dB _____ 1.25 dB
 6 - 9 GHz _____ 1.50 dB _____ 2.00 dB
 9 - 12 GHz _____ 2.00 dB _____ 3.00 dB
 Insertion Loss (AC+DC to DC):
 <5 MHz _____ <1.25 dB Typical
 VSWR: _____ Maximum _____
 Typical _____
 30 MHz - 100 MHz _____ 1.80:1 _____ 2.00:1
 100 MHz - 6 GHz _____ 1.30:1 _____ 1.50:1
 6 - 9 GHz _____ 1.60:1 _____ 1.80:1
 9 - 12 GHz _____ 2.20:1
 Impedance _____ 50 Ohms
 Isolation (AC to DC) <5 MHz, >30 MHz _____ >10 dB Typical
 Isolation (AC to AC+DC) <5 MHz _____ >10 dB Typical
 Isolation (DC to AC+DC) >30 MHz _____ >10 dB Typical
 DC Voltage _____ 100 VDC Max.
 DC Current _____ 3.0 Amps Max.
 Current Rating vs Temperature _____ Derated Linearly to
 1A at 105°C

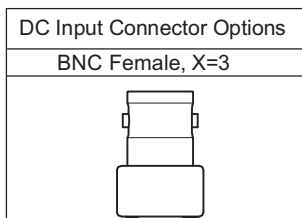
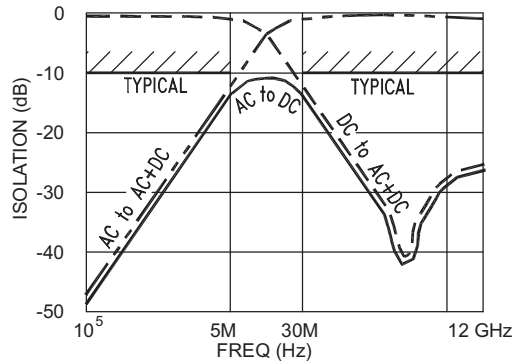
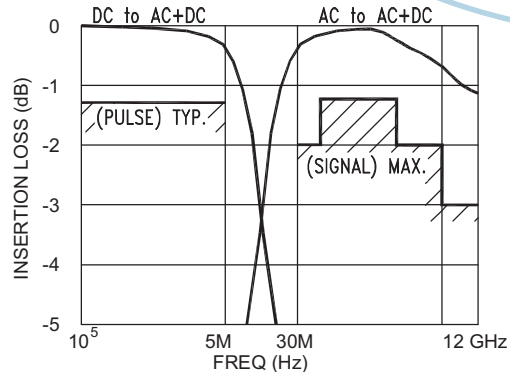
Rf specifications apply when 3rd port is terminated with 50-Ohm load

Environmental:

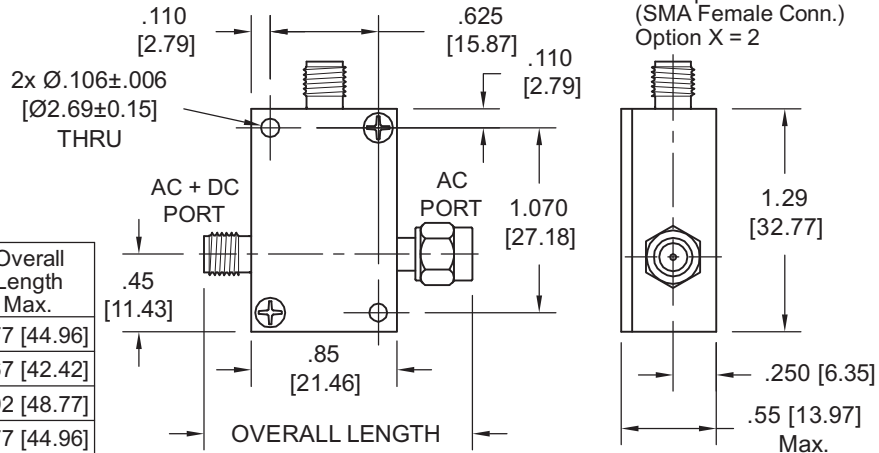
Operating Temperature Range _____ -55°C to +105°C
 Storage Temperature Range _____ -60°C to +90°C

Mechanical:

SMA Connectors _____ Passivated Stainless Steel
Mates with MIL-STD-348
 BNC Connectors _____ Nickel Plated Brass
Mates with MIL-STD-348
 Center Conductors _____ Gold Plated Beryllium Copper
 Housing _____ Aluminum with Chem. Conv. Coating



| Model Numbers | Connector Configuration Port | | Overall Length Max. |
|---------------|------------------------------|--------|---------------------|
| | AC + DC | AC | |
| 8860SMFX-YY | Male | Female | 1.77 [44.96] |
| 8860SFFX-YY | Female | Female | 1.67 [42.42] |
| 8860SMMX-YY | Male | Male | 1.92 [48.77] |
| 8860SFMX-YY | Female | Male | 1.77 [44.96] |



HOW TO ORDER:

Model Number: **8860SZZX-YY**
 Base Number _____
 DC Connector Type _____
 2 = SMA Female Conn.
 3 = BNC Female Conn.

Freq. Range
 02 = 30 MHz - 2.5 GHz
 06 = 30 MHz - 6 GHz
 09 = 30 MHz - 9 GHz
 12 = 30 MHz - 12 GHz

Ordering Examples:

Model Number: **8860SFM2-12**
 30 MHz - 12 GHz, SMA Fem/Male
 SMA Female DC Connector Type
 Model Number: **8860SMF3-06**
 30 MHz - 6 GHz, SMA Male/Fem
 BNC DC Connector Type

8860S; REV A

