

Adapters, In-Series

SMA, DC-18 GHz, Flange Mount

SPECIFICATIONS:

Models: 5311A, 5312A, 5313A

RoHS
Compliant

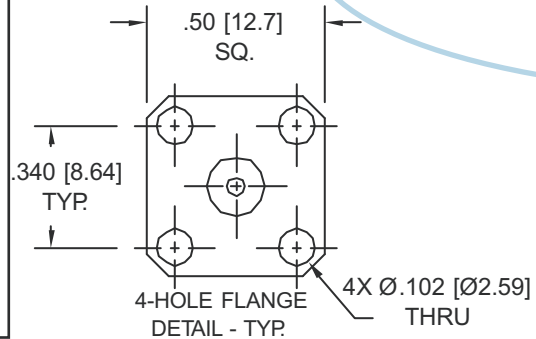
AEROFLEX
A passion for performance.

Electrical:

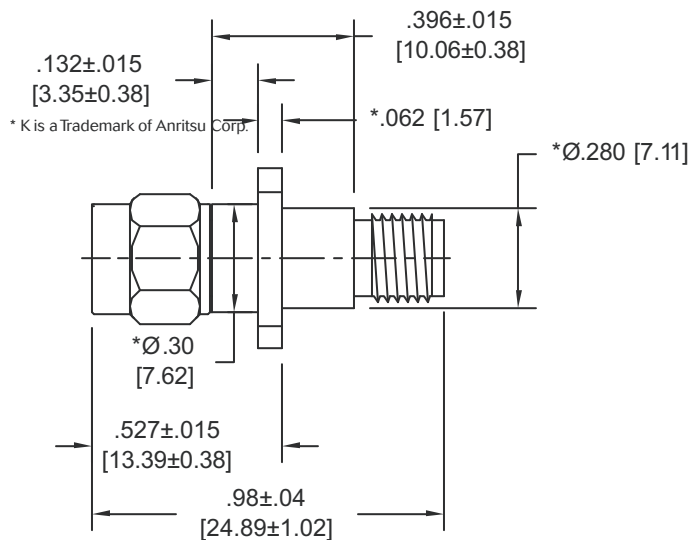
Frequency Range _____ DC - 18.0 GHz
 VSWR:
 DC - 6 GHz _____ 1.10:1 Max.
 6 - 12.4 GHz _____ 1.15:1 Max.
 12.4 - 18 GHz _____ 1.20:1 Max.
 Impedance _____ 50 Ohms
 Operating Temp Range _____ -65°C to +125°C

Mechanical:

Connectors _____ Passivated Stainless Steel
 Mates with MIL-STD-348
 Conductors _____ Gold Plated Beryllium Copper

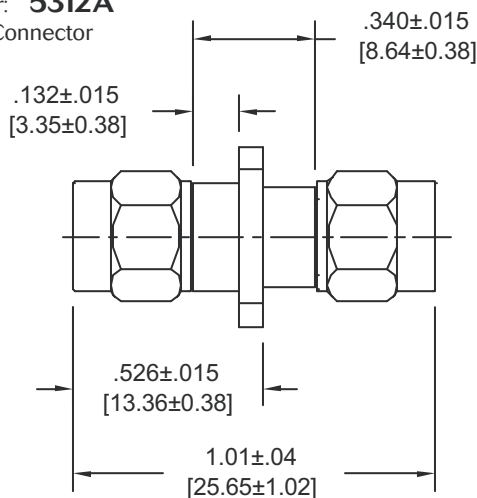


Model Number: **5311A**
 Male/Female Connector

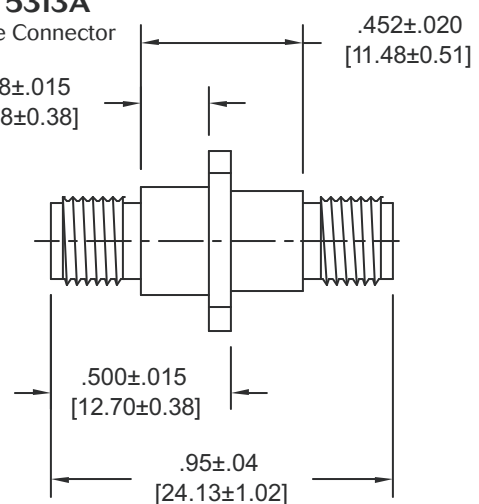


Dimensions indicated with an asterisk () are typical for all 3 Models shown.

Model Number: **5312A**
 Male/Male Connector



Model Number: **5313A**
 Female/Female Connector



Note: Dimensions in Brackets are Expressed in Millimeters and are for Reference Only.

5311A: REV -



Aeroflex / Inmet, Inc. • 300 Dino Drive, Ann Arbor, MI 48103 • U.S.A.
 888-244-6638 or 734-426-5553 • FAX: 734-426-5557
 www.aeroflex.com/inmet • inmet@aeroflex.com