

ADAPTERS, IN SERIES

3.5mm, DC - 34 GHz

SPECIFICATIONS:

Models: 5084, 5085, 5086

RoHS
Compliant

AEROFLEX
A passion for performance.

Electrical:

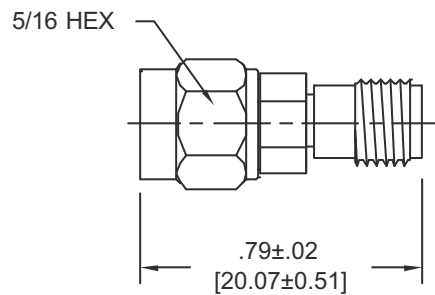
Frequency Range _____ DC - 34 GHz
 VSWR _____ 1.25:1 Max.
 Impedance _____ 50 Ohms
 Operating Temp. Range _____ -65°C to +125°C

Mechanical:

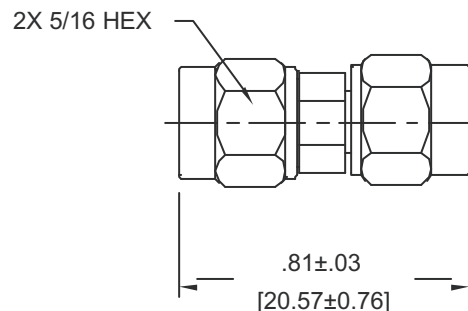
3.5mm Connectors _____ Passivated Stainless Steel
 Mates both Mechanically and Electrically with
 SMA, 2.9mm and K* Series Connectors
 Conductors _____ Gold Plated Beryllium Copper

* K is a Trademark of Anritsu Corp.

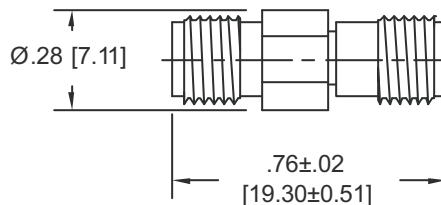
Model Number: **5084**
 Male/Female Connectors



Model Number: **5085**
 Male/Male Connectors



Model Number: **5086**
 Female/Female Connectors



Note: Dimensions in Brackets are Expressed in Millimeters and are for Reference Only.
 Units featuring very low return loss (VSWR) are also available.

5084: REV -

AEROFLEX
INMET

Aeroflex / Inmet, Inc. • 300 Dino Drive, Ann Arbor, MI 48103 • U.S.A.
 888-244-6638 or 734-426-5553 • FAX: 734-426-5557
 www.aeroflex.com/inmet • inmet-sales@eroflex.com