

ADAPTERS, IN SERIES

2.9mm, DC - 40 GHz, Bulkhead Feedthru

SPECIFICATIONS:

Model: 5214

RoHS
Compliant

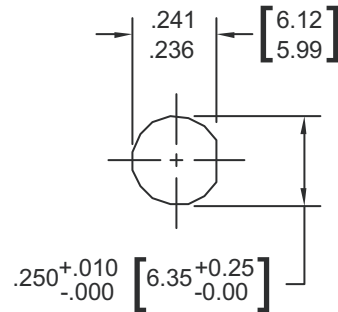
AEROFLEX
A passion for performance.

Electrical:

Frequency Range _____ DC - 40 GHz
 VSWR
 DC - 18 GHz _____ 1.10:1 Max.
 18 - 26.5 GHz _____ 1.20:1 Max.
 26.5 - 40 GHz _____ 1.30:1 Max.
 Impedance _____ 50 Ohms
 Operating Temp Range _____ -65°C to +125°C

Mechanical:

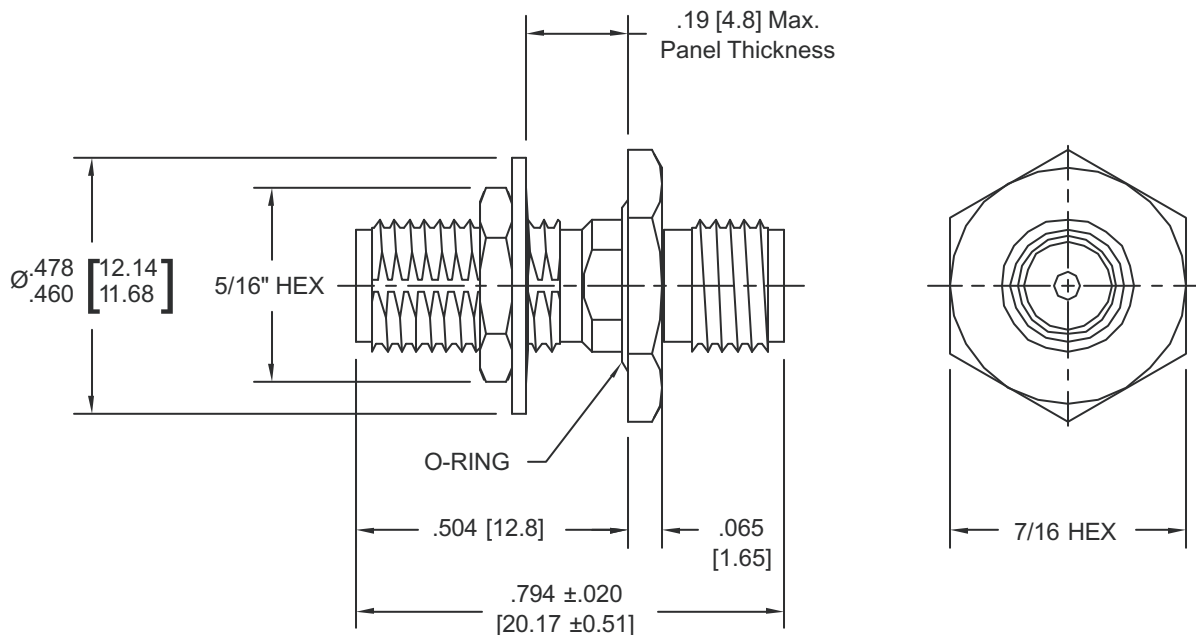
2.9mm Connectors _____ Passivated Stainless Steel
 Mates both Mechanically and Electrically with
 SMA, K* and 3.5mm Series Connectors
 Conductors _____ Gold Plated Beryllium Copper
 Nut & Washer: _____ Passivated Stainless Steel
 O-Ring _____ Silicone Rubber



Recommended
Mounting Hole

* K is a Trademark of Anritsu Corp.

Model Number: **5214**



Note: Dimensions in Brackets are Expressed in Millimeters and are for Reference Only.

5214: REV E

AEROFLEX
INMET

Aeroflex / Inmet, Inc. • 300 Dino Drive, Ann Arbor, MI 48103 • U.S.A.
 888-244-6638 or 734-426-5553 • FAX: 734-426-5557
 www.aeroflex.com/inmet • inmet-sales@eroflex.com