

ADAPTERS, IN-SERIES

Type N , DC - 18 GHz, Precision

SPECIFICATIONS:

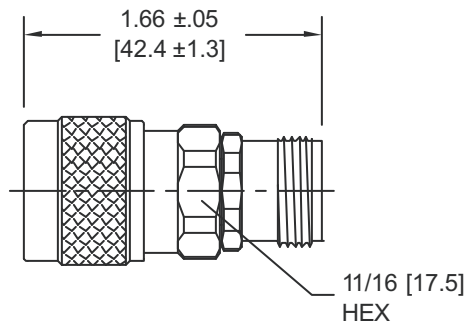
Models: 5103, 5104, 5105

RoHS
Compliant

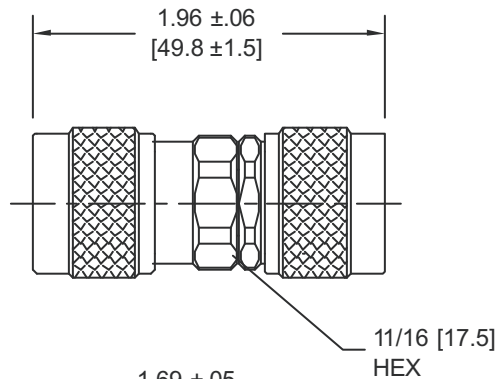
Electrical:	
Frequency Range	_____ DC - 18.0 GHz
VSWR	
DC - 4 GHz	_____ 1.04:1 Max.
4 - 8 GHz	_____ 1.07:1 Max.
8 - 18 GHz	_____ 1.12:1 Max.
Impedance	_____ 50 Ohms
Operating Temp Range	_____ -65°C to +125°C
Mechanical:	
Connectors	_____ Passivated Stainless Steel
	Mates with MILSTD-348
Conductors	_____ Gold Plated Beryllium Copper



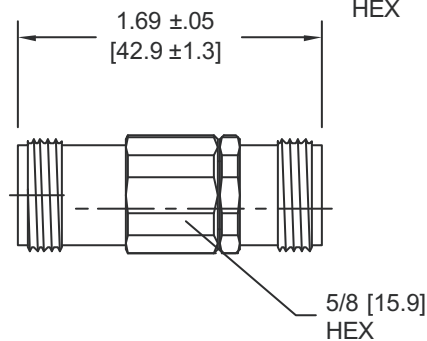
Model Number: **5105**
Male/Female Connectors



Model Number: **5104**
Male/Male Connectors



Model Number: **5103**
Female/Female Connectors



Note: Dimensions in Brackets are Expressed in Millimeters and are for Reference Only.

5105: REV D



Aeroflex / Inmet, Inc. • 300 Dino Drive, Ann Arbor, MI 48103 • U.S.A.
888-244-6638 or 734-426-5553 • FAX: 734-426-5557
www.aeroflex.com/inmet • inmet-sales@eroflex.com