

ADAPTERS, IN-SERIES

Type N , up to 18 GHz, Flange Mount

SPECIFICATIONS:

Models: 5303, 5304, 5305

RoHS
Compliant

AEROFLEX
A passion for performance.

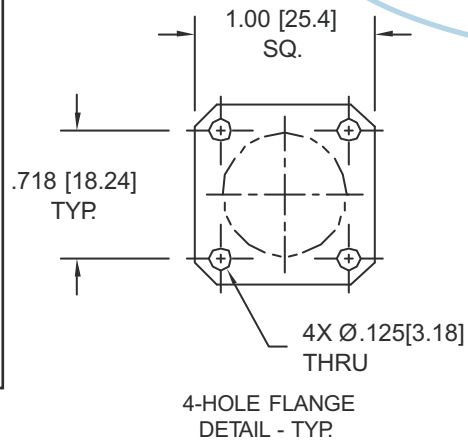
Electrical:

Frequency Range _____ DC - 18 GHz
 Standard Freq. Values _____ 6* & 18 GHz
 VSWR _____
 DC - 4 GHz _____ 1.04:1 Max.
 4 - 8 GHz _____ 1.07:1 Max.
 8 - 18 GHz _____ 1.12:1 Max.
 Impedance _____ 50 Ohms
 Operating Temp Range _____ -65°C to +125°C

Mechanical:

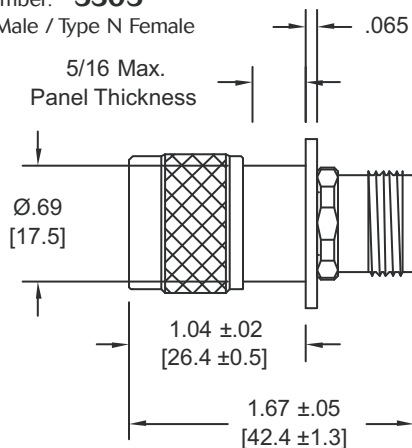
Type N Connectors _____ Passivated Stainless Steel
Mates with MIL-STD-348
 Conductors _____ Gold Plated Beryllium Copper

*For DC - 6 GHz Units add -067 to the Model Number



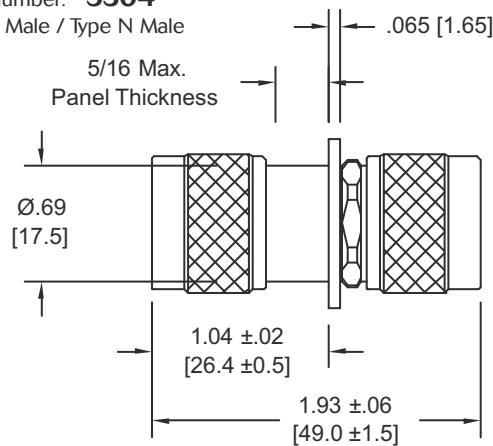
Model Number: **5305**

Type N Male / Type N Female



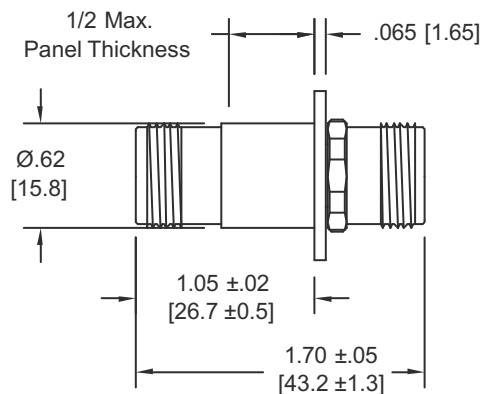
Model Number: **5304**

Type N Male / Type N Male



Model Number: **5303**

Type N Female / Type N Female



HOW TO ORDER:

Model Number: **530X-YYY**

Base Number | Freq. Range
 = DC - 18 GHz
 067 = DC - 6 GHz

Ordering Examples:

Model Number: **5304**
 DC - 18 GHz; Male/Male

Model Number: **5303-067**
 DC - 6 GHz; Fem/Fem

Note: Dimensions in Brackets are Expressed in Millimeters and are for Reference Only.

5305: REVA

AEROFLEX
INMET

Aeroflex / Inmet, Inc. • 300 Dino Drive, Ann Arbor, MI 48103 • U.S.A.
 888-244-6638 or 734-426-5553 • FAX: 734-426-5557
 www.aeroflex.com/inmet • inmet@aeroflex.com