

ADAPTERS, In-SERIES

Type N, DC -18 GHz, Bulkhead Mount

SPECIFICATIONS:

Models: 5208, 5215

RoHS
Compliant

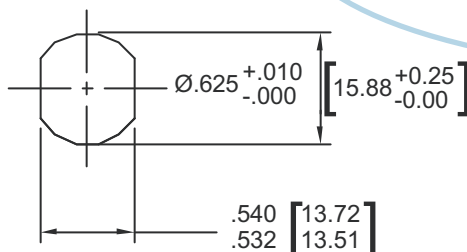


Electrical:

Frequency Range _____ DC - 18.0 GHz
 VSWR _____ 1.15:1 Max.
 Nominal Impedance _____ 50 Ohms
 Operating Temp Range _____ -65°C to +125°C

Mechanical:

Connectors _____ Passivated Stainless Steel
Mates with MILSTD-348
 Conductors _____ Gold Plated Beryllium Copper
 Nut & Washer: _____ Passivated Stainless Steel
 O-Ring _____ Silicone Rubber



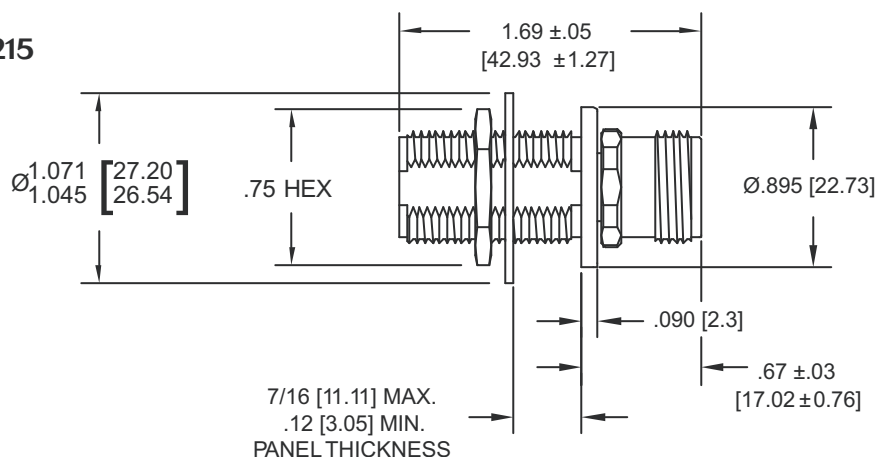
Recommended Panel Configuration

Model Number: **5208**

No O-Ring added

Model Number: **5215**

With O-Ring Added



Panel Nut, Lock Washer & O-Ring are Shipped Unassembled

Note: Dimensions in Brackets are Expressed in Millimeters and are for Reference Only.

5208: REV D



Aeroflex / Inmet, Inc. • 300 Dino Drive, Ann Arbor, MI 48103 • U.S.A.
 888-244-6638 or 734-426-5553 • FAX: 734-426-5557
 www.aeroflex.com/inmet • inmet@aeroflex.com