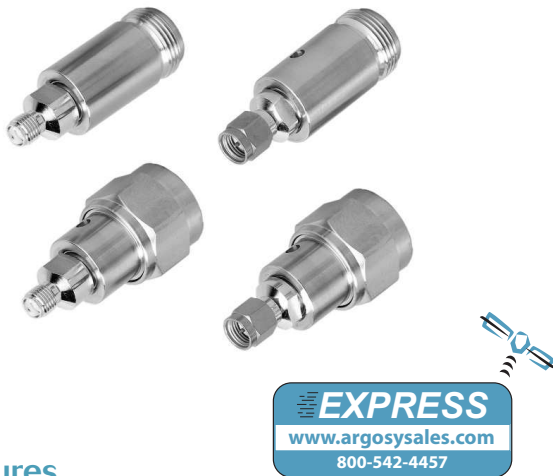


Model 1548 Precision Coaxial Adapter SMA to Type N Connectors

dc to 18.0 GHz



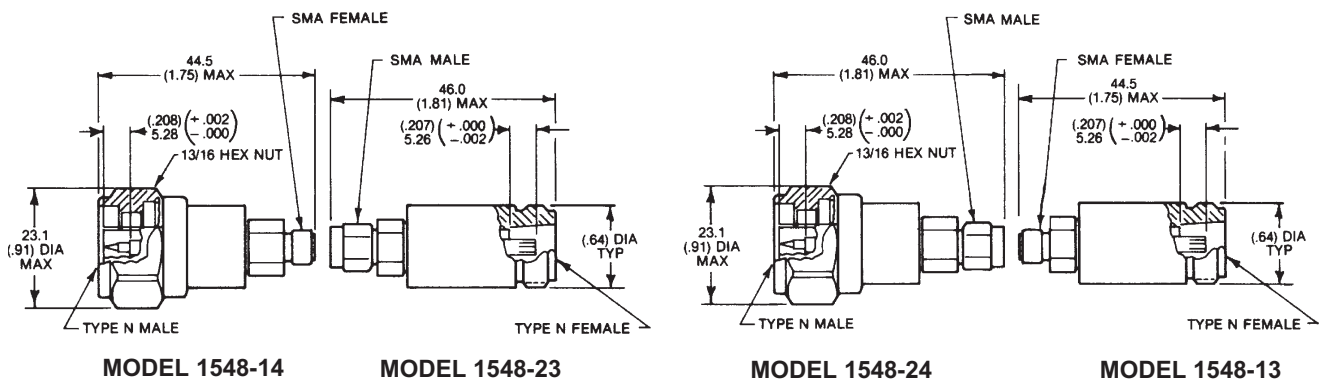
Features

- /// High Repeatability
- /// Rugged Construction
- /// Stainless Steel Construction

Specifications

NOMINAL IMPEDANCE: 50 Ω
FREQUENCY RANGE: dc to 18.0 GHz

PHYSICAL DIMENSIONS:



NOTE: All dimensions are given in mm (inches) and are maximum, unless otherwise specified.

MAXIMUM SWR:	
Frequency (GHz)	SWR*
dc - 18	1.10

INSERTION LOSS (dB):	
Frequency (GHz)	Loss (maximum)*
dc - 18	<0.43

REPEATABILITY (dB):		
Frequency (GHz)	Type N	SMA
dc - 12.4	< 0.006	0.01
12.4 - 18	< 0.010	0.02

* Specification based on mated pair terminated in 50 Ω.

TEMPERATURE RANGE: -55°C to + 85°C

CONSTRUCTION: Stainless steel body and coupling nuts. Gold plated beryllium copper center conductors and SMA bodies, injection molded insulators. Coupling Torque: 14 ± 1 inch pounds for Type N and 8±0.5 inch pounds for SMA.

CONNECTORS: Type N and SMA connectors per MIL-STD-348 interface dimensions - mate nondestructively with MIL-C-39012 connectors.

WEIGHT: 56.7 g (2 oz) maximum connectors only.