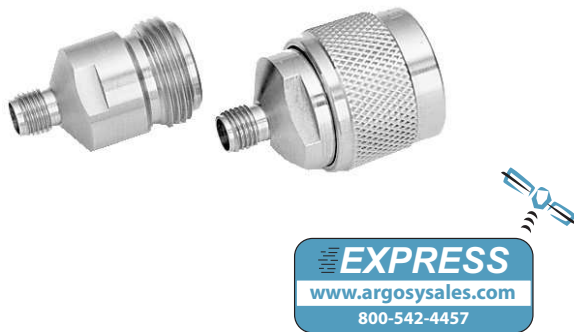


# Coaxial Adapters



## Model 7002 High Performance Coaxial Adapter *Ruggedized SMA to Type N Connectors*

dc to 18.0 GHz



### Features

- /// High Repeatability
- /// Rugged Injection Molded Connectors
- /// Stainless Steel Construction

### Specifications

**NOMINAL IMPEDANCE:** 50 Ω

**FREQUENCY RANGE:** dc to 18.0 GHz

#### MAXIMUM SWR:

Frequency (GHz)	SWR (per adapter)
dc - 18	1.12

#### INSERTION LOSS & REPEATABILITY (dB):

Frequency (GHz)	Ins Loss*	Repeatability*
dc - 12.4	< 0.40	0.01
12.4 - 18	< 0.50	0.02

\*Specification based on mated pair terminated in 50 Ω.

#### ELECTRICAL LENGTH:

Models 7002-14 & 7002-24: 33mm

Models 7002-13 & 7002-23: 20mm

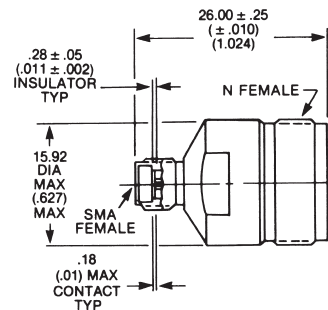
**CONSTRUCTION:** Gold plated beryllium copper center conductors, injection molded into stainless steel outer bodies.

**CONNECTORS:** Type N and SMA connectors per MIL-STD-348 interface dimensions - mate nondestructively with MIL-C-39012 connectors.

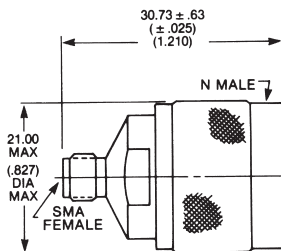
**WEIGHT:** 30 g (1.1 oz) maximum

#### PHYSICAL DIMENSIONS:

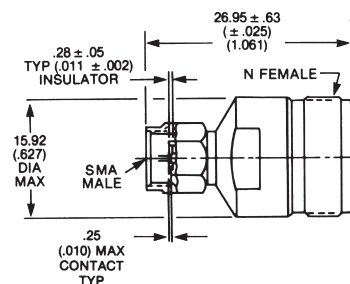
##### MODEL 7002-13:



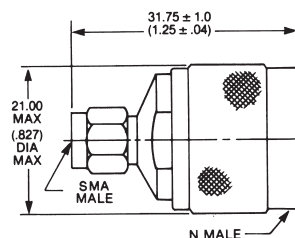
##### MODEL 7002-14:



##### MODEL 7002-23:



##### MODEL 7002-24:



NOTE: All dimensions are given in mm (inches) and are maximum, unless otherwise specified.