

DC BLOCKS

SMA, 7 kHz - 23 GHz, Inner Only

SPECIFICATIONS:

Models: 8535

RoHS
Compliant

AEROFLEX
A passion for performance.

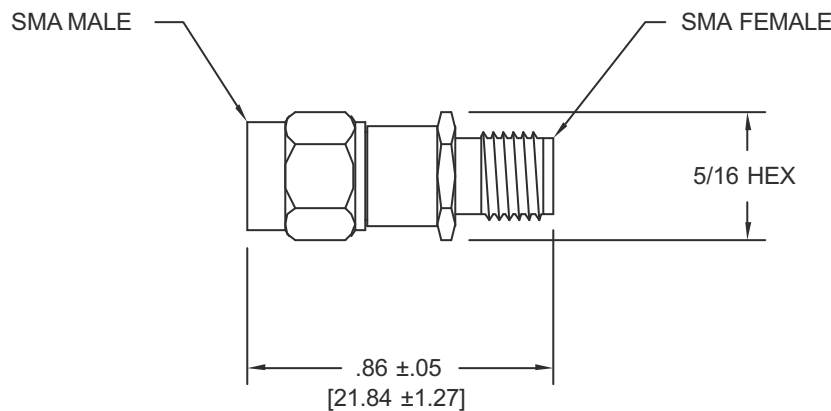
Electrical:

Frequency Range _____ 7 KHz - 23 GHz
VSWR (100 KHz - 23 GHz) _____ 1.35:1 Max.
Impedance _____ 50 Ohms
Insertion Loss
100 KHz - 12.4 GHz _____ 0.5 dB Max.
12.4 - 23 GHz _____ 0.75 dB Max.
Voltage Rating _____ 100 Volts
Operating Temp. Range _____ -65°C to +125°C
< -3 dB Bandwidth _____ 7 KHz - 23 GHz

Mechanical:

SMA Connectors _____ Passivated Stainless Steel
Mates with MIL-STD-348
Conductors _____ Gold Plated Beryllium Copper

Model Number: **8535**



Note: Dimensions in Brackets are Expressed in Millimeters and are for Reference Only.

8535: REVA

AEROFLEX
INMET

Aeroflex / Inmet, Inc. • 300 Dino Drive, Ann Arbor, MI 48103 • U.S.A.
888-244-6638 or 734-426-5553 • FAX: 734-426-5557
www.aeroflex.com/inmet • inmet@aeroflex.com