

DC BLOCKING CONNECTOR

2.9mm, 7 kHz - 45 GHz, 25 Volts

SPECIFICATIONS:

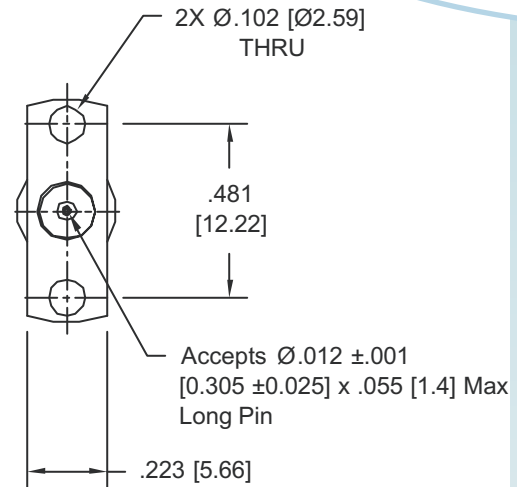
Models: 8537KF, 8537KM

RoHS
Compliant

Electrical:	
Frequency Range	7 KHz - 45 GHz
Insertion Loss	
100 KHz - 12.4 GHz	0.55 dB Typ., (0.75 dB Max.)
12.4 - 32 GHz	0.75 dB Max.
32 - 40 GHz	1.00 dB Goal, (1.25 dB Max.)
VSWR	
100 - 250 KHz	<1.40:1 Typical
250 KHz - 32 GHz	1.40:1 Max.
32 - 40 GHz	1.50:1 Max.
Impedance	50 Ohms
Working Voltage	25 Volts Max.
Bandwidth (-3 dB)	<7 KHz to >45 GHz
Operating Temp Range	-20°C to +85°C
Minimum Capacitance over Temperature	70kpf
Mechanical:	
2.9mm Connectors	Passivated Stainless Steel
Mates with SMA, 3.5mm and K* Series Connectors as well as SMK IAW MILSTD-348	
Conductors	Gold Plated Beryllium Copper

* K is a Trademark of Anritsu Corp.

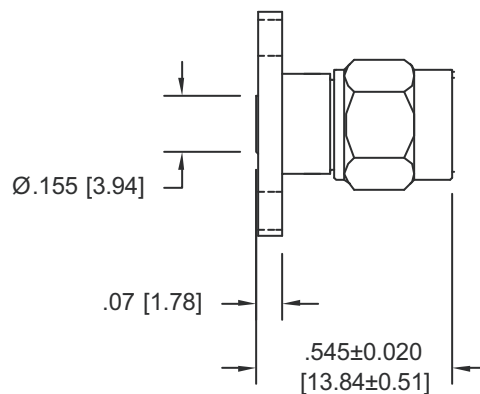
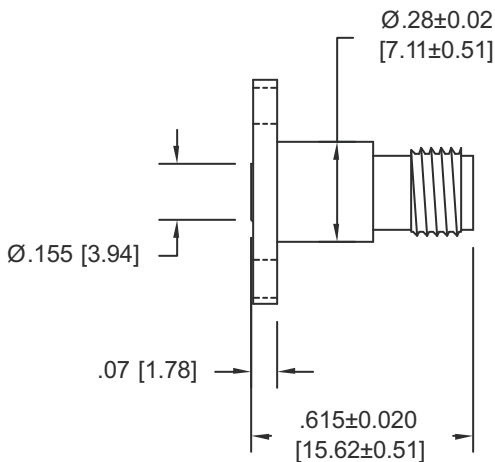
AEROFLEX
A passion for performance.



2-HOLE FLANGE
DETAIL - TYPICAL

Model Number: **8537KF**
2.9mm FEMALE

Model Number: **8537KM**
2.9mm MALE



Mounting Surface Should be Flat per Inmet Application Note APPN-1010 and when Tightening Please Follow Method Outlined therein for Proper High Frequency Performance.

Note: Dimensions in Brackets are Expressed in Millimeters and are for Reference Only.

8537: REV D

AEROFLEX
INMET

Aeroflex / Inmet, Inc. • 300 Dino Drive, Ann Arbor, MI 48103 • U.S.A.
888-244-6638 or 734-426-5553 • FAX: 734-426-5557
www.aeroflex.com/inmet • inmet-sales@eroflex.com