

# DC BLOCKS

SMA, 10 MHz - 18 GHz, Inner Only

## SPECIFICATIONS:

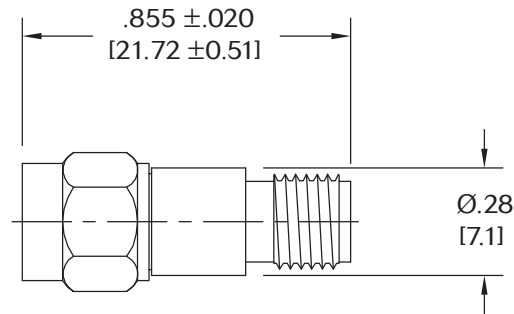
Models: 8055, 8055H

**RoHS**  
Compliant

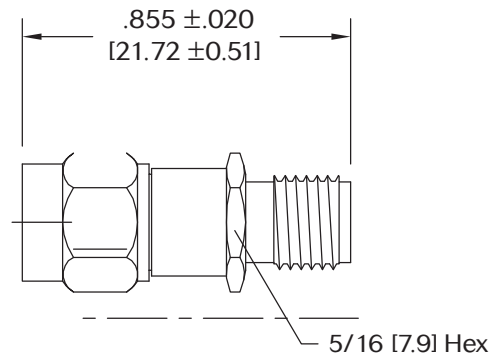
<b>Electrical:</b>	
Frequency Range	10 MHz - 18 GHz
VSWR	1.35:1 Max.
Impedance	50 Ohms
Insertion Loss	0.5 dB Max.
Voltage Rating	200 Volts
Operating Temp. Range	-65°C to +125°C
<b>Mechanical:</b>	
Connectors	Passivated Stainless Steel
Mates with MILSTD-348	
Conductors	Gold Plated Beryllium Copper



Model Number: **8055**  
Male / Female Connectors



Model Number: **8055H**  
Male / Female Connectors



Note: Dimensions in Brackets are Expressed in Millimeters and are for Reference Only.  
Design specifications are subject to change without notice.  
Contact factory for technical specifications before purchasing or use.

8055: REV G



Aeroflex / Inmet, Inc. • 300 Dino Drive, Ann Arbor, MI 48103 • U.S.A.  
888-244-6638 or 734-426-5553 • FAX: 734-426-5557  
www.aeroflex.com/inmet • inmet@aeroflex.com