

# DC BLOCKS

BNC, 10 MHz - 4 GHz, 200 Volts

## SPECIFICATIONS:

Models: 8080, 8081, 8082, 8083, 8804, 8085, 8086, 8087, 8088

**RoHS**  
Compliant

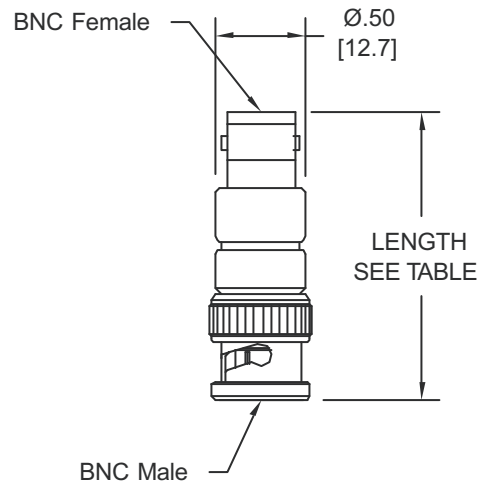
### Electrical:

Frequency Range \_\_\_\_\_ 10 MHz - 4 GHz  
 VSWR \_\_\_\_\_ 1.35:1 Max.  
 Impedance \_\_\_\_\_ 50 Ohms  
 Insertion Loss \_\_\_\_\_ 0.5 dB Max.  
 Voltage Rating \_\_\_\_\_ 200 Volts Max.  
 Operating Temp. Range \_\_\_\_\_ -65°C to +125°C

### Mechanical:

BNC Connectors \_\_\_\_\_ Nickel Plated Brass  
Mates with MILSTD-348  
 Conductors \_\_\_\_\_ Gold Plated Beryllium Copper

**AEROFLEX**  
A passion for performance.



Model Shown: **8080**

**TABLE**

MODEL NUMBER	BLOCK TYPE	CONN. CONFIG.	LENGTH
<b>8080</b>	INNER ONLY	MALE/ FEMALE	1.60 ±.04 [40.6 ±1.0]
<b>8081</b>	OUTER ONLY		
<b>8082</b>	INNER-OUTER		
<b>8083</b>	INNER ONLY	FEMALE/ FEMALE	1.49 ±.04 [37.7 ±1.0]
<b>8084</b>	OUTER ONLY		
<b>8085</b>	INNER-OUTER		
<b>8086</b>	INNER ONLY	MALE/ MALE	1.71 ±.03 [43.5 ±1.0]
<b>8087</b>	OUTER ONLY		
<b>8088</b>	INNER-OUTER		

Note: Dimensions in Brackets are Expressed in Millimeters and are for Reference Only.

8080: REV B

**AEROFLEX**  
INMET

Aeroflex / Inmet, Inc. • 300 Dino Drive, Ann Arbor, MI 48103 • U.S.A.  
 888-244-6638 or 734-426-5553 • FAX: 734-426-5557  
 www.aeroflex.com/inmet • inmet@aeroflex.com