

DC Blocks

SMA, 10 MHz - 4 GHz, 900 Volts

SPECIFICATIONS:

Models: 8529A

RoHS
Compliant



Electrical:

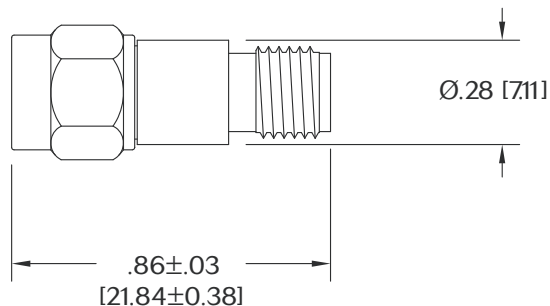
Frequency Range _____ 10 MHz - 4 GHz
Insertion Loss
10 MHz - 2.5 GHz _____ 0.50 dB Max.
2.5 - 4.0 GHz _____ 0.75 dB Max.
Block Type _____ Inner Only
VSWR
10 MHz - 50 MHz _____ 1.35:1 Max.
50 MHz - 1.0 GHz _____ 1.10:1 Max.
1.0 - 4.0 GHz _____ 1.25:1 Max.
Impedance _____ 50 Ohms
Voltage Rating _____ 900 Volts
Operating Temp. Range _____ -65°C to +125°C

Mechanical:

Connectors _____ Passivated Stainless Steel
Mates with MIL-STD-348
Conductors _____ Gold Plated Beryllium Copper

*Typical Insertion Loss from 10 MHz to 1.0 GHz is 0.15 dB
Typical Insertion Loss from 1.0 to 2.5 GHz is 0.40 dB

Model Number: 8529A



Note: Dimensions in Brackets are Expressed in Millimeters and are for Reference Only.
Design, specifications are subject to change without notice. Contact factory for technical specifications before purchasing and/or use.

8529A: REV M



Aeroflex / Inmet, Inc. • 300 Dino Drive, Ann Arbor, MI 48103 • U.S.A.
888-244-6638 or 734-426-5553 • FAX: 734-426-5557
www.aeroflex.com/inmet • inmet-sales@eroflex.com