

# DC BLOCKS, INSIDE

SMA, TNC and Type N, 10 MHz - 18 GHz, 950 Volts

## SPECIFICATIONS:

Models: 8532-SI-HV, 8532-NI-HV, 8532-TI-HV

**RoHS**  
Compliant

**AEROFLEX**  
A passion for performance.

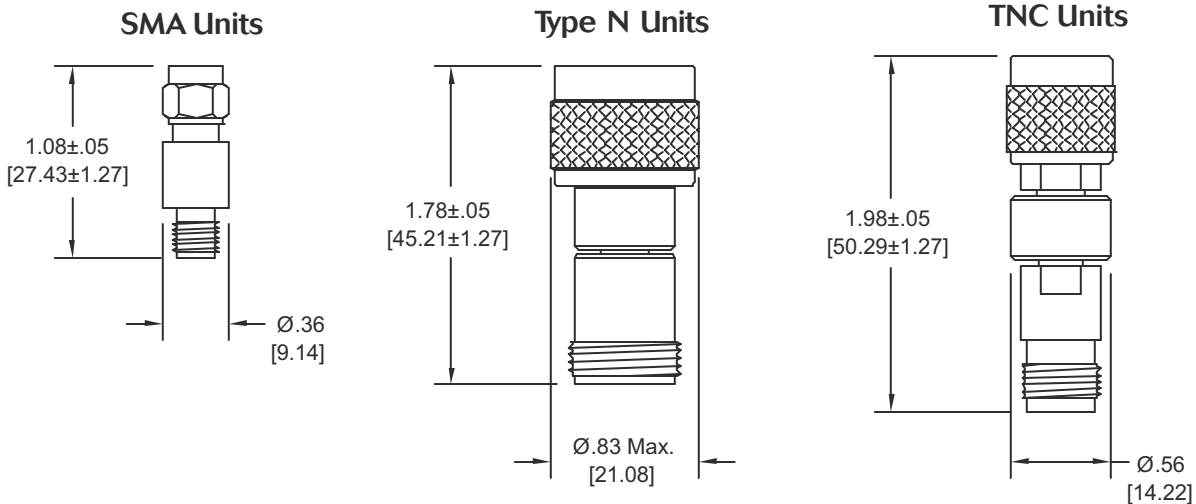
### Electrical:

\* Frequency Range \_\_\_\_\_ 10 MHz - 18 GHz  
 Insertion Loss  
 10 MHz - 4 GHz \_\_\_\_\_ 1.0 dB Max.  
 4 - 18 GHz \_\_\_\_\_ 1.5 dB Max.  
 VSWR \_\_\_\_\_ 1.60:1 Max.  
 Working Voltage \_\_\_\_\_ 950 Volts  
 Impedance \_\_\_\_\_ 50 Ohms  
 Operating Temp Range \_\_\_\_\_ -65°C to +100°C

### Mechanical:

Connectors \_\_\_\_\_ Passivated Stainless Steel  
Mates with MILSTD-348  
 Housing \_\_\_\_\_ Passivated Stainless Steel  
 Conductors \_\_\_\_\_ Gold Plated Beryllium Copper  
 Coupling Nut:  
 SMA and Type N Units \_\_\_\_\_ Passivated Stainless Steel  
 TNC Units \_\_\_\_\_ Nickel Plated Brass

\* Lower frequency economy units are available. Contact factory.



## HOW TO ORDER:

Model Number: **8532-XI-HV**

Base Model Number: 8532 (High Voltage Designation)

Connector Series: XI (DC Block Type)

N = Type N  
 S = SMA  
 T = TNC

I = Inner Only

### Ordering Examples:

Model Number: **8532-NI-HV**  
 Inner Only, Type N Male/Female

Model Number: **8532-SI-HV**  
 Inner Only, SMA Male/Female

Model Number: **8532-TI-HV**  
 Inner Only, TNC Male/Female

Note: Dimensions in Brackets are Expressed in Millimeters and are for Reference Only.  
 Design, specifications are subject to change without notice. Contact factory for technical specifications before purchasing and/or use.

8532-XI: REV E

**AEROFLEX**  
INMET

Aeroflex / Inmet, Inc. • 300 Dino Drive, Ann Arbor, MI 48103 • U.S.A.  
 888-244-6638 or 734-426-5553 • FAX: 734-426-5557  
 www.aeroflex.com/inmet • inmet-sales@eroflex.com