

DC BLOCKS

Type F, 10 MHz - 2 GHz, 200 Volts

SPECIFICATIONS:

Models: 8174, 8175, 8176

RoHS
Compliant

AEROFLEX
A passion for performance.

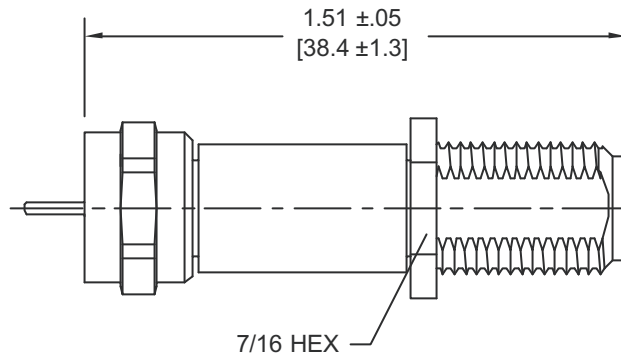
Electrical:

Frequency Range _____ 10 MHz - 2 GHz
VSWR _____ 1.35:1 Max.
Impedance _____ 75 Ohms
Insertion Loss _____ 0.5 dB Max.
Voltage Rating _____ 200 Volts
Operating Temp. Range _____ -55°C to +80°C

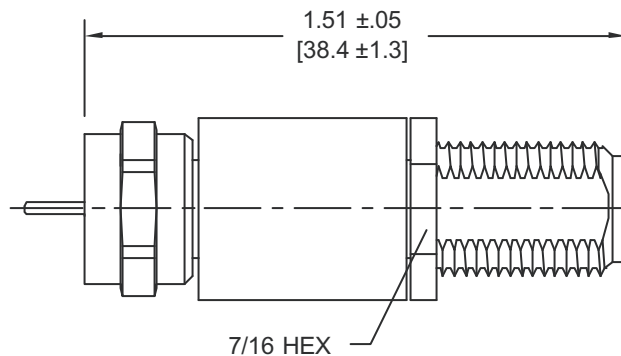
Mechanical:

Connectors _____ Bright Acid Tin &
Nickel Plated Brass
Conductors _____ Gold & Nickel Plated Brass
Barrels
Inner Only _____ Passivated Stainless Steel
Outer & Inner/Outer _____ High Temperature Plastic

Model Number: 8174
Inner Only



Model Number: 8175
Outer Only



Model Number: 8176
Inner / Outer



Note: Dimensions in Brackets are Expressed in Millimeters and are for Reference Only.

8176: REV D

AEROFLEX
INMET

Aeroflex / Inmet, Inc. • 300 Dino Drive, Ann Arbor, MI 48103 • U.S.A.
888-244-6638 or 734-426-5553 • FAX: 734-426-5557
www.aeroflex.com/inmet • inmet@aeroflex.com