

Varactor Diodes

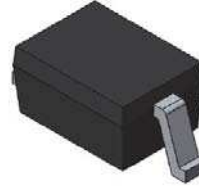
K3313 Series

DESCRIPTION

The K3313 silicon hyperabrupt junction varactor diode is designed for use in Voltage Controlled Oscillators (VCOs) with a low tuning voltage operation.

Features

- Compact 1.27 x 1.7 x 0.09 mm Surface Mount Package
- Uniform Capacitance / Temperature Coefficient
- Available on Tape & Reel



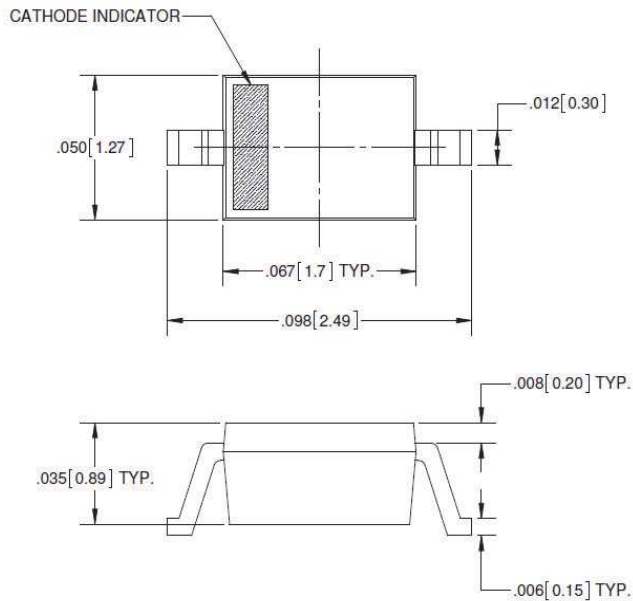
Maximum Ratings

Rating	Limits	Units
$V_b @ -10 \mu A$	12 Minimum	V
Operating Temperature	-55 to +125	°C
Storage Temperature	-65 to +200	°C
ESD & MSL Ratings	Class 0 (Human Body Model) & MSL1	

Electrical Characteristics $T_A = +25 \text{ }^\circ\text{C}$

Symbol	Test Conditions		K3313			Units
			minimum	typical	maximum	
VB	IR = -10 μ A	F = DC	12	--	--	V
Ct	VR = -1V	F=1 MHz	20	--	22	pF
Ct	VR = -2.5V	F=1 MHz	8.5	--	9.5	pF
Ct	VR = -4V	F=1 MHz	4	--	4.6	pF
VF	IF=100mA	F = DC	--	--	1.0	V

Outline Drawings (SOD-323)



Aeroflex / Metelics, Inc.

ISO 9001:2008 certified companies

54 Grenier Field Road, Londonderry, NH 03053
Tel: (603) 641-3800
Sales: (888) 641-SEMI (7364)
Fax: (603)-641-3500

975 Stewart Drive, Sunnyvale, CA 94085
Tel: (408) 737-8181
Fax: (408) 733-7645



www.aeroflex.com/metelics

metelics-sales@aeroflex.com

Aeroflex / Metelics, Inc. reserves the right to make changes to any products and services herein at any time without notice. Consult Aeroflex or an authorized sales representative to verify that the information in this data sheet is current before using this product. Aeroflex does not assume any responsibility or liability arising out of the application or use of any product or service described herein, except as expressly agreed to in writing by Aeroflex; nor does the purchase, lease, or use of a product or service from Aeroflex convey a license under any patent rights, copyrights, trademark rights, or any other of the intellectual rights of Aeroflex or of third parties.

Copyright 2011 Aeroflex / Metelics. All rights reserved.



Our passion for performance is defined by three attributes represented by these three icons: solution-minded, performance-driven and customer-focused.