

THE INFORMATION CONTAINED HEREIN IS CONSIDERED "PROPRIETARY" TO BEL FUSE INC. AND SHALL NOT BE COPIED, REPRODUCED OR DISCLOSED WITHOUT THE WRITTEN APPROVAL OF BEL FUSE INC.

LED POLARITY			
PIN 12	PIN 11	PIN 10	COLOR
-	+	/	GREEN
/	+	-	YELLOW

ELECTRICAL CHARACTERISTICS @ 25°C

TURNS RATIO

TP1	1CT : 1CT ±2%
TP2	1CT : 1CT ±2%
TP3	1CT : 1CT ±2%
TP4	1CT : 1CT ±2%

QCL @ 100kHz/100mVRMS

8mA DC BIAS 350µH MIN.

INS. LOSS

0.1MHz TO 1MHz	-1.1 dB MAX
1MHz TO 65MHz	-0.5 dB MAX
65MHz TO 100MHz	-0.8 dB MAX
100MHz TO 125MHz	-1.2 dB MAX

RET. LOSS (MIN)

0.5MHz-40MHz	-18 dB
40MHz-100MHz	-12+20LOG(f/80MHz) dB

CM TO CM REJ

100kHz - 100MHz -30 dB MIN

CM TO DM REJ

100kHz - 100MHz -35 dB MIN

HIPOT (Isolation Voltage):

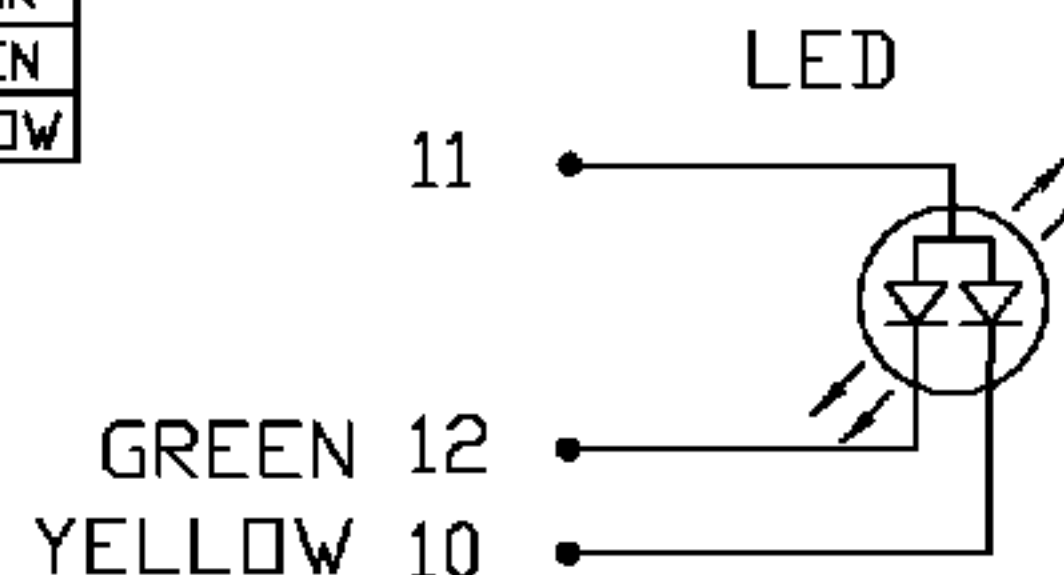
1500 Vrms

LED

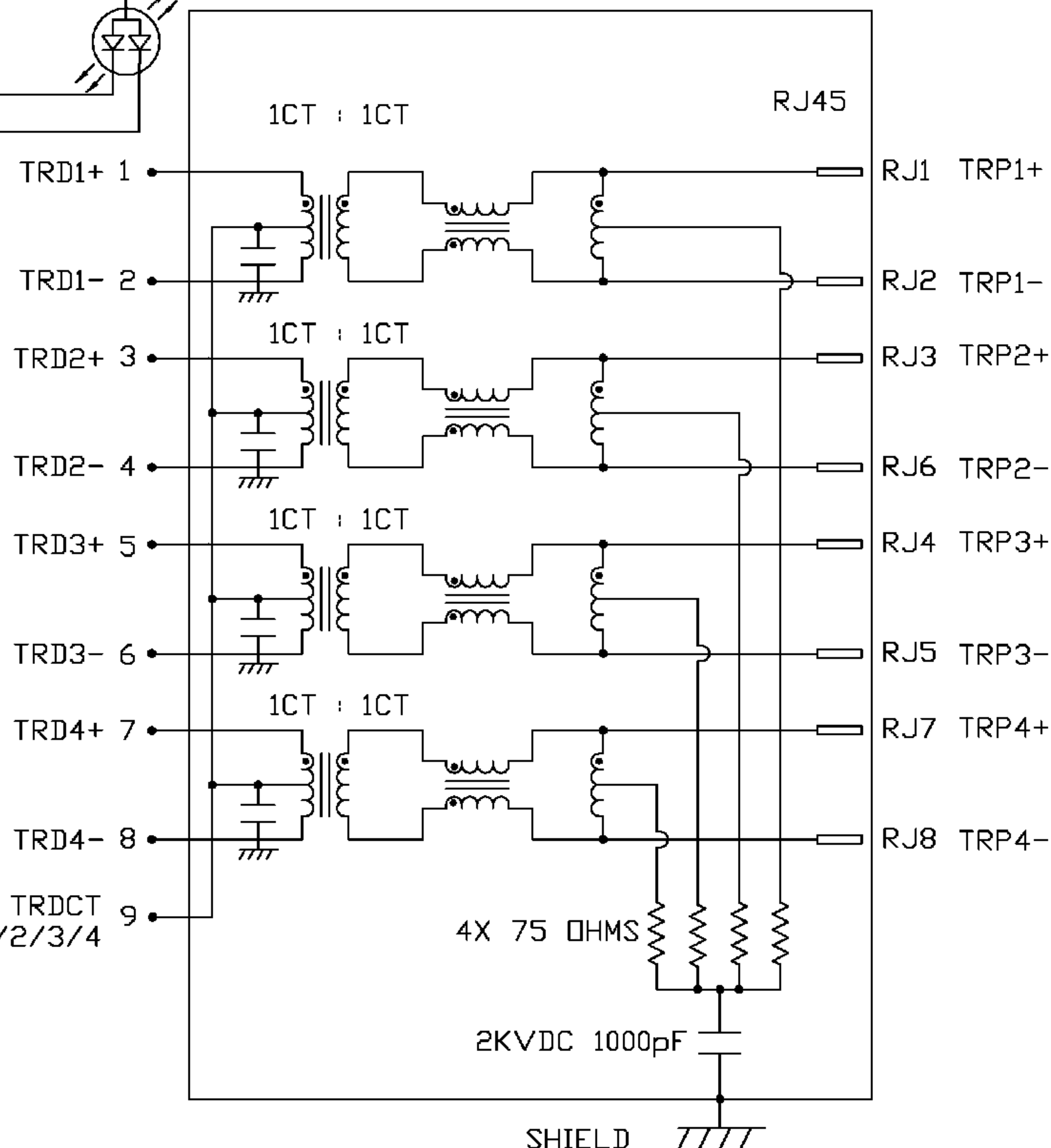
VF (FORWARD VOLTAGE)	IF=20mA	GREEN	2.2V TYP.
		YELLOW	2.1V TYP.
λD (DOMINANT WAVELENGTH)	IF=20mA	YELLOW	565nm TYP.
		GREEN	590nm TYP.

NOTES:

SCHEMATIC & ELECTRICAL CHARACTERISTICS ARE IDENTICAL FOR PORT 1 & PORT 2.



SCHEMATIC FOR SINGLE PORT



ORIGINATED BY	DATE	TITLE
CHUNG	04-25-06	2X1 gigabit MagJack® (with LED)
DRAWN BY	DATE	
DE	04-25-06	

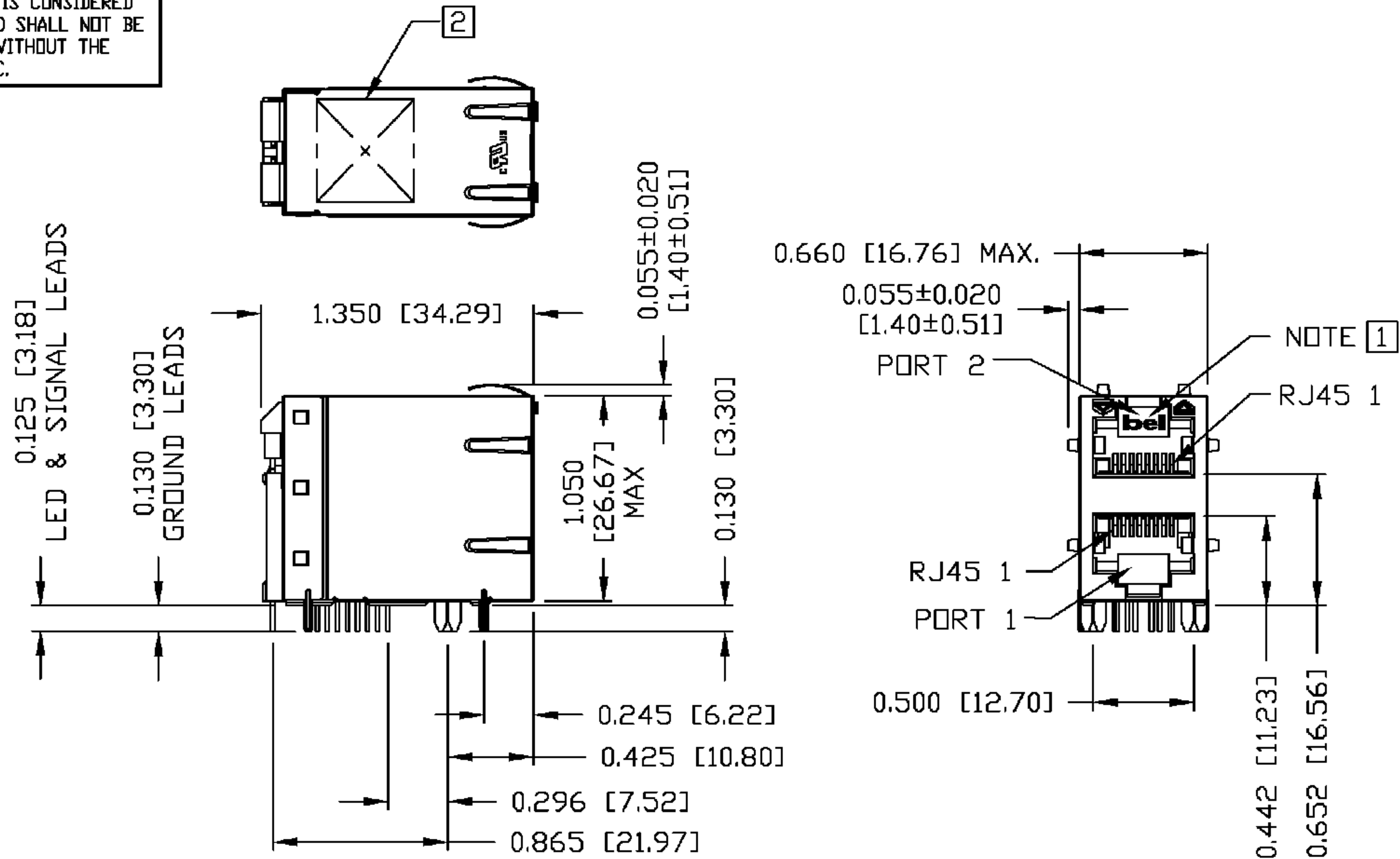
PART NO. / DRAWING NO.	STANDARD DIM. TOL. IN INCH	[] METRIC DIM. AS REFERENCE
0843-2C1T-33	.X	UNIT : INCH [mm] REV. : G
FILE NAME	.XX	SCALE : N/A SIZE : A4
08432C1T33G.DWG	.XXX	PAGE : 2

FILE NAME
08432C1T33G.DWG

STANDARD DIM. TOL. IN INCH	[] METRIC DIM. AS REFERENCE
.X	UNIT : INCH [mm] REV. : G
.XX	SCALE : N/A SIZE : A4
.XXX	PAGE : 2



THE INFORMATION CONTAINED HEREIN IS CONSIDERED "PROPRIETARY" TO BEL FUSE INC. AND SHALL NOT BE COPIED, REPRODUCED OR DISCLOSED WITHOUT THE WRITTEN APPROVAL OF BEL FUSE INC.





NOTES:

- PLASTIC HOUSING: THERMOPLASTIC PBT
- CONTACT PLATING: 50 MICRO-INCH HARD GOLD PLATING
- OUTPUT PINS: TIN-COATED COPPER WIRE, DIA 0.018 INCH.
- SOLDERABILITY: PER MIL STD. 202, METHOD 208.
- METAL SHIELD: NICKEL OR TIN PLATED COPPER ALLOY.
(ALL NICKEL PLATED GROUND LEADS ARE SOLDER DIPPED)

[2] MARK PART WITH MFG LOGO, MFG NAME, PART NUMBER, AND DATE CODE.

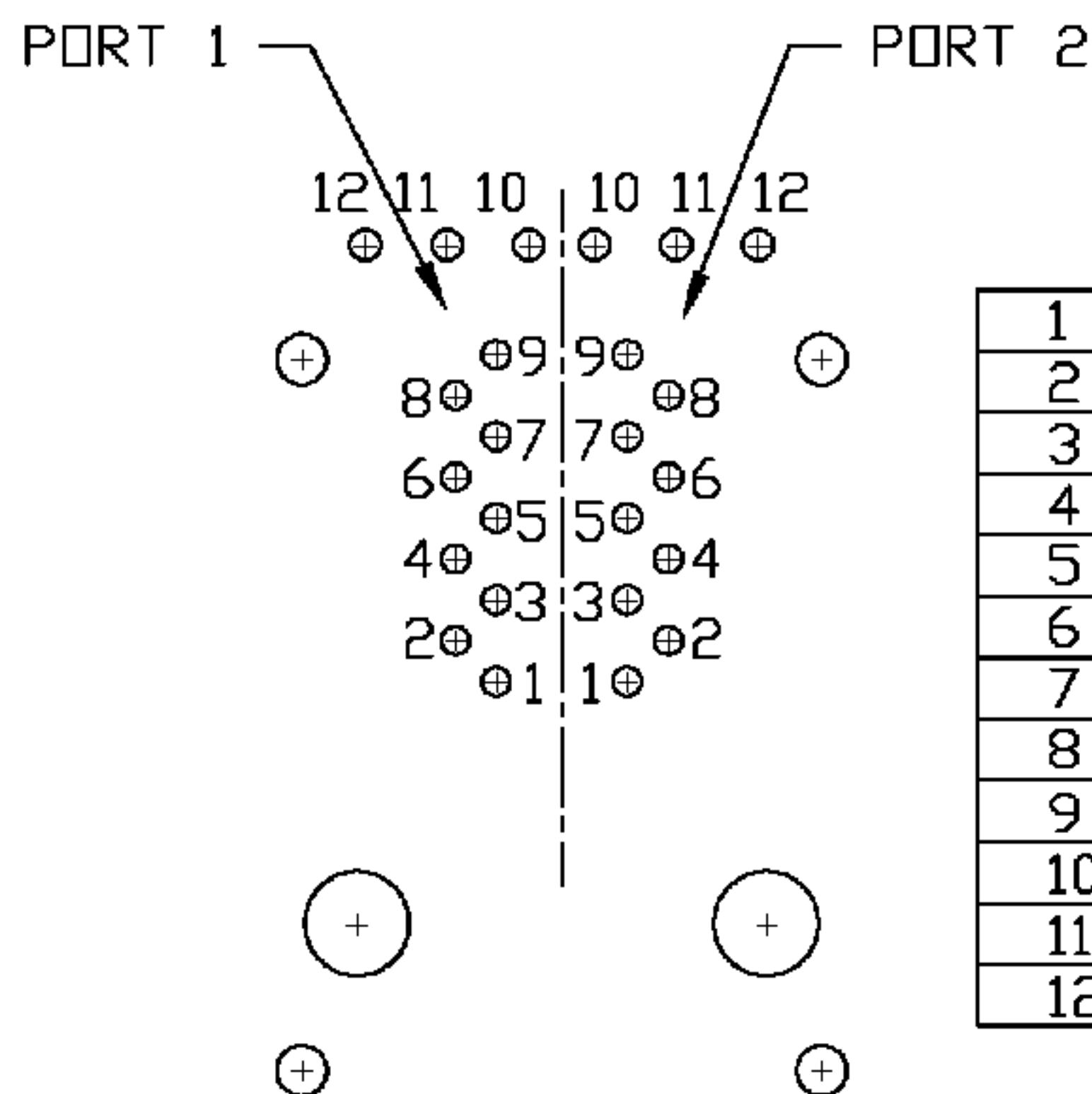
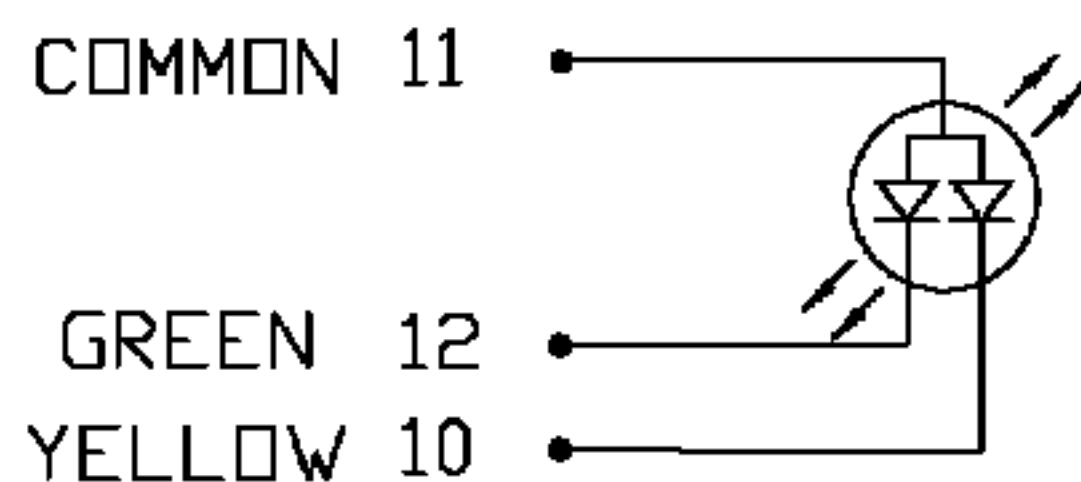
[1] JACK CAVITY CONFORMS TO FCC RULES AND REGULATIONS.

c  us UL RECOGNIZED - FILE #E196366 AND E169987.

ORIGINATED BY ANTON/BILL	DATE 04-25-06	TITLE 2X1 gigabit MagJack® (with LED)	PART NO. / DRAWING NO. 0843-2C1T-33		STANDARD DIM. TOL. IN INCH		[] METRIC DIM. AS REFERENCE		 COMPONENTS FOR A CONNECTED PLANET
			FILE NAME 08432C1T33G.DWG		.X		UNIT : INCH [mm]	REV. : G	
DRAWN BY XIU	DATE 04-25-06			.XX		SCALE : N/A	SIZE : A4		
				.XXX	±0.010			PAGE : 3	

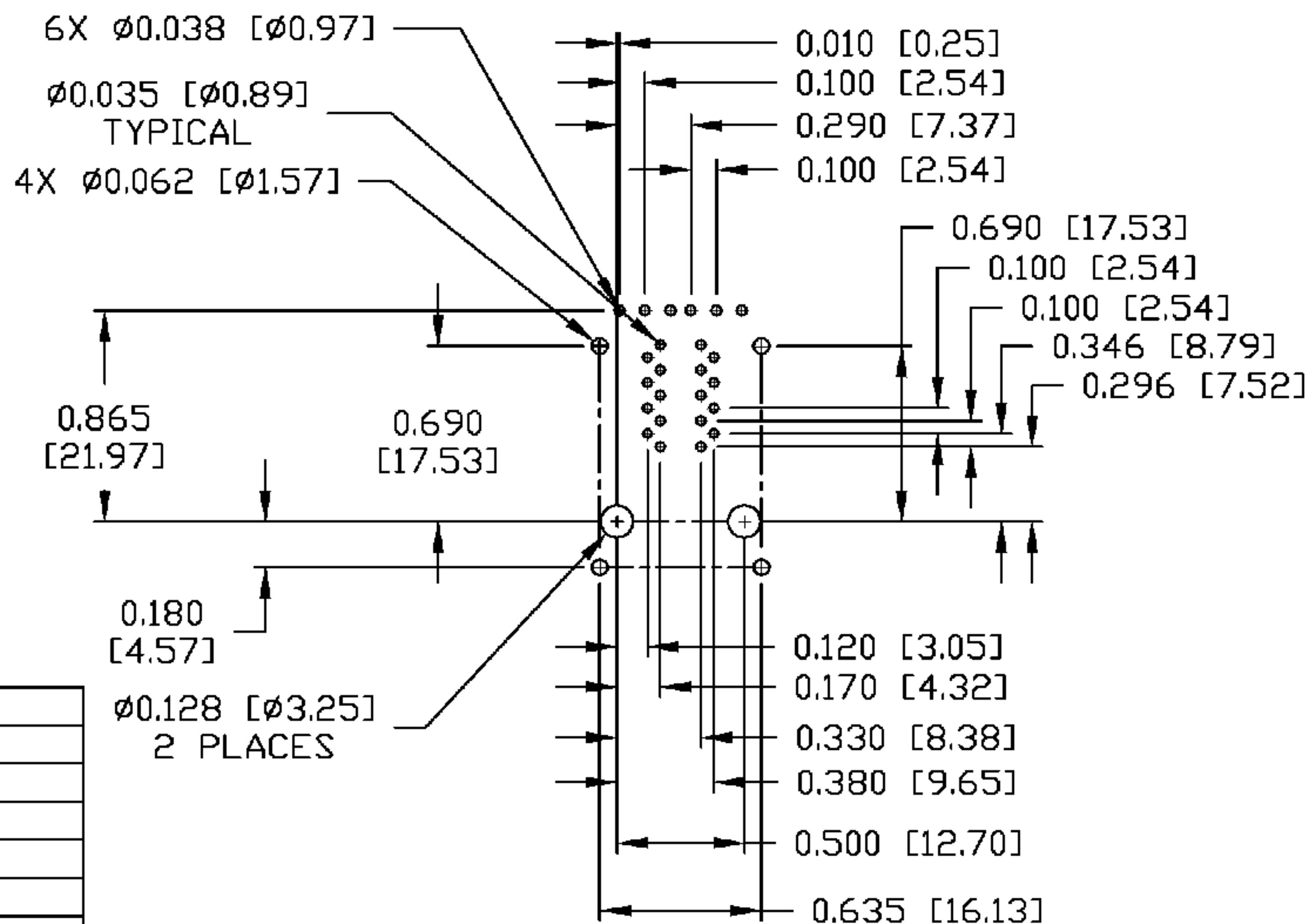
THE INFORMATION CONTAINED HEREIN IS CONSIDERED "PROPRIETARY" TO BEL FUSE INC. AND SHALL NOT BE COPIED, REPRODUCED OR DISCLOSED WITHOUT THE WRITTEN APPROVAL OF BEL FUSE INC.

LED CONFIGURATION



1	TRD 1+
2	TRD 1-
3	TRD 2+
4	TRD 2-
5	TRD 3+
6	TRD 3-
7	TRD 4+
8	TRD 4-
9	TRCT 1/2/3/4
10	YELLOW LED CATHODE
11	COMMON ANODE
12	GREEN LED CATHODE

PIN-OUT INFORMATION
(COMPONENT SIDE VIEW)

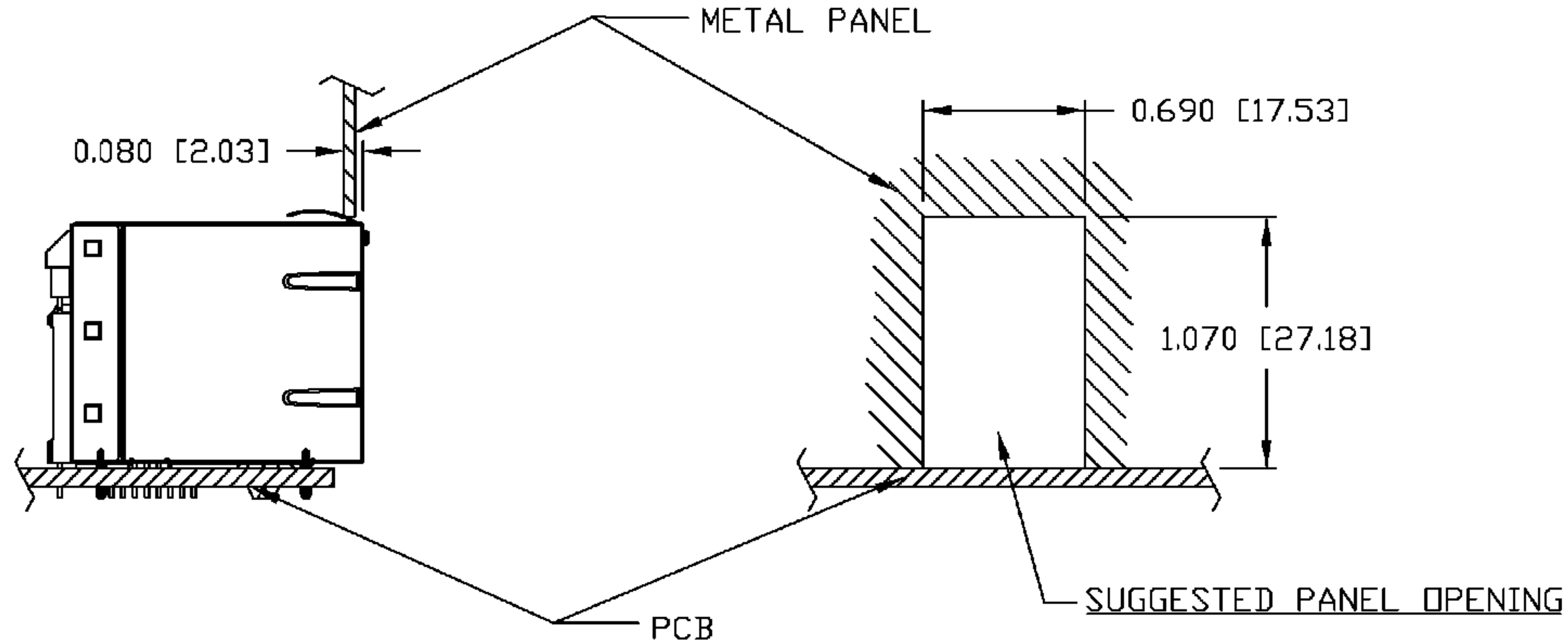


SUGGESTED FOOTPRINT
(COMPONENT SIDE VIEW)

ORIGINATED BY ANTON/BILL	DATE 04-25-06	TITLE 2X1 gigabit MagJack® (with LED)	PART NO. / DRAWING NO. 0843-2C1T-33	STANDARD DIM. TOL. IN INCH	[] METRIC DIM. AS REFERENCE	 COMPONENTS FOR A CONNECTED PLANET
	DRAWN BY XIU		DATE 04-25-06	FILE NAME 08432C1T33G.DWG	.X .XX .XXX	

THE INFORMATION CONTAINED HEREIN IS CONSIDERED "PROPRIETARY" TO BEL FUSE INC. AND SHALL NOT BE COPIED, REPRODUCED OR DISCLOSED WITHOUT THE WRITTEN APPROVAL OF BEL FUSE INC.

SUGGESTED PANEL OPENING



NOTE:

THE DISTANCE OF PANEL INSIDE SURFACE RELATIVE TO FRONT SURFACE OF PART IS ONLY A SUGGESTION. IN CASE THIS DISTANCE IS DIFFERENT, THE REQUIRED PANEL OPENING DIMENSIONS CHANGE ACCORDINGLY.

PACKING INFORMATION

PACKING TRAY: 0200-0148-36 (TOP)
0200-0148-34 (BOTTOM)

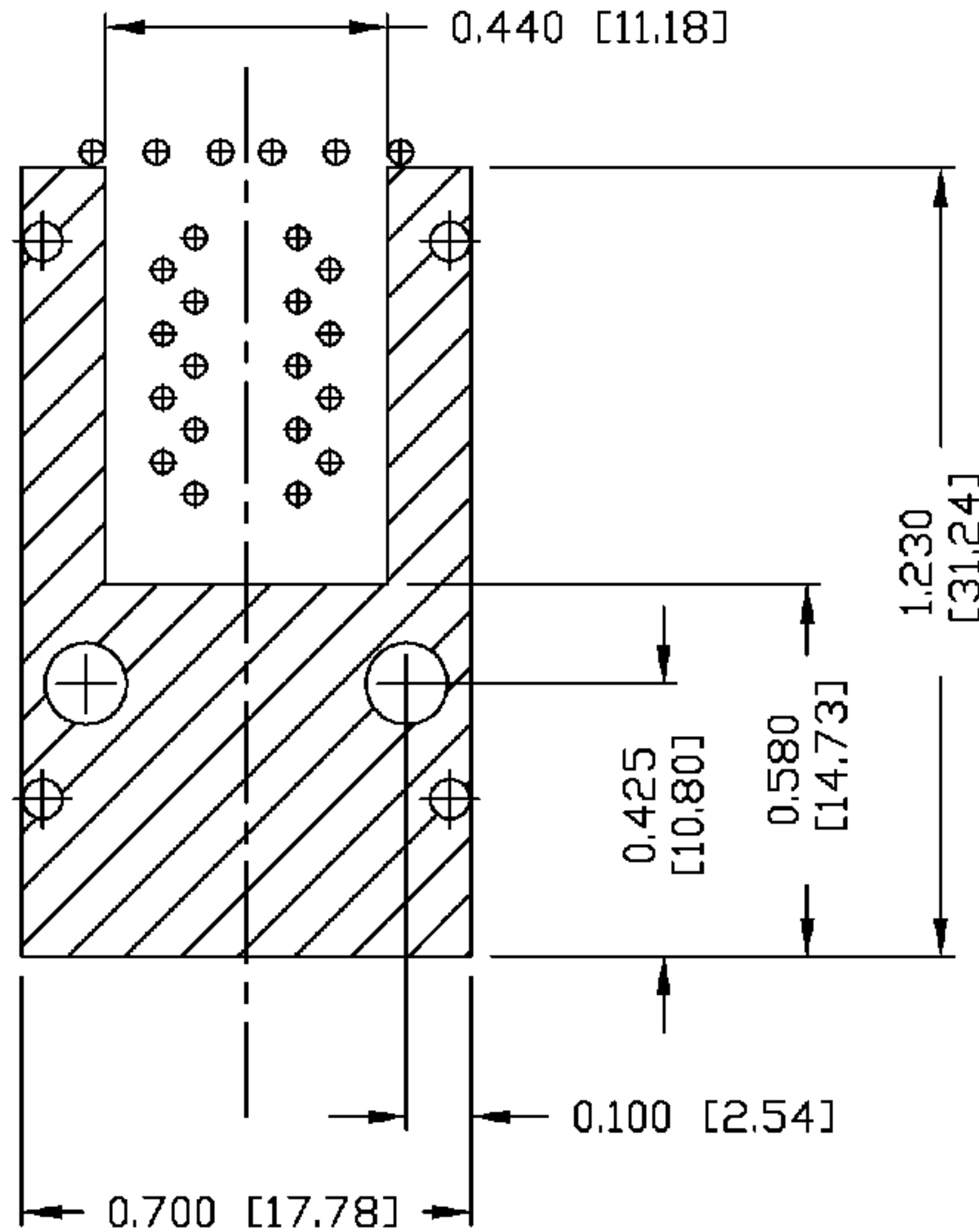
PACKING QUANTITY: 40 PCS FINISHED GOODS PER TRAY
6 TRAYS (240 PCS FINISHED GOODS) PER CARTON BOX.

NOTE: CARDBOARD ARE PLACED BETWEEN LAYERS OF PACKING TRAY INSIDE CARTON BOX.
(INCLUDE THE UPPERMOST AND LOWEREST TRAY)

ORIGINATED BY	DATE	TITLE	PART NO. / DRAWING NO.	STANDARD DIM. TOL. IN INCH	[] METRIC DIM. AS REFERENCE	
ANTON/BILL	04-25-06	2X1 gigabit MagJack® (with LED)	0843-2C1T-33	.X	UNIT : INCH [mm]	REV. : G
DRAWN BY	DATE		FILE NAME	.XX	SCALE : N/A	SIZE : A4
XIU	04-25-06		08432C1T33G.DWG	.XXX	±0.004	PAGE : 5



THE INFORMATION CONTAINED HEREIN IS CONSIDERED "PROPRIETARY" TO BEL FUSE INC. AND SHALL NOT BE COPIED, REPRODUCED OR DISCLOSED WITHOUT THE WRITTEN APPROVAL OF BEL FUSE INC.



NOTES:

THE SHADED AREA ON THE CUSTOMER BOARD ARE RECOMMENDED TO BE CLEAR OFF ANY VIA HOLE OR COMPONENT PAD.

ORIGINATED BY	DATE	TITLE	PART NO. / DRAWING NO.	STANDARD DIM. TOL. IN INCH	[] METRIC DIM. AS REFERENCE
ANTON/BILL	04-25-06	2X1 gigbit MagJack ® (with LED)	0843-2C1T-33	.X	UNIT : INCH [mm] REV. : G
DRAWN BY	DATE		FILE NAME	.XX	SCALE : N/A SIZE : A4
XIU	04-25-06		08432C1T33G.DWG	.XXX	±0.004