

Pin Diode

MMP7098-140



DESCRIPTION

The Aeroflex / Metelics' 2 Kilovolt MMP7098-140 diodes are designed for high power switching applications. These devices are constructed with Aeroflex / Metelics' proprietary glass passivation process in order to hermetically seal any exposed I-region or junction areas.



Features

- Reverse Voltage up to 2000 volts
- Designed for use in Kilowatt switches
- Hermetically sealed package



Maximum Ratings @ +25 °C (unless noted)

Rating	Limits	Units
Operating Temperature, T_{OPR}	-65 to +165	°C
Storage Temperature, T_{STG}	-65 to +200	°C
Device Dissipation	50	W
Electrostatic Discharge (ESD) & MSL Ratings	Class 2 (Human Body Model) & MSL 1	

Applications

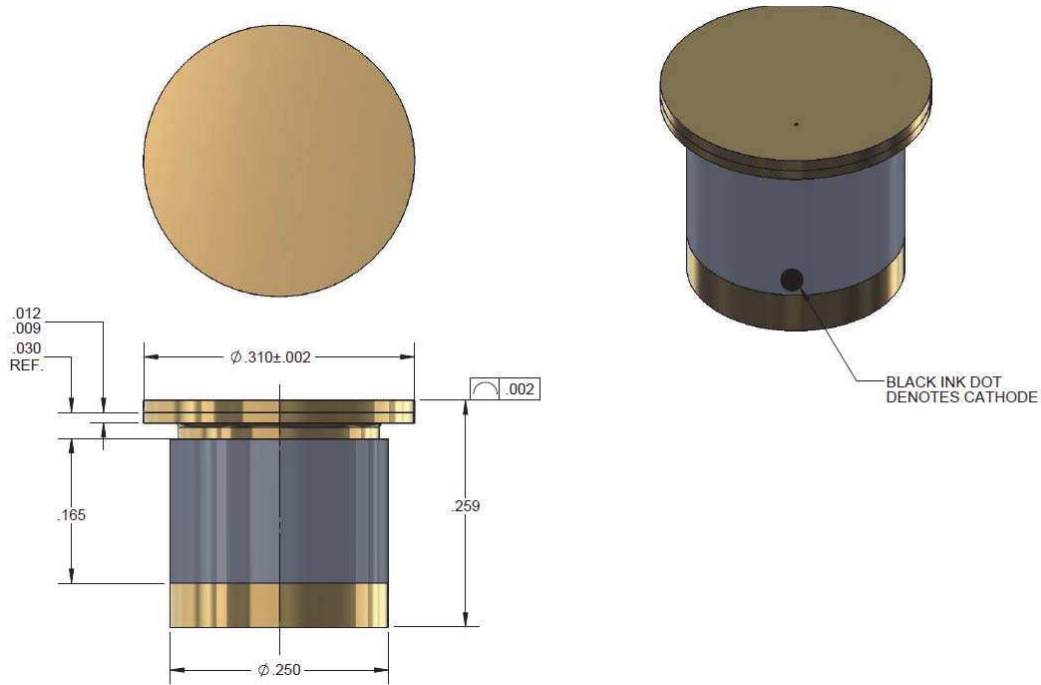
The MMP7098-140 diode is a low resistance, high power dissipation device intended for use in high power switch applications. Packaged in a metal-ceramic hermetically sealed package, the MMP7098-140 diodes are specially designed to withstand high voltage and current.

Electrical Characteristics $T_{CASE} = +25\text{ °C}$

Part Number	Reverse Voltage V_B	Total Capacitance C_T	Lifetime T_L	Series Resistance R_S	Thermal Resistance θ_{jc}
	$I_R = 10\ \mu A$	$V_R = 100\ V,$ $f = 1\ MHz$	$I_F = 10\ mA,$ $I_R = 6\ mA$	$I_F = 500\ mA,$ $f = 4\ MHz$	
	Volts	pF	μs	Ohm	°C/W
	Minimum	Maximum	Minimum	Maximum	Typical
MMP7098-140	2000	3.2	10	0.2	1.2



Outline Drawing (CS-140)



Aeroflex / Metelics, Inc.

54 Grenier Field Road, Londonderry, NH 03053
Tel: (603) 641-3800
Sales: (888) 641-SEMI (7364)
Fax: (603)-641-3500

975 Stewart Drive, Sunnyvale, CA 94085
Tel: (408) 737-8181
Fax: (408) 733-7645

www.aeroflex.com/metelics

metelics-sales@aeroflex.com

Aeroflex / Metelics, Inc. reserves the right to make changes to any products and services herein at any time without notice. Consult Aeroflex or an authorized sales representative to verify that the information in this data sheet is current before using this product. Aeroflex does not assume any responsibility or liability arising out of the application or use of any product or service described herein, except as expressly agreed to in writing by Aeroflex; nor does the purchase, lease, or use of a product or service from Aeroflex convey a license under any patent rights, copyrights, trademark rights, or any other of the intellectual rights of Aeroflex or of third parties.

Copyright 2012 Aeroflex / Metelics. All rights reserved.

ISO 9001:2008 certified companies



Our passion for performance is defined by three attributes represented by these three icons: solution-minded, performance-driven and customer-focused.