



# PNP Darlington Power Silicon Transistor

## 2N6298 & 2N6299



### Features

- Available in JAN, JANTX, and JANTXV per MIL-PRF-19500/540
- TO-66 (TO-213AA) Package



### Maximum Ratings

Ratings	Symbol	2N6298	2N6299	Units
Collector - Emitter Voltage	$V_{CEO}$	60	80	Vdc
Collector - Base Voltage	$V_{CBO}$	60	80	Vdc
Emitter - Base Voltage	$V_{EBO}$	5.0		Vdc
Base Current	$I_B$	120		mAdc
Collector Current	$I_C$	8.0		Adc
Total Power Dissipation @ $T_C = +25\text{ }^\circ\text{C}$ @ $T_C = +100\text{ }^\circ\text{C}$	$P_T$	64 32		W W
Operating & Storage Temperature Range	$T_{op}, T_{stg}$	-65 to +175		$^\circ\text{C}$

### Thermal Characteristics

Characteristics	Symbol	Maximum	Units
Thermal Resistance, Junction-to-Case	$R_{\theta JC}$	2.33	$^\circ\text{C/W}$

1) Derate linearly @ 0.428 mW/ $^\circ\text{C}$  for  $T_C > +25\text{ }^\circ\text{C}$

### Electrical Characteristics ( $T_C = 25\text{ }^\circ\text{C}$ unless otherwise noted)

OFF Characteristics	Symbol	Minimum	Maximum	Units
Collector - Emitter Breakdown Voltage $I_C = 100\text{ mAdc}$ 2N6298 2N6299	$V_{(BR)CEO}$	60 80	---	Vdc
Collector - Emitter Cutoff Current $V_{CE} = 30\text{ Vdc}$ $V_{CE} = 40\text{ Vdc}$ 2N6298 2N6299	$I_{CEO}$	---	0.5 0.5	mAdc
Collector - Emitter Cutoff Current $V_{CE} = 60\text{ Vdc}, V_{BE} = 1.5\text{ Vdc}$ $V_{CE} = 80\text{ Vdc}, V_{BE} = 1.5\text{ Vdc}$ 2N6298 2N6299	$I_{CEX}$	---	10 10	$\mu\text{Adc}$
Emitter - Base Cutoff Current $V_{EB} = 5.0\text{ Vdc}$	$I_{EBO}$	---	2.0	mAdc

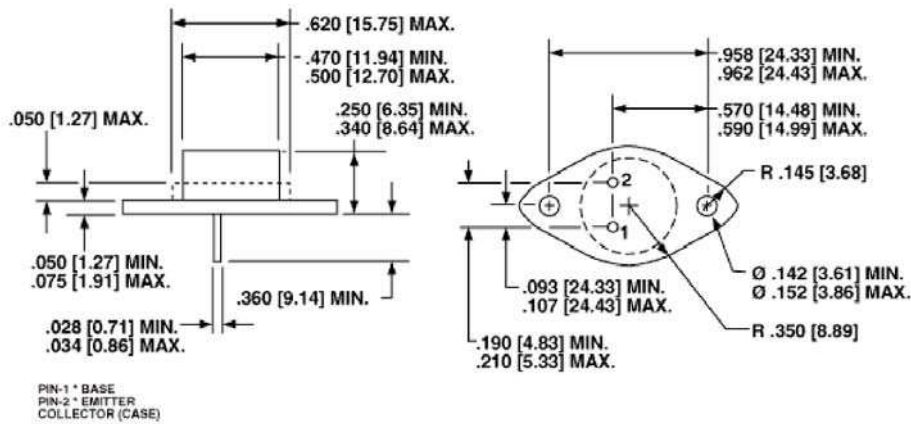


**Electrical Characteristics -con't**

<b>ON Characteristics (1)</b>				
	Symbol	Minimum	Maximum	Unit
Forward Current Transfer Ratio $I_C = 1.0 \text{ Adc}, V_{CE} = 3.0 \text{ Vdc}$ $I_C = 4.0 \text{ Adc}, V_{CE} = 3.0 \text{ Vdc}$ $I_C = 8.0 \text{ Adc}, V_{CE} = 3.0 \text{ Vdc}$	$H_{FE}$	500 750 100	18,000	
Collector - Emitter Saturation Voltage $I_C = 4.0 \text{ Adc}, I_B = 16 \text{ mAdc}$ $I_C = 8.0 \text{ Adc}, I_B = 80 \text{ mAdc}$	$V_{CE(sat)}$	--- ---	2.0 2.0	Vdc
Base - Emitter Saturation Voltage $I_C = 8.0 \text{ Adc}, I_B = 80 \text{ mVdc}$	$V_{BE(sat)}$	---	4.0	Vdc
Base-Emitter Voltage $I_C = 4.0 \text{ Adc}, V_{CE} = 3.0 \text{ Vdc}$	$V_{BE(on)}$	---	2.8	Vdc
<b>DYNAMIC Characteristics</b>				
Magnitude of Common Emitter Small-Signal Short-Circuit Forward Current Transfer Ratio $I_C = 3.0 \text{ Adc}, V_{CE} = 3.0 \text{ Vdc}, f = 1.0 \text{ MHz}$	$ h_{fe} $	25	350	
Small-Signal Short-Circuit Forward Current Transfer Ratio $I_C = 3.0 \text{ Adc}, V_{CE} = 3.0 \text{ Vdc}, f = 1.0 \text{ kHz}$	$h_{fe}$	300	---	
Output Capacitance $V_{CB} = 10 \text{ Vdc}, I_E = 0, 100 \text{ kHz} \leq f \leq 1.0 \text{ MHz}$	$C_{obo}$	---	200	pF
<b>Switching Characteristics</b>				
Turn-on Time $V_{CC} = 30 \text{ Vdc}, I_C = 4.0 \text{ Adc}, I_{B1} = 16 \text{ mAdc}$	$t_{on}$	---	2.0	$\mu\text{s}$
Turn-Off Time $V_{CC} = 30 \text{ Vdc}, I_C = 4.0 \text{ Adc}, I_{B1} = -I_{B2} = 16 \text{ mAdc}$	$t_{off}$	---	8.0	$\mu\text{s}$
<b>SAFE OPERATING AREA</b>				
<b>DC Tests:</b>	$T_C = +25 \text{ }^\circ\text{C}, 1 \text{ Cycle}, t = 1.0 \text{ s}$			
<b>Test 1:</b>	$V_{CE} = 8.0 \text{ Vdc}, I_C = 8.0 \text{ Adc}$			
<b>Test 2:</b>	$V_{CE} = 20 \text{ Vdc}, I_C = 2.0 \text{ Adc}$			
<b>Test 3:</b>	$V_{CE} = 60 \text{ Vdc}, I_C = 100 \text{ mAdc}$	2N6298		
	$V_{CE} = 80 \text{ Vdc}, I_C = 100 \text{ mAdc}$	2N6299		

(1) Pulse Test: Pulse Width = 300  $\mu\text{s}$ , Duty Cycle  $\leq 2.0\%$ .

Outline Drawing



NOTE: Dimensions in Inches [mm]

**Aeroflex / Metelics, Inc.**

975 Stewart Drive,  
Sunnyvale, CA 94085  
Tel: (408) 737-8181  
Fax: (408) 733-7645

Sales: 888-641-SEMI (7364)

**Hi-Rel Components**

9 Hampshire Street,  
Lawrence, MA 01840  
Tel: (603) 641-3800  
Fax: (978) 683-3264

[www.aeroflex.com/metelics-hirelcomponents](http://www.aeroflex.com/metelics-hirelcomponents)

54 Grenier Field Road,  
Londonderry, NH 03053  
Tel: (603) 641-3800  
Fax: (603)-641-3500

ISO 9001: 2008 certified companies

[www.aeroflex.com/metelics](http://www.aeroflex.com/metelics)      [metelics-sales@eroflex.com](mailto:metelics-sales@eroflex.com)

Aeroflex / Metelics, Inc. reserves the right to make changes to any products and services herein at any time without notice. Consult Aeroflex or an authorized sales representative to verify that the information in this data sheet is current before using this product. Aeroflex does not assume any responsibility or liability arising out of the application or use of any product or service described herein, except as expressly agreed to in writing by Aeroflex; nor does the purchase, lease, or use of a product or service from Aeroflex convey a license under any patent rights, copyrights, trademark rights, or any other of the intellectual rights of Aeroflex or of third parties.

Copyright 2011 Aeroflex / Metelics. All rights reserved.



Our passion for performance is defined by three attributes represented by these three icons: solution-minded, performance-driven and customer-focused.