

DS Series Single Junction Drop-in Isolator

✓ **RoHS**

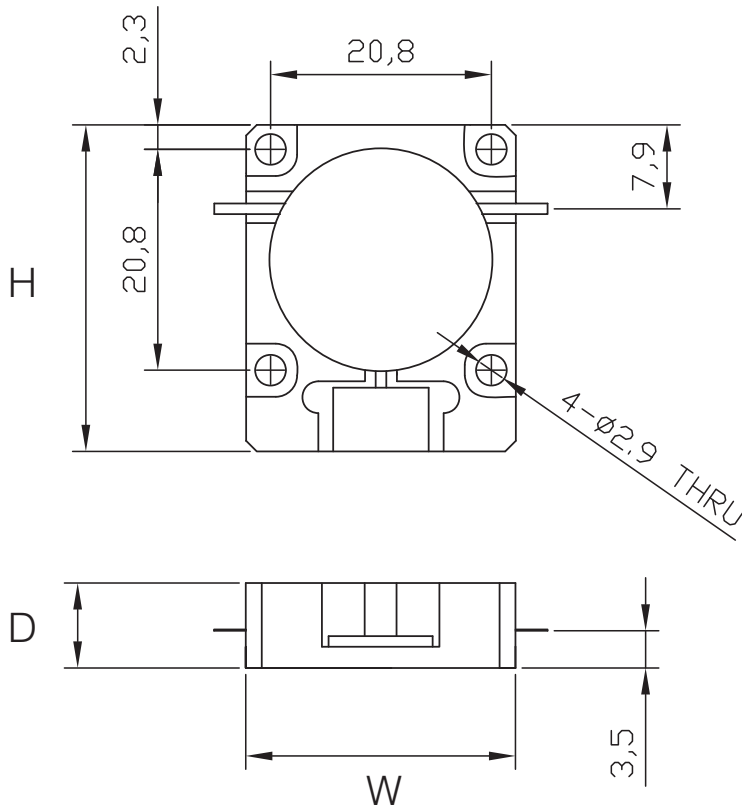
AEROFLEX
A passion for performance.

Features:

- Superior performance over industry standards
- Integration with other Aeroflex products available
- Test results supplied with samples
- Low cost
- Custom products available for high volume applications
- Good temperature stability
- Precision test fixture available.
- Fully RoHS compliant



Outline Drawing:



Note:

1. All dimensions are in mm.
2. Refer to Specification Table for specific H, W, D dimensions

中国南京江宁技术开发区双龙大道 1706 号 B 厂房 1 层西侧邮编: 211100

+86 25 52122735 • Fax: +86 25 52122775 • www.aeroflex.com/microwave • Nanjing.sales@eroflex.com

Revision Date: 12/15/06

Specifications:

Aeroflex Part Number	Frequency (MHz)	Isolation (dB) MIN	Insertion Loss (dB) MAX	Return Loss (dB) MAX	VSWR MAX	Working Temp (°C)	Physical Dimensions (mm)		
							H	W	D
DS41131	400 - 420	20	0.4	20	1.22:1	-20~85	44.6	38	12
DS84032	824 - 849	25	0.3	25	1.12:1	-20~85	30.75	25.4	8
DS84085	824 - 849	25	0.3	25	1.12:1	-20~85	30.75	25.4	8
DS83074*	825 - 835	25	0.25	25	1.12:1	-20~85	30.75	25.4	8
DS83093*	824 - 849	25	0.25	25	1.12:1	-20~85	30.75	25.4	8
DS88017	869 - 894	25	0.25	25	1.12:1	-20~85	30.75	25.4	8
DS88088	869 - 894	25	0.25	25	1.12:1	-20~85	30.75	25.4	8
DS88053*	869 - 894	25	0.25	25	1.12:1	-20~85	30.75	25.4	8
DS88094	869 - 894	25	0.25	25	1.12:1	-20~85	30.75	25.4	8
DS90089	880 - 915	25	0.25	25	1.12:1	-20~85	30.75	25.4	8
DS90090	880 - 915	25	0.25	25	1.12:1	-20~85	30.75	25.4	8
DS90075	880 - 915	25	0.25	25	1.12:1	-20~85	30.75	25.4	8
DS90095*	880 - 915	25	0.25	25	1.12:1	-20~85	30.75	25.4	8
DS94006	925-960	25	0.25	25	1.12:1	-20~85	30.75	25.4	8
DS94091	925-960	25	0.25	25	1.12:1	-20~85	30.75	25.4	8
DS94054*	880 - 915	25	0.25	25	1.12:1	-20~85	30.75	25.4	8
DS94096*	880 - 915	25	0.25	25	1.12:1	-20~85	30.75	25.4	8
DS18040	1805-1880	20	0.4	19.1	1.12:1	-20~85	25.4	19.05	6.35
DS18092	1805-1880	20	0.4	19.1	1.12:1	-20~85	25.4	19.05	6.35
DS18099*	1805-1880	20	0.4	19.1	1.12:1	-20~85	25.4	19.05	6.35
DS18104*	1805-1880	20	0.4	19.1	1.25:1	-20~85	25.4	19.05	6.35
DS19041	1930-1990	20	0.4	19.1	1.25:1	-20~85	25.4	19.05	6.35
DS19105	1930-1990	20	0.4	19.1	1.25:1	-20~85	25.4	19.05	6.35
DS19100*	1930-1990	20	0.4	19.1	1.25:1	-20~85	25.4	19.05	6.35
DS19115*	1930-1990	20	0.4	19.1	1.25:1	-20~85	25.4	19.05	6.35
DS21042	2080-2200	20	0.4	19.1	1.25:1	-20~85	25.4	19.05	6.35
DS21116	2080-2200	20	0.4	19.1	1.25:1	-20~85	25.4	19.05	6.35
DS21101*	2080-2200	20	0.4	19.1	1.25:1	-20~85	25.4	19.05	6.35
DS21117*	2080-2200	20	0.4	19.1	1.25:1	-20~85	25.4	19.05	6.35

- Notes: 1. Power handling, we can supply at 60W/80W/100W/150W per customer request.
 2. IMD designs with a typical specification at -56dBc Max @2*60W Fwd CW and other custom designs available.
 3. Storage temperature is -40°C to 125°C

Aeroflex Nanjing

Aeroflex Microelectronic Solutions

1st Floor, West Side, Factory B
 1706 Shuang Long Da Dao
 Jiangning Economic & Technological Development Zone
 Nanjing 211100 P.R.China

Phone: +86 25 52122735
 Fax: +86 25 52122775

www.aeroflex.com/microwave

Nanjing.sales@eroflex.com



Aeroflex Microelectronic Solutions (Nanjing) Co., Ltd., reserves the right to make changes to any products and services herein at any time without notice. Consult Aeroflex or an authorized sales representative to verify that the information in this data sheet is current before using this product. Aeroflex does not assume any responsibility or liability arising out of the application or use of any product or service described herein, except as expressly agreed to in writing by Aeroflex; nor does the purchase, lease, or use of a product or service from Aeroflex convey a license under any patent rights, copyrights, trademark rights, or any other of the intellectual rights of Aeroflex or of third parties.

Copyright 2006 Aeroflex Microelectronic Solutions (Nanjing) Co., Ltd. All rights reserved.



Our passion for performance is defined by three attributes represented by these three icons: solution-minded, performance-driven and customer-focused.