

ISO Series

Dual Junction Drop-in Isolator

 **RoHS**

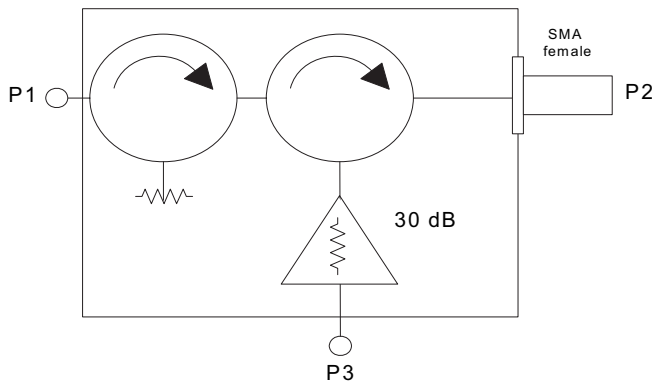
AEROFLEX
A passion for performance.



Description:

Drop-in isolators accommodate the major cellular applications. These devices offer a guaranteed specification at very competitive pricing. Devices are fully tested to handle shock, vibration, thermal shock and moisture, making them suitable for base station and other infrastructure environments. The isolator provides a non-reciprocal transmission path. The isolator uses ferrite material which in the presence of a magnetic field gives this nonreciprocal operation. As port 1 is the input port, energy reflected from port 2 is transmitted to a termination (dummy load) where it is dissipated as heat.

Schematic:



Features:

- Low cost
- Custom products available for high volume applications
- Good temperature stability
- Fully RoHS compliant
 - No beryllium oxide
 - No magnetic nickel in any of the components
- All metal surfaces in the isolator are corrosion resistant
- House: Stainless steel, steel, copper or aluminum (plated) Tab: Brass (plated)

Specifications:

Part Number	Frequency (MHz)	Input Power (W)	Reverse Power (W)	Insertion Loss maximum (dB)	Return Loss P1 MIN (dB)	Return Loss P2 MIN (dB)	Return Loss P3 MIN (dB)	Isolation MIN (dB)	Working Temp °C
ISO-800-02 CCW	864-899	200	150	0.4	26	21	18	45	-10 to +85
ISO-900-02 CCW	920-965	200	150	0.4	26	21	18	45	-10 to +85
ISO-1800-02 CCW	1805-1880	150	150	0.4	26	21	18	45	-10 to +85
ISO-1900-02 CCW	1925-1995	150	150	0.4	26	21	18	45	-10 to +85

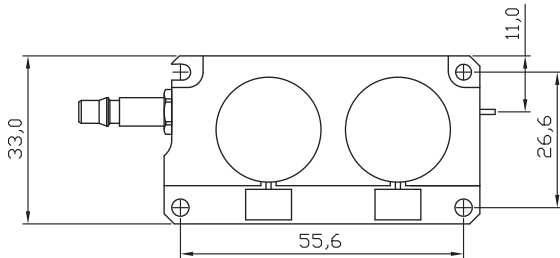
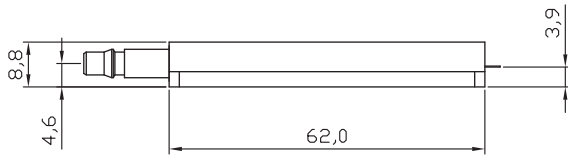
Note: 1. Power handling can be supplied at 80W/100W/150W/60W per customer request.
2. Storage temperature: -40°C to 125°C.

中国南京江宁技术开发区双龙大道 1706 号 B 厂房 1 层西侧邮编: 211100

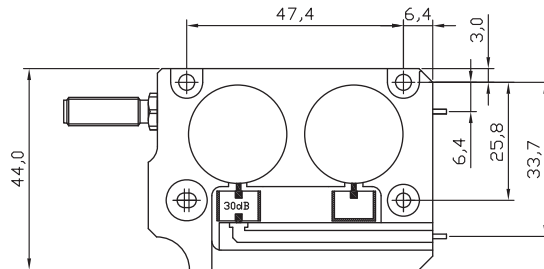
+86 25 52122735 • Fax: +86 25 52122775 • www.aeroflex.com/microwave • Nanjing.sales@aeroflex.com

Revision Date: 12/15/06

Outline Drawing:



2 Port



3 Port

Note: All dimensions are in mm.

Aeroflex Nanjing

Aeroflex Microelectronic Solutions

1st Floor, West Side, Factory B
1706 Shuang Long Da Dao
Jiangning Economic & Technological Development Zone
Nanjing 211100 P.R.China

Phone: +86 25 52122735

Fax: +86 25 52122775

www.aeroflex.com/microwave

Nanjing.sales@eroflex.com



Aeroflex Microelectronic Solutions (Nanjing) Co., Ltd., reserves the right to make changes to any products and services herein at any time without notice. Consult Aeroflex or an authorized sales representative to verify that the information in this data sheet is current before using this product. Aeroflex does not assume any responsibility or liability arising out of the application or use of any product or service described herein, except as expressly agreed to in writing by Aeroflex; nor does the purchase, lease, or use of a product or service from Aeroflex convey a license under any patent rights, copyrights, trademark rights, or any other of the intellectual rights of Aeroflex or of third parties.

Copyright 2006 Aeroflex Microelectronic Solutions (Nanjing) Co., Ltd. All rights reserved.



Our passion for performance is defined by three attributes represented by these three icons: solution-minded, performance-driven and customer-focused.