

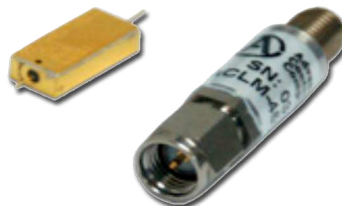
ACLM-4619F

Pin Diode Low Leakage Limiter



Features

- Low Insertion Loss
- Low Leakage Power Circuit Protection
- High CW Power Handling
- Hermetically Sealed Modules
- Assorted Package Styles
- Custom Designs Available



Specifications:

Parameter	Specification	Units
Frequency Range (min)	2.0 – 18.0	GHz
Peak Input Power (max)	100.0	W
CW Input Power (max)	2.0	W
Flat Leakage (CW Power) (max)	13.0	dBm
Insertion Loss (max)	2.4	dB
VSWR (max)	2.2:1	ratio

Notes:

Typically CW leakage is measured at mid-band with 1W input.
Higher power handling available. Contact the factory to discuss specific requirements.
Power handling is linearly derated from full power at +25°C to zero power at +150°C

Environmental Specifications:

Designed to meet:
MIL-E-5400, MIL-STD-202, MIL-E-16400
Operating Temp: -55°C to +125°C
Storage Temp: -65°C to +150°C
Humidity: MIL-STD-202F, M103, Cond B
Shock: MIL-STD-202F, M213, Cond B
Altitude: MIL-STD-202F, M105, Cond B
Vibration: MIL-STD-202F, M204, Cond B
Thermal Shock: MIL-STD-202F, M107, Cond A
Temperature Cycle: MIL-STD-202F, M105C, Cond D

SCREENING:

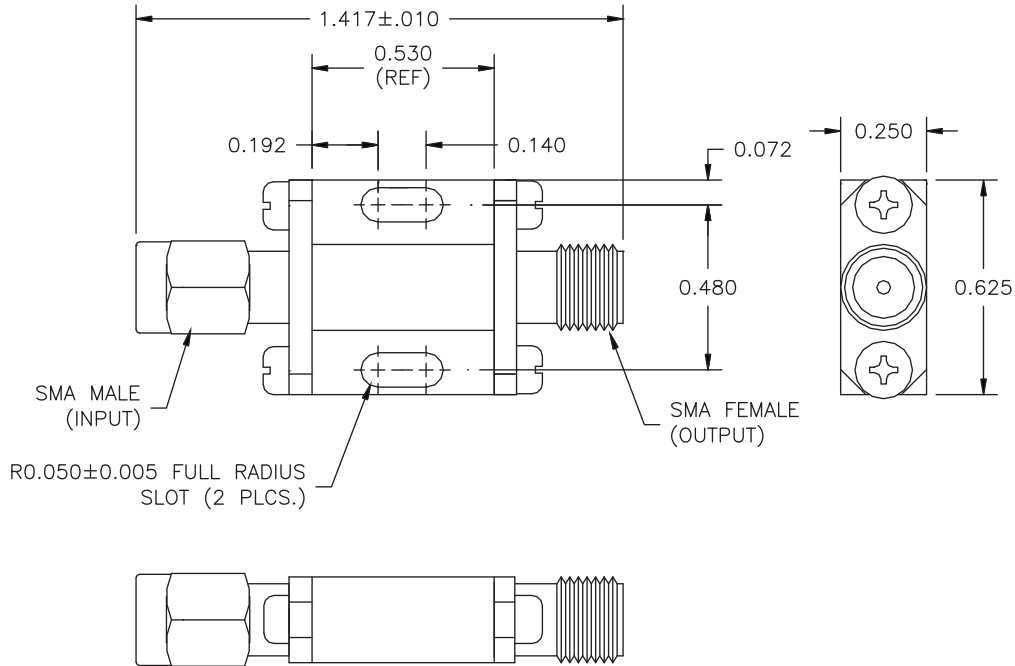
Internal Visual per MIL-STD-883, Method 2017
Temperature Cycle: -65°C to +100°C, 10 cycles

OPTIONAL HIGH-REL SCREENING (Ref MIL-PRF-38534):

Stabilization Bake per MIL-STD-883, Method 1008
Temperature Cycle per MIL-STD-883, Method 1010
Constant Acceleration per MIL-STD-883, Method 2001
Burn-in per MIL-STD-883, Method 1015
Leak Test per MIL-STD-883, Method 1014
External Visual per MIL-STD-883, Method 2009





40 Industrial Way East, Eatontown, NJ 07724 [USA]
Phone: (732) 460-0212, Fax: (732) 460-0214
www.aeroflex.com/acc, email: acc-sales@eroflex.com



STANDARD CASE STYLE C36
 (Optional Case Styles – C37, M22)

Part Number Ordering Information:

- Add desired case style suffix: "C36" (Ex: ACLM-4616FC36)
- Add "R" suffix: Reverse Connector Configuration (Ex: ACLM-4616FC36R) (SMA Female Input/SMA Male Output)
- Add "1K" suffix: High power handling version: (Ex: ACLM-4616FC36R1K)
- Add "-RC" suffix: RoHS-compliant (Ex: ACLM-4616FC36R1K-RC)

<p>Aeroflex Control Components Aeroflex Microelectronic Solutions 40 Industrial Way East Eatontown, NJ 07724 [USA] Fax: (732) 460-0214</p> <p>Sales Phone: (732) 460-0212 ACC-sales@aeroflex.com</p> <p>www.aeroflex.com/Microwave www.aeroflex.com/ACC</p>	<p>ISO 9001:2008 certified</p> 
<p>Aeroflex Control Components reserves the right to make changes to any products and services herein at any time without notice. Consult Aeroflex or an authorized sales representative to verify that the information in this data sheet is current before using this product. Aeroflex does not assume any responsibility or liability arising out of the application or use of any product or service described herein, except as expressly agreed to in writing by Aeroflex; nor does the purchase, lease, or use of a product or service from Aeroflex convey a license under any patent rights, copyrights, trademark rights, or any other of the intellectual rights of Aeroflex or of third parties.</p> <p>Copyright 2011 Aeroflex Control Components. All rights reserved.</p>	 <p>Our passion for performance is defined by three attributes represented by these three icons: solution-minded, performance-driven and customer-focused.</p>