

POWER DIVIDER, WILKINSON

2-Way SMA, up to 18 GHz, 10 Watts

RoHS
Compliant

SPECIFICATIONS:

Models: PD0001-S2, PD0102-S2, PD0002-S2, PD0204-S2, PD0004-S2,
PD0408-S2, PD0208-S2, PD0818-S2, PD0218-S2

Electrical: (See Table Below)

Frequency Range _____ Octave and Multi-Octave Ranges
to 18 GHz (See Below)
Input Power _____ 10 Watts Avg. @ 25°C
(For Load Mismatch of 2:1 Max.)
Impedance _____ 50 Ohms
Operating Temp. Range _____ -55°C to +85°C

Mechanical:

SMA Connectors _____ Passivated Stainless Steel
(Mates with MIL-STD-348)
Conductors _____ Gold Plated Beryllium Copper
Housing _____ Aluminum, Painted Blue

AEROFLEX
A passion for performance.

Model	Frequency (GHz)	Isolation (dB) Min	Insertion Loss (dB) Max*	Amplitude Balance (dB) Max	Phase Balance (°) Max	VSWR Max	Figure
PD0001-S2	0.5 - 1.0	22	0.25	0.20	2	1.20:1	1
PD0102-S2	1.0 - 2.0	22	0.25	0.20	3	1.25:1	2
PD0002-S2	0.8 - 2.5	20	0.40	0.20	3	1.30:1	3
PD0204-S2	2.0 - 4.0	20	0.30	0.20	4	1.30:1	2
PD0004-S2	0.5 - 4.0	20	0.70	0.20	4	1.30:1	4
PD0408-S2	4.0 - 8.0	20	0.40	0.20	4	1.30:1	5
PD0208-S2	2.0 - 8.0	20	0.40	0.20	4	1.35:1	6
PD0818-S2	8.0 - 18.0	20	0.60	0.30	5	1.40:1	5
PD0218-S2	2.0 - 18.0	17	1.00	0.30	5	1.50:1	7

*Above Splitter Insertion Loss

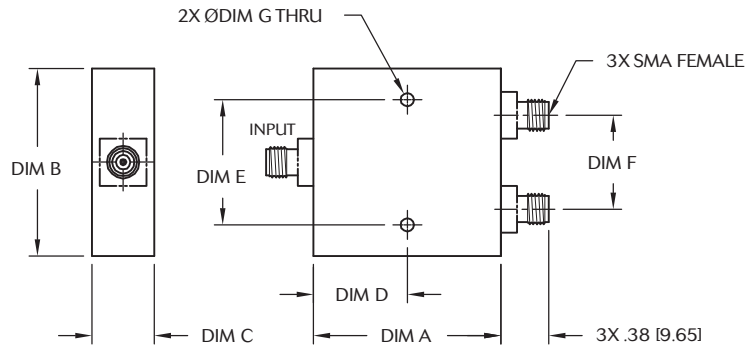


Figure	DIM A	DIM B	DIM C	DIM D	DIM E	DIM F	DIM G
1	1.50 [38.1]	2.50 [63.5]	0.50 [12.7]	0.53 [13.5]	2.31 [58.7]	1.00 [25.4]	.105 [2.67]
2	1.50 [38.1]	1.50 [38.1]	0.50 [12.7]	0.75 [19.1]	1.31 [33.3]	1.00 [25.4]	.105 [2.67]
3	1.89 [48.0]	1.89 [48.0]	0.47 [12.0]	0.94 [24.0]	1.69 [42.9]	0.67 [17.0]	.126 [3.20]
4	3.00 [76.2]	1.50 [38.1]	0.50 [12.7]	1.50 [38.1]	1.31 [33.3]	1.00 [25.4]	.105 [2.67]
5	1.00 [25.4]	1.00 [25.4]	0.50 [12.7]	0.50 [12.7]	0.64 [16.3]	0.50 [12.7]	.105 [2.67]
6	2.00 [50.8]	1.50 [38.1]	0.50 [12.7]	1.00 [25.4]	1.31 [33.3]	1.00 [25.4]	.105 [2.67]
7	1.62 [41.2]	1.00 [25.4]	0.38 [9.7]	0.75 [19.1]	0.85 [21.6]	0.50 [12.7]	.105 [2.67]

Note: Dimensions in Brackets are Expressed in Millimeters and are for Reference Only.
Design specifications are subject to change without notice.
Contact factory for technical specifications before purchasing or use.

PDXXXX-S2: REV C

AEROFLEX
INMET

Aeroflex / Inmet, Inc. • 300 Dino Drive, Ann Arbor, MI 48103 • U.S.A.
888-244-6638 or 734-426-5553 • FAX: 734-426-5557
www.aeroflex.com/inmet • inmet@aeroflex.com