

THE INFORMATION CONTAINED HEREIN IS CONSIDERED "PROPRIETARY" TO BEL FUSE INC. AND SHALL NOT BE COPIED, REPRODUCED OR DISCLOSED WITHOUT THE WRITTEN APPROVAL OF BEL FUSE INC.

LED3 POLARITY			LED4 POLARITY		
PIN 31	PIN 32	COLOR	PIN 33	PIN 34	COLOR
-	+	GREEN	+	-	YELLOW
-	+	GREEN	-	+	GREEN

RoHS
2002/95/EC



ELECTRICAL CHARACTERISTICS @ 25°C

TURNS RATIO

TP1	1CT : 1CT ±2%
TP2	1CT : 1CT ±2%
TP3	1CT : 1CT ±2%
TP4	1CT : 1CT ±2%

DCL @ 100kHz,100mVRMS

8mA DC BIAS 350 uH MIN.

INS. LOSS

100KHz TO 100MHz -1.1 dB MAX

RET. LOSS (MIN)

1MHZ-30MHZ -18 dB

30MHZ-60MHZ -16 dB

60MHZ-80MHZ -14 dB

80MHZ-100MHZ -12 dB

CM TO CM REJ

100kHz - 100MHz -25 dB TYP

CROSS TALK

1MHz - 60MHz -35 dB TYP

60MHz - 100MHz -25 dB TYP

HIPOT (Isolation Voltage): 1500 Vrms

LEAKAGE INDUCTANCE

PRIMARY W/ SECONDARY SHORTED 0.3uH Max. @ 1MHz

INTERWINDING CAPACITANCE

PER CHANNEL (PRI. TO SEC.) 50pF Max @ 1MHz

DC RESISTANCE

(13-6)=(5-11)=(10-3)=(2-8) 1.2 ohms Max

(RJ1-RJ2)=(RJ3-RJ6)=(RJ4-RJ5)=(RJ7-RJ8) 1.2 ohms Max

LED 3 (Super bright)

VF (FORWARD VOLTAGE) IF=20mA GREEN 2.2V TYP.

λD (DOMINANT WAVELENGTH) IF=20mA GREEN 565nm TYP.

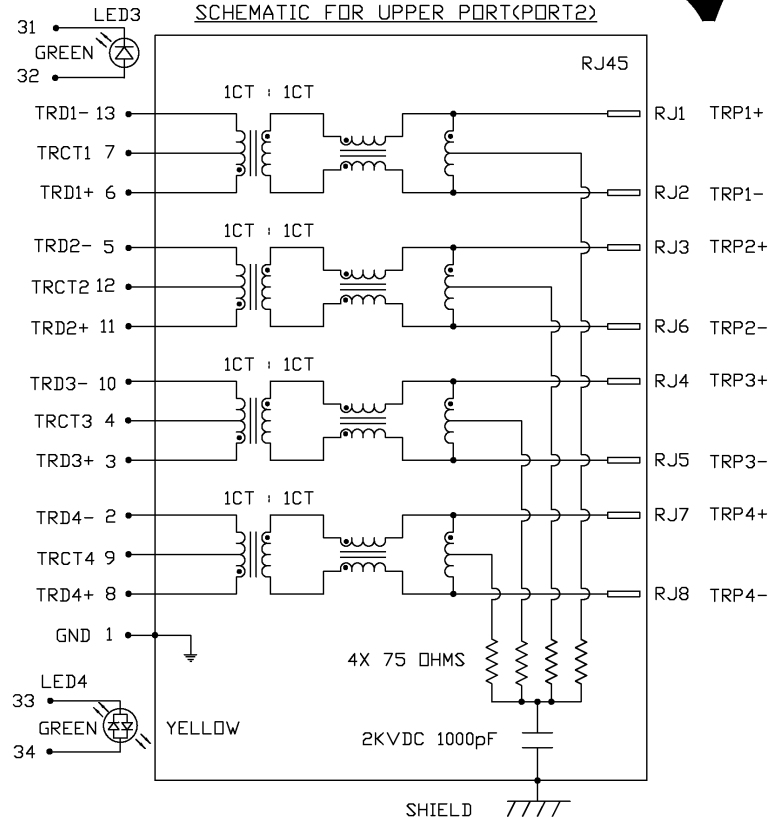
LED 4 (Super bright)

VF (FORWARD VOLTAGE) IF=20mA GREEN 2.2V TYP.

λD (DOMINANT WAVELENGTH) IF=20mA YELLOW 2.1V TYP.

λD (DOMINANT WAVELENGTH) IF=20mA GREEN 565nm TYP.

λD (DOMINANT WAVELENGTH) IF=20mA YELLOW 590nm TYP.

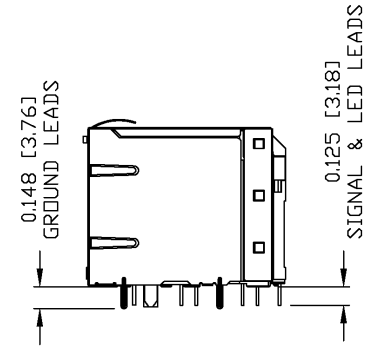
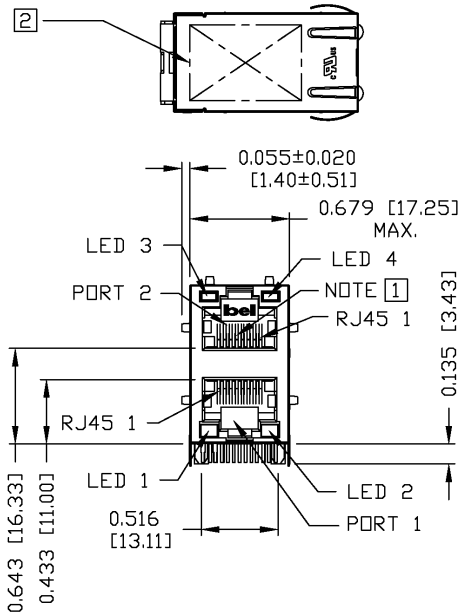
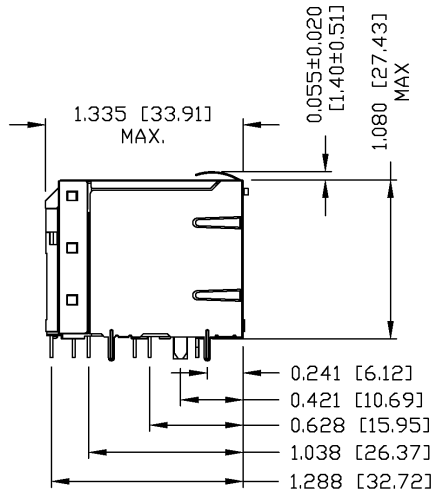


ORIGINATED BY	DATE	TITLE	PART NO. / DRAWING NO.	STANDARD DIM. TOL. IN INCH	[] METRIC DIM. AS REFERENCE
CHUNG	12-14-05	2X1 gigabit MagJack® (with LED)	0845-2R1T-E4	.X	UNIT : INCH [mm]
DRAWN BY	DATE		FILE NAME	.XX	SCALE : N/A
DE	12-14-05		08452R1TE4D.DWG	.XXX	SIZE : A4
					PAGE : 3



THE INFORMATION CONTAINED HEREIN IS CONSIDERED "PROPRIETARY" TO BEL FUSE INC. AND SHALL NOT BE COPIED, REPRODUCED OR DISCLOSED WITHOUT THE WRITTEN APPROVAL OF BEL FUSE INC.

RoHS
2002/95/EC



NOTES:

PLASTIC HOUSING: THERMOPLASTIC PBT
 FLAMMABILITY RATING UL 94V-0
 CONTACT PLATING: 50 MICRD-INCH HARD GOLD PLATING
 OUTPUT PINS: TIN-COATED COPPER WIRE, DIA 0.018 INCH.
 METAL SHIELD: NICKEL PLATED ON COPPER ALLOY.
 (ALL GROUND LEADS ARE SOLDER DIPPED)

RoHS COMPLIANCE, PER EU DIRECTIVE 2002/95/EC.

1. JACK CAVITY CONFORMS TO FCC RULES AND REGULATIONS, PART 68 SUBPART F.

2. MARK PART WITH MFG LOGO, MFG NAME, PART NUMBER, AND DATE CODE.

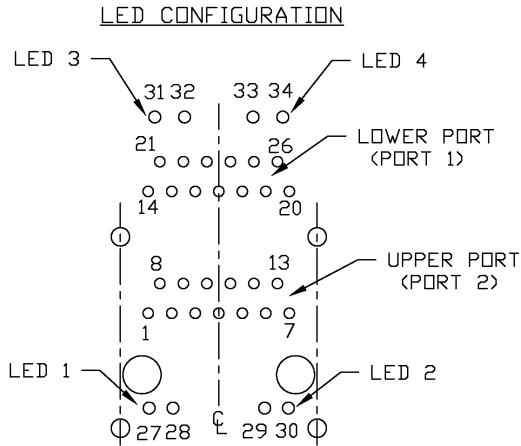
UL US UL RECOGNIZED - FILE #E196366 AND E169987.

ORIGINATED BY	DATE	TITLE	PART NO. / DRAWING NO.	STANDARD DIM. TOL. IN INCH	[] METRIC DIM. AS REFERENCE
BILL \ KEUNG	12-14-05	2X1 gigabit MagJack® (with LED)	0845-2R1T-E4	.X	UNIT : INCH [mm] REV. : D
DRAWN BY	DATE		FILE NAME	.XX	SCALE : N/A SIZE : A4
QIN	12-14-05		08452R1TE4D.DWG	.XXX ±0.010	PAGE : 4

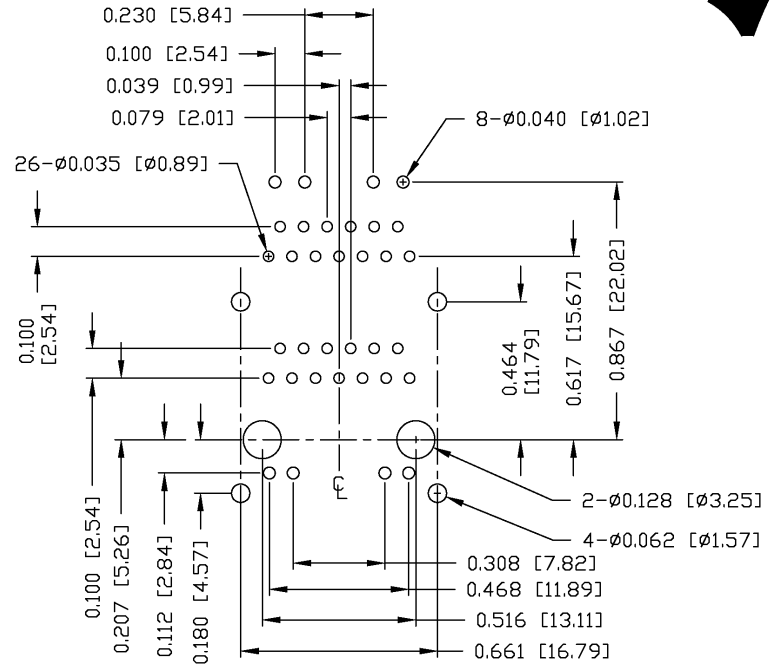


THE INFORMATION CONTAINED HEREIN IS CONSIDERED "PROPRIETARY" TO BEL FUSE INC. AND SHALL NOT BE COPIED, REPRODUCED OR DISCLOSED WITHOUT THE WRITTEN APPROVAL OF BEL FUSE INC.

RoHS
2002/95/EC



PIN-OUT INFORMATION
 (COMPONENT SIDE VIEW)
 (SCALE 2:1)

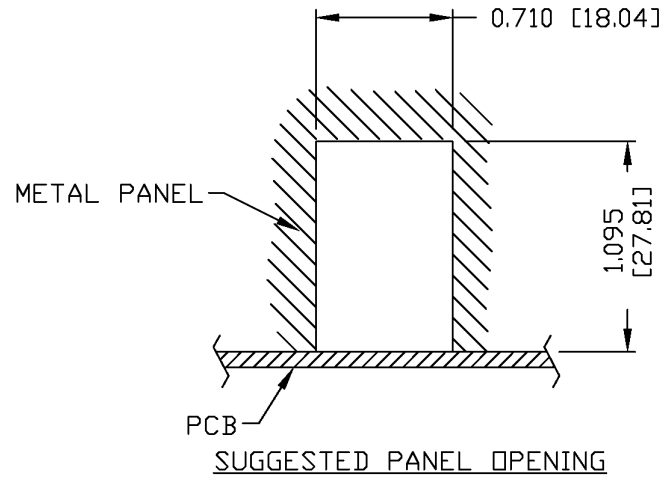
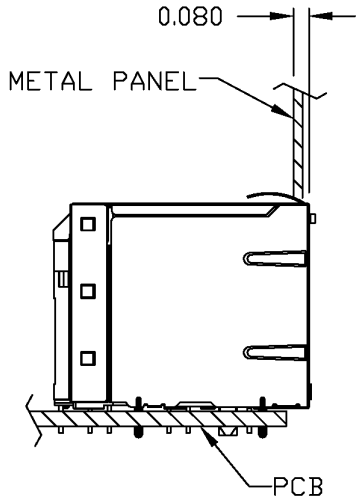


SUGGESTED FOOTPRINT
 (COMPONENT SIDE VIEW)
 (SCALE 2:1)

ORIGINATED BY BILL\KEUNG	DATE 12-14-05	TITLE 2X1 gigabit MagJack® (with LED)	PART NO. / DRAWING NO. 0845-2R1T-E4	STANDARD DIM. TOL. IN INCH	[] METRIC DIM. AS REFERENCE
	DRAWN BY QIN		DATE 12-14-05	FILE NAME 08452R1TE4D.DWG	.X .XX .XXX ±0.004
					REV. : D SIZE : A4 PAGE : 5



THE INFORMATION CONTAINED HEREIN IS CONSIDERED 'PROPRIETARY' TO BEL FUSE INC. AND SHALL NOT BE COPIED, REPRODUCED OR DISCLOSED WITHOUT THE WRITTEN APPROVAL OF BEL FUSE INC.



NOTE:
 THE DISTANCE OF PANEL INSIDE SURFACE RELATIVE TO FRONT SURFACE OF PART IS ONLY A SUGGESTION. IN CASE THIS DISTANCE IS DIFFERENT, THE REQUIRED PANEL OPENING DIMENSIONS CHANGE ACCORDINGLY.

PACKING INFORMATION

PACKING TRAY: 0200-9999-H5 (TOP)
 0200-9999-H6 (BOTTOM)

PACKING QUANTITY: 40 PCS FINISHED GOODS PER TRAY
 6 TRAYS (240 PCS FINISHED GOODS) PER CARTON BOX.

NOTE: CARDBOARD ARE PLACED BETWEEN LAYERS OF PACKING TRAY INSIDE CARTON BOX.
 (INCLUDE THE UPPERMOST AND LOWEREST TRAY)

ORIGINATED BY BILL\KEUNG	DATE 12-14-05	TITLE 2X1 gigabit MagJack® (with LED)	PART NO. / DRAWING NO. 0845-2R1T-E4		STANDARD DIM. TOL. IN INCH		[] METRIC DIM. AS REFERENCE	
	DRAWN BY QIN		DATE 12-14-05	FILE NAME 08452R1TE4D.DWG		.X .XX .XXX	±0.004	UNIT : INCH [mm] SCALE : N/A REV. : D SIZE : A4 PAGE : 6

