

# TERMINATIONS

7/16 - DIN, up to 6 GHz, 100 Watts

## SPECIFICATIONS:

Models: TDXXXM-100W & TDXXXF-100W

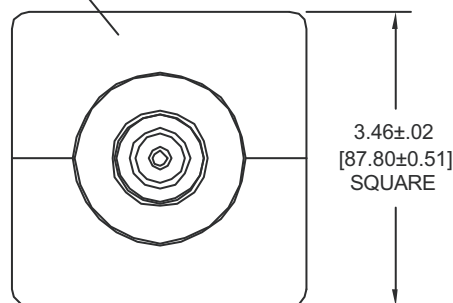
**RoHS**  
Compliant

**Electrical:**  
 Frequency Range \_\_\_\_\_ DC - 6.0 GHz  
 Standard Freq. Values \_\_\_\_\_ 2.5 & 6 GHz  
 VSWR  
 DC - 1.5 GHz \_\_\_\_\_ 1.25:1 Max.  
 1.5 - 2.5 GHz \_\_\_\_\_ 1.35:1 Max.  
 2.5 - 6.0 GHz \_\_\_\_\_ 1.45:1 Max.  
 Input Power \_\_\_\_\_ 100 Watts Avg.  
 \_\_\_\_\_ Derated Linearly to 20 Watts @ +125°C  
 Peak Power \_\_\_\_\_ 1 kW Max.  
 \_\_\_\_\_ (5uSec Pulse, .05% Duty Cycle)  
 Impedance \_\_\_\_\_ 50 Ohms  
 Operating Temp Range \_\_\_\_\_ -55°C to +125°C

**Mechanical:**  
 7/16 - DIN Connectors \_\_\_\_\_ Silver or White Bronze Plated Brass  
 \_\_\_\_\_ Mates with DIN 47 223  
 Conductors \_\_\_\_\_ Silver or White Bronze Plated Beryllium Copper  
 Housing \_\_\_\_\_ Anodized Aluminum

**AEROFLEX**  
A passion for performance.

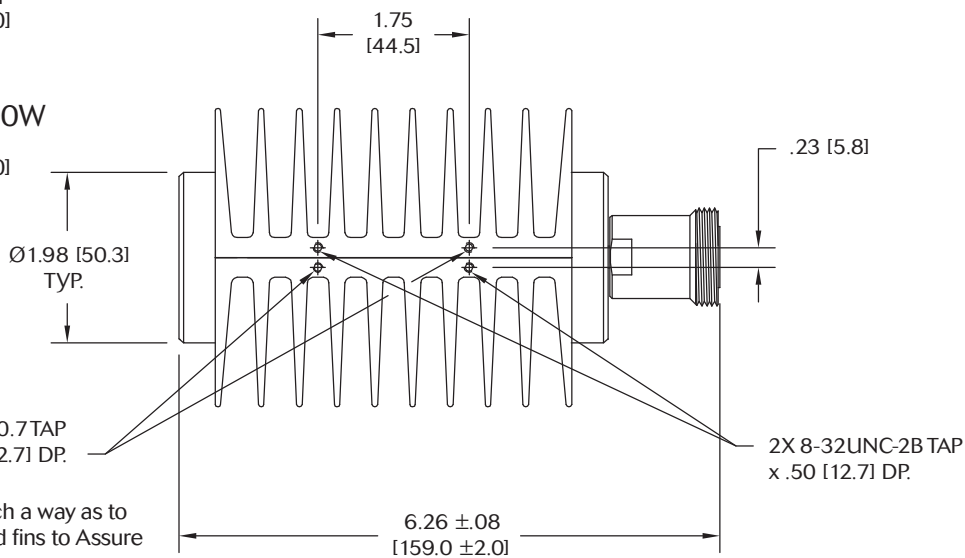
Custom Mtg. hole Config.  
may be Added to this  
Surface.



**END VIEW  
TYPICAL**

Model Number: TDXXXF-100W  
 7/16 - DIN Female Connector  
 Length: 6.26 ± 0.08 [159.0 ± 2.0]  
 Pictured

Model Number: TDXXXM-100W  
 7/16 - DIN Male Connector  
 Length: 6.12 ± 0.08 [155.4 ± 2.0]



Units must be Mounted in such a way as to  
 Allow for Free Air Flow Around fins to Assure  
 Performance

## HOW TO ORDER:

Model Number: **TDXXXy-100W**

Freq. Range      Connector Configuration  
 020 = DC - 2.5 GHz      F = Female  
 060 = DC - 6 GHz      M = Male

## Ordering Examples:

Model Number: **TD020M-100W**  
 DC - 2.5 GHz, 7/16 DIN Male CONN.

Model Number: **TD060F-100W**  
 DC - 6.0 GHz, 7/16 DIN Female CONN.

Note: Dimensions in Brackets are Expressed in Millimeters and are for Reference Only.  
 Design specifications are subject to change without notice.  
 Contact factory for technical specifications before purchasing or use.

TDXXXy-100W: REV J

**AEROFLEX**  
INMET

Aeroflex / Inmet, Inc. • 300 Dino Drive, Ann Arbor, MI 48103 • U.S.A.  
 888-244-6638 or 734-426-5553 • FAX: 734-426-5557  
 www.aeroflex.com/inmet • inmet-sales@eroflex.com