

TERMINATIONS

7/16 DIN, DC - 4.0 GHz, 150 Watts

SPECIFICATIONS:

Models: TDXXXM - 150W & TDXXXF - 150W

RoHS
Compliant

AEROFLEX
A passion for performance.

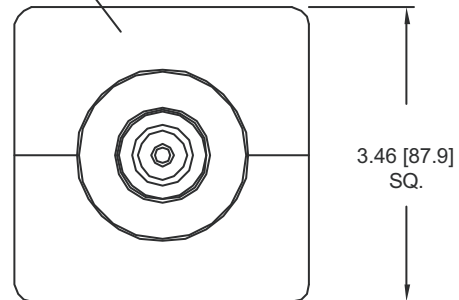
Electrical:

Frequency Range _____ DC - 4.0 GHz
 Standard Freq. Values _____ 2.5 & 4 GHz
 VSWR
 DC - 1.5 GHz _____ 1.15:1 Max.
 1.5 - 2.5 GHz _____ 1.30:1 Max.
 2.5 - 4.0 GHz _____ 1.40:1 Max.
 Input Power _____ 150 Watts Avg. @ +25°C
 Derated Linearly to 30 Watts @ +125°C
 Peak Power _____ 2 kW Max.
 (5uSec Pulse, .05% Duty Cycle)
 Impedance _____ 50 Ohms
 Operating Temp Range _____ -55°C to +125°C

Mechanical:

7/16 - DIN Connectors _____ Silver pr White Bronze Plated Brass
 Mates with DIN 47 223
 Conductors _____ Silver or White Bronze Plated Beryllium Copper
 Housing _____ Anodized Aluminum

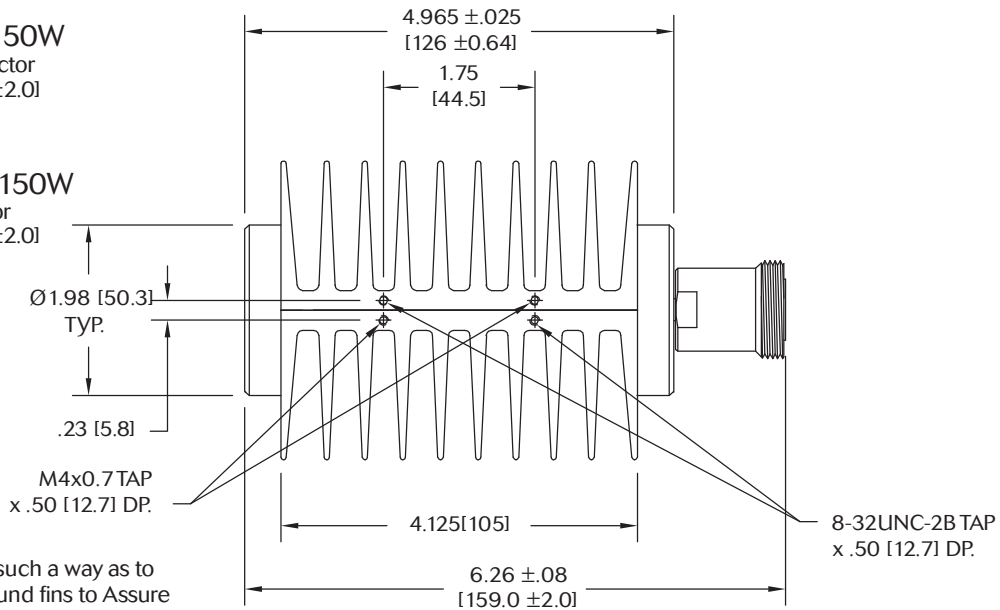
Custom Mtg. hole Config.
may be Added to this
Surface.



END VIEW
TYPICAL

Model Number: TDXXXF-150W
 DIN - 7/16 Female Connector
 Length: 6.26±.08 [159.0 ±2.0]
 Pictured

Model Number: TDXXXM-150W
 DIN - 7/16 Male Connector
 Length: 6.12 ±.08 [155.4 ±2.0]



Units must be Mounted in such a way as to
Allow for Free Air Flow Around fins to Assure
Performance

HOW TO ORDER:

Model Number: **TDXXXV-150W**

Freq. Range | Connector Configuration
 020 = DC - 2.5 GHz | F = Female
 040 = DC - 4 GHz | M = Male

Ordering Examples:

Model Number: **TD040M-150W**
 DC - 4 GHz, 7/16 - DIN Male CONN.

Model Number: **TD020F-150W**
 DC - 2.5 GHz, 7/16 - DIN Female CONN.

Note: Dimensions in Brackets are Expressed in Millimeters and are for Reference Only.
 Design, specifications are subject to change without notice. Contact factory for technical
 specifications before purchasing and/or use.

TDXXX-150W: REV J



Aeroflex / Inmet, Inc. • 300 Dino Drive, Ann Arbor, MI 48103 • U.S.A.
 888-244-6638 or 734-426-5553 • FAX: 734-426-5557
 www.aeroflex.com/inmet • inmet@aeroflex.com