

TERMINATIONS

TNC, DC - 4.0 GHz, 150 Watts

SPECIFICATIONS:

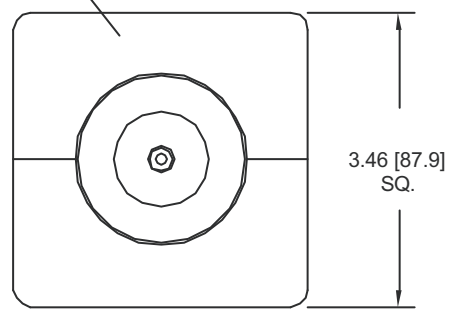
Models: TTXXXM - 150W & TTXXXF - 150W

RoHS
Compliant

Electrical:	
Frequency Range _____	DC - 4.0 GHz
Standard Freq. Values _____	2.5 & 4 GHz
VSWR	
DC - 1.5 GHz _____	1.15:1 Max.
1.5 - 2.5 GHz _____	1.25:1 Max.
2.5 - 4.0 GHz _____	1.35:1 Max.
Input Power _____	150 Watts Avg. @ +125°C
	Derated Linearly to 30 Watts @ +125°C
Peak Power _____	2 kW Max.
	(5uSec Pulse, .05% Duty Cycle)
Impedance _____	50 Ohms
Operating Temp Range _____	-55°C to +125°C
Mechanical:	
TNC Connectors* _____	Passivated Stainless Steel
	Mates with MIL-STD-348
Conductors _____	Gold Plated Beryllium Copper
Housing _____	Anodized Aluminum
* TNC Connectors are 18 GHz Mode Free.	



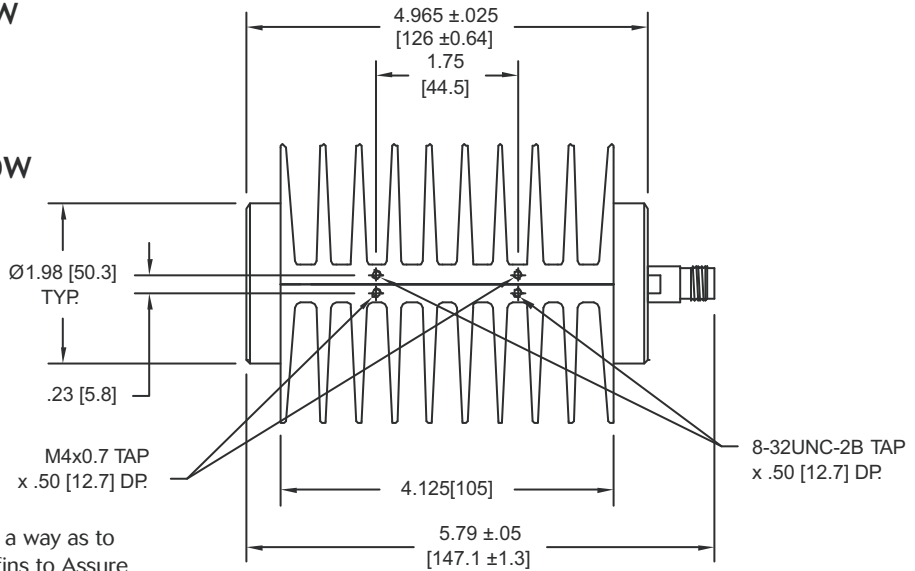
Custom Mtg. hole Config. may be Added to this Surface.



END VIEW
TYPICAL

Model Number: **TTXXXF-150W**
TNC Female Connector
Length: 5.79 ±0.05 [147.1 ±1.3]
Pictured

Model Number: **TTXXXM-150W**
TNC Male Connector
Length: 5.70 ±0.05 [144.8 ±1.3]



Units must be Mounted in such a way as to Allow for Free Air Flow Around fins to Assure Performance

HOW TO ORDER:

Model Number: **TTXXXy-150W**

Freq. Range 020 = DC - 2.5 GHz 040 = DC - 4 GHz	Connector Configuration F = Female M = Male
---	---

Ordering Examples:

Model Number: **TT040M-150W**
DC - 4 GHz, TNC Male CONN.

Model Number: **TT020F-150W**
DC - 2.5 GHz, TNC Female CONN.

Note: Dimensions in Brackets are Expressed in Millimeters and are for Reference Only. Design, specifications are subject to change without notice. Contact factory for technical specifications before purchasing and/or use.

TTXXX-150W: REV G



Aeroflex / Inmet, Inc. • 300 Dino Drive, Ann Arbor, MI 48103 • U.S.A.
888-244-6638 or 734-426-5553 • FAX: 734-426-5557
www.aeroflex.com/inmet • inmet@aeroflex.com