

# TERMINATIONS

SMA, up to 4.0 GHz, 300 Watts

## SPECIFICATIONS:

Models: TSXXXM-300W & TSXXXF-300W

**RoHS**  
Compliant

**AEROFLEX**  
A passion for performance.

### Electrical:

Frequency Range \_\_\_\_\_ DC - 4.0 GHz  
 Standard Freq. Values \_\_\_\_\_ 2.5 & 4 GHz  
 VSWR  
 DC - 1.5 GHz \_\_\_\_\_ 1.15:1 Max.  
 1.5 - 2.5 GHz \_\_\_\_\_ 1.25:1 Max.  
 2.5 - 4.0 GHz \_\_\_\_\_ 1.35:1 Max.  
 Input Power \_\_\_\_\_ 300 Watts Avg. @ 25°C  
 \_\_\_\_\_ Derated Linearly to 60 Watts @ +125°C  
 Peak Power \_\_\_\_\_ 2 kW Max.  
 \_\_\_\_\_ (5uSec Pulse, .05% Duty Cycle)  
 Impedance \_\_\_\_\_ 50 Ohms  
 Operating Temp. Range \_\_\_\_\_ -55°C to +125°C

### Mechanical:

SMA Connectors \_\_\_\_\_ Passivated Stainless Steel  
 \_\_\_\_\_ Mates with MIL-STD-348  
 Conductors \_\_\_\_\_ Gold Plated Beryllium Copper  
 Housing \_\_\_\_\_ Anodized Aluminum

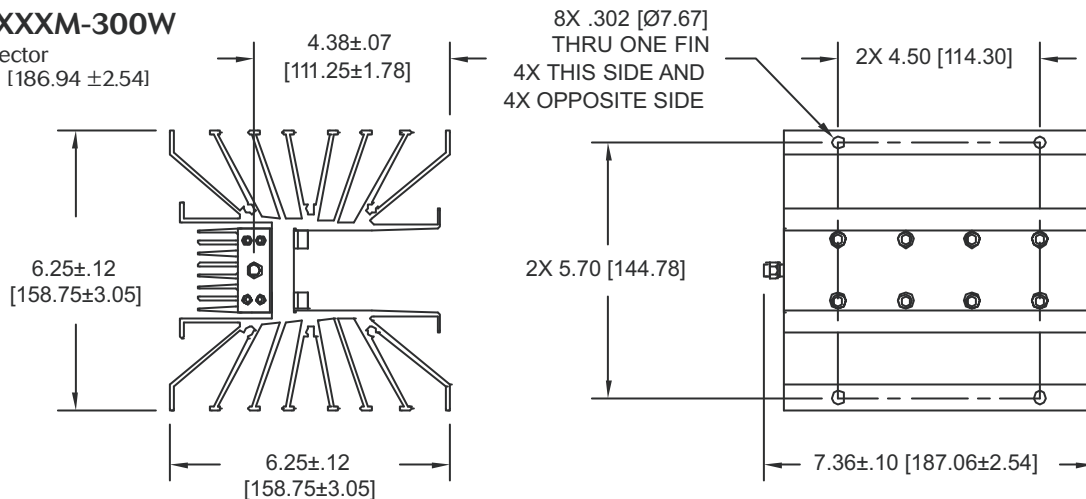
Units must be Positioned in such a way as to Allow for Free Air Flow Around fins to Assure Performance

Model Number: **TSXXXF-300W**

SMA Female Connector  
 Length: 7.24 ±.10 [183.9 ±2.54]

Model Number: **TSXXXM-300W**

SMA Male Connector  
 Length: 7.36 ±.10 [186.94 ±2.54]  
 Pictured



## HOW TO ORDER:

Model Number: **TSXXXY-300W**

Freq. Range | Connector Configuration  
 010 = DC - 1.5 GHz | F = Female  
 020 = DC - 2.5 GHz | M = Male  
 030 = DC - 3 GHz

## Ordering Examples:

Model Number: **TS030M-300W**  
 DC - 3 GHz, SMA Male CONN.

Model Number: **TS020F-300W**  
 DC - 2.5 GHz, SMA Female CONN.

Note: Dimensions in Brackets are Expressed in Millimeters and are for Reference Only.  
 Design, specifications are subject to change without notice. Contact factory for technical specifications before purchasing and/or use.

TSXXX-300W: REV C

**AEROFLEX**  
INMET

Aeroflex / Inmet, Inc. • 300 Dino Drive, Ann Arbor, MI 48103 • U.S.A.  
 888-244-6638 or 734-426-5553 • FAX: 734-426-5557  
 www.aeroflex.com/inmet • inmet@aeroflex.com